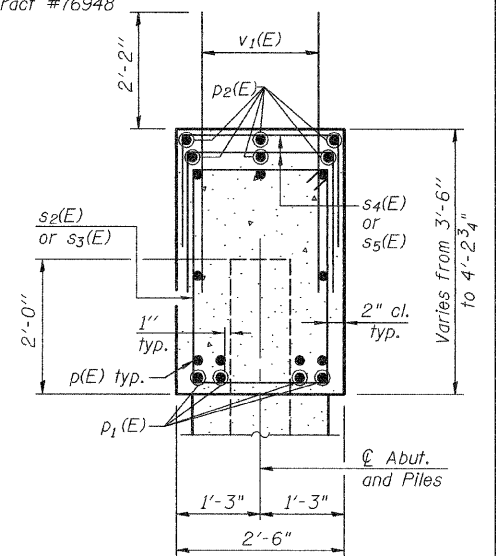
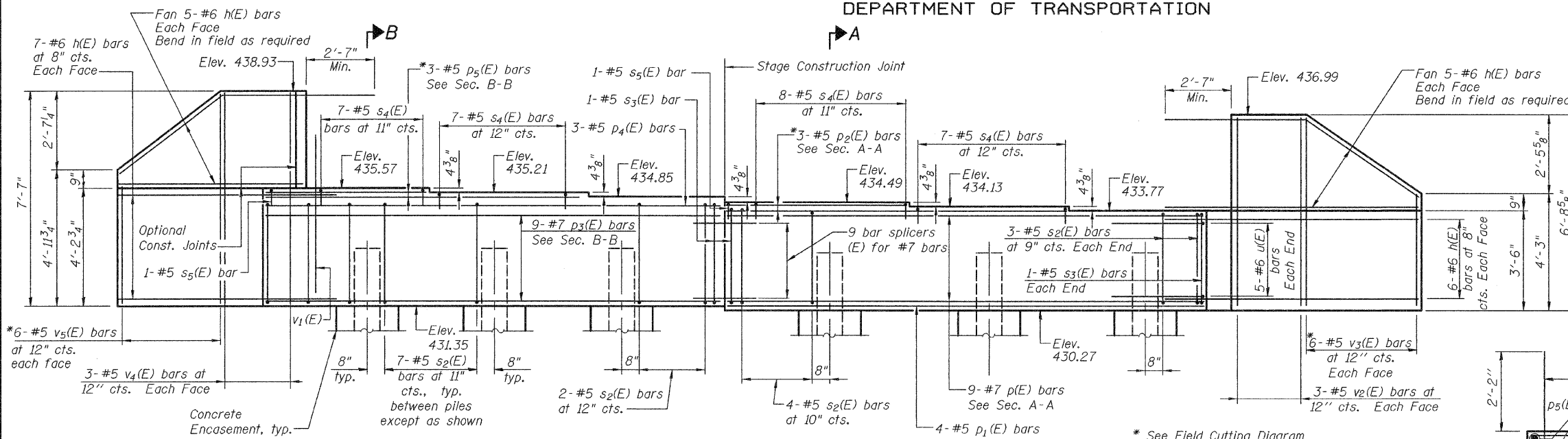


Notes: Four steps monolithically with cap.
Space reinforcement in cap to miss anchor bolts.

STATE OF ILLINOIS
DEPARTMENT OF TRANSPORTATION

ROUTE NO.	SECTION	COUNTY	TOTAL SHEETS	SHEET NO.	SHEET NO. 19
F.A.P. 304	5BR-2	CALHOUN	48	43	28 SHEETS
FED. ROAD DIST. NO. 7	ILLINOIS	FED. AID PROJECT-			

Contract #76948



SEC. A-A

BILL OF MATERIAL

Bar	No.	Size	Length	Shape
h(E)	46	#6	11'-7"	—
p(E)	9	#7	20'-6"	—
p1(E)	4	#5	20'-6"	—
p2(E)	3	#5	21'-2"	—
p3(E)	9	#7	19'-3"	—
p4(E)	3	#5	19'-3"	—
p5(E)	3	#5	19'-2"	—
s2(E)	40	#5	11'-7"	□
s3(E)	4	#5	12'-1"	□
s4(E)	29	#5	6'-6"	□
s5(E)	2	#5	6'-9"	□
u(E)	10	#6	9'-5"	└
v1(E)	82	#5	4'-4"	—
v2(E)	6	#5	6'-5"	—
v3(E)	6	#5	10'-3"	—
v4(E)	6	#5	7'-3"	—
v5(E)	6	#5	11'-9"	—

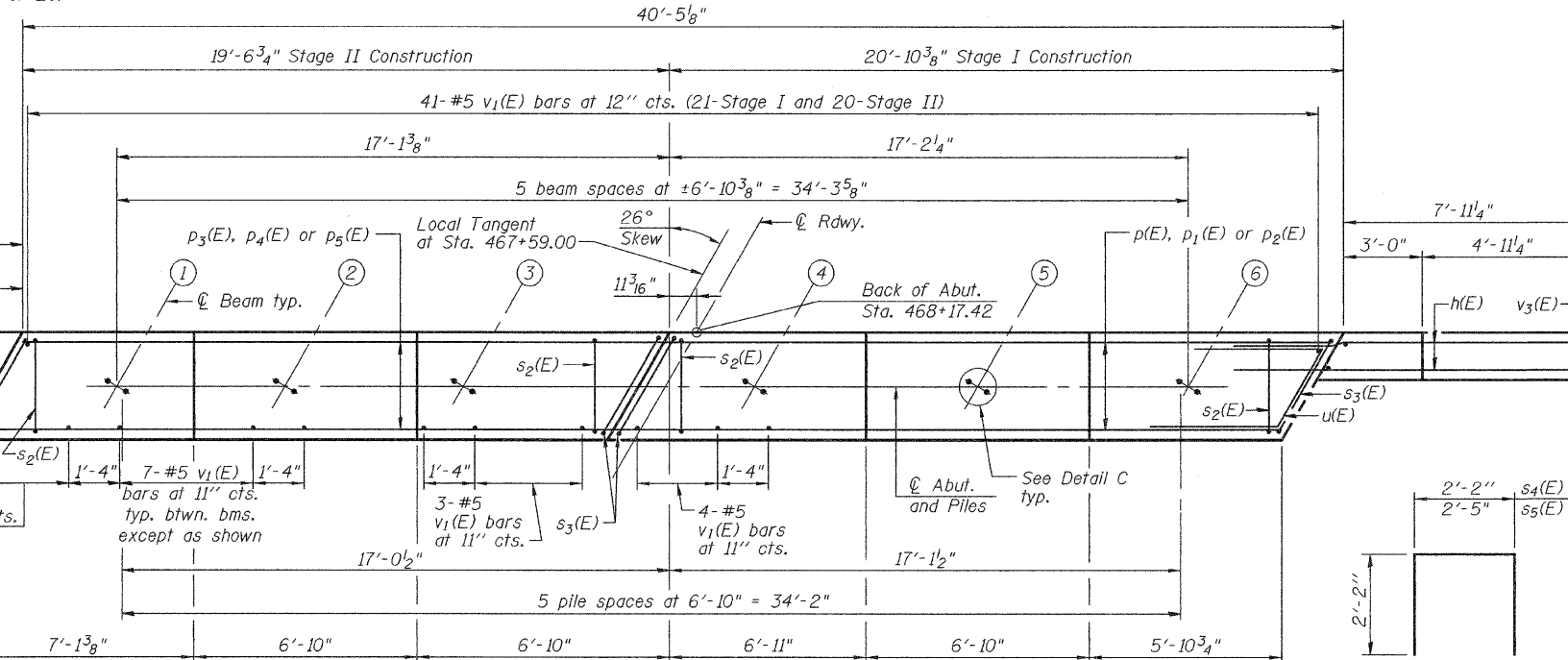
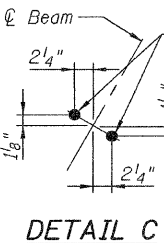
Structure Excavation	Cu. Yd.	158
Concrete Structures	Cu. Yd.	18.5
Reinforcement Bars, Epoxy Coated	Pound	3,290
Furnishing Steel Piles HP 12x53	Foot	310
Driving Piles	Foot	310
Test Pile Steel HP 12x53	Each	1
Concrete Encasement	Cu. Yd.	2.1

For details of Bar Splicers, see Sheet No. 24 of 28.

For details of piles and Concrete Encasement, see Sheet No. 23 of 28.

NORTH ABUTMENT DETAILS

IL. ROUTE 100 OVER
CRAWFORD CREEK
F.A.P. ROUTE 304 - SECTION 5BR-2
CALHOUN COUNTY
STATION 467+59.00
STRUCTURE NO. 007-0027

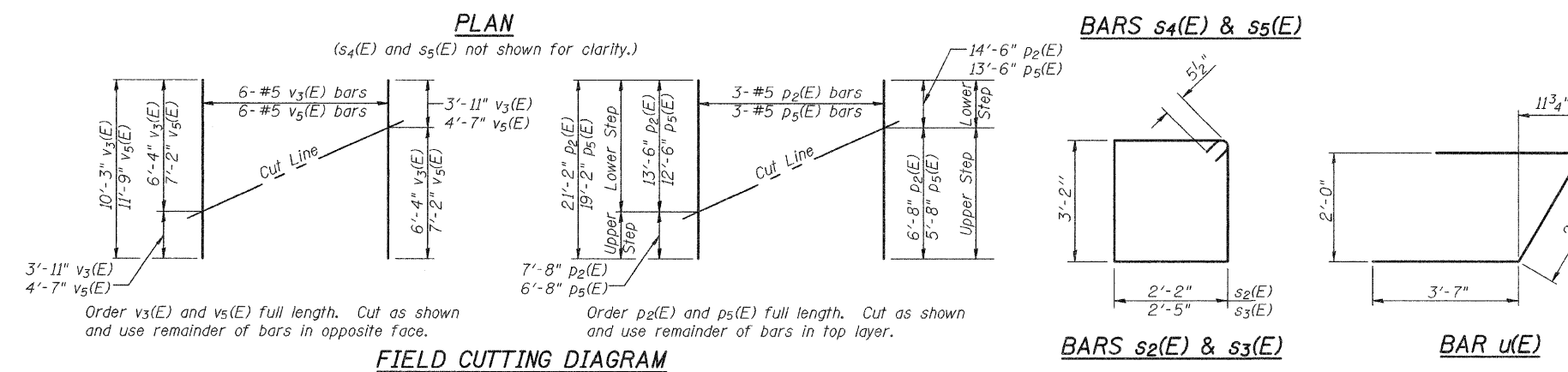


PLAN

PILE DATA

Type: Steel HP 12x53
Nominal Required Bearing: 340 kips
Factored Resistance Available: 170 kips
Est. Length: 62 ft
No. Production Piles: 5
No. Test Piles: 1

DESIGNED	YSS
CHECKED	RLM
DRAWN	AEC
CHECKED	YSS



FIELD CUTTING DIAGRAM

02/27/08