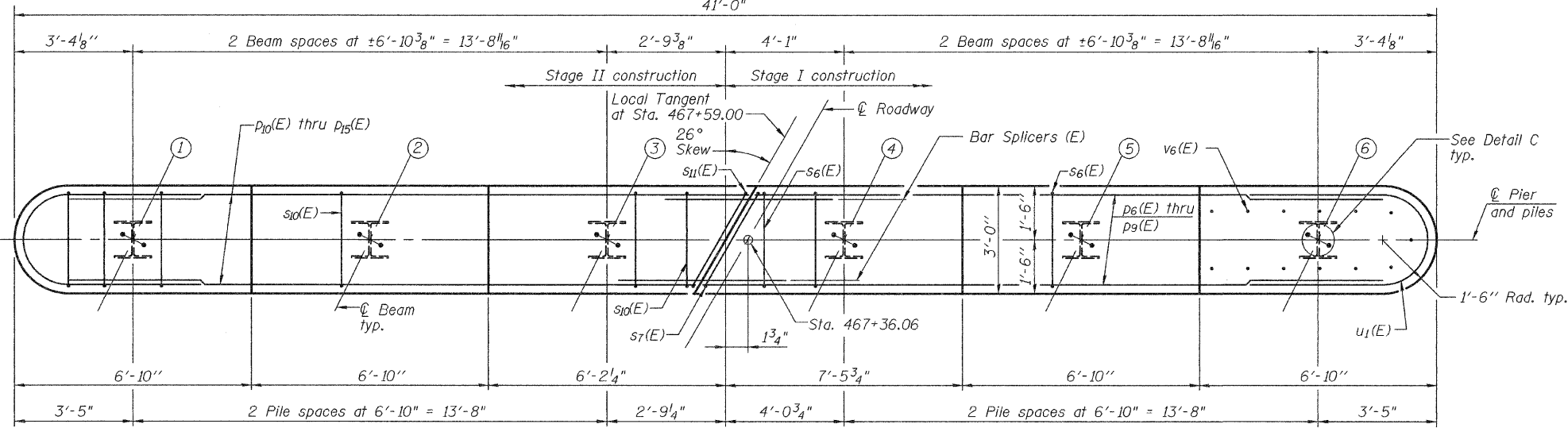
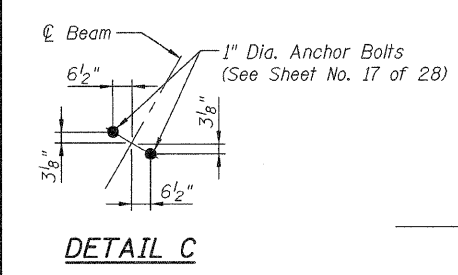


STATE OF ILLINOIS  
DEPARTMENT OF TRANSPORTATION

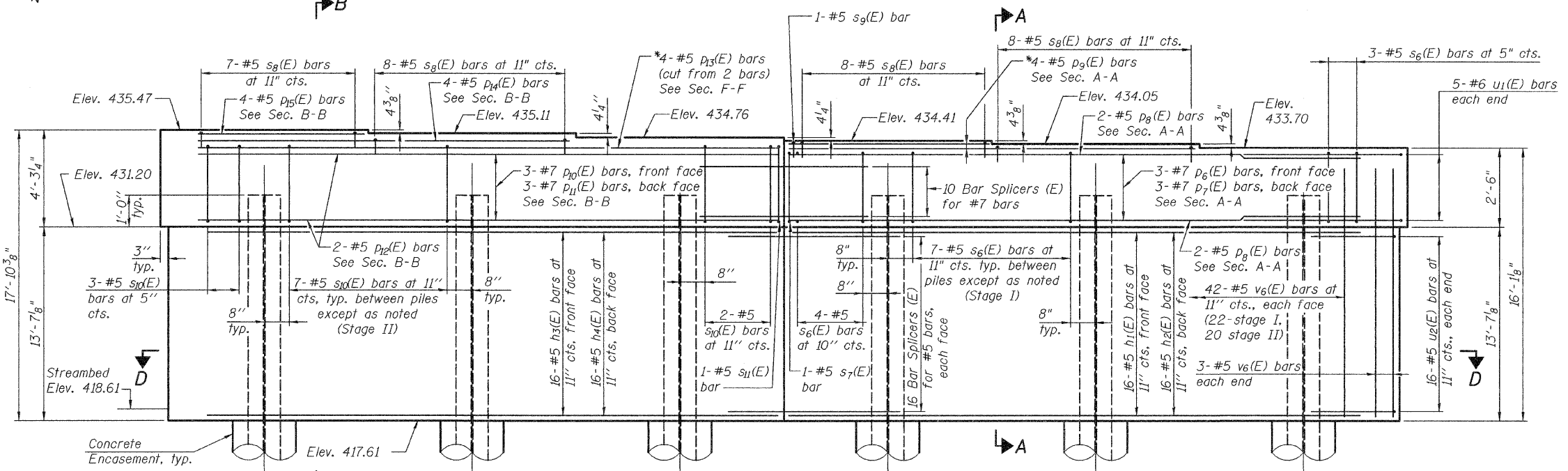
ROUTE NO.	SECTION	COUNTY	TOTAL SHEETS	SHEET NO.	SHEET NO. 20
F.A.P. 304	5BR-2	CALHOUN	68	44	28 SHEETS
FED. ROAD DIST. NO. 7	ILLINOIS	FED. AID PROJECT-			

Contract #76948

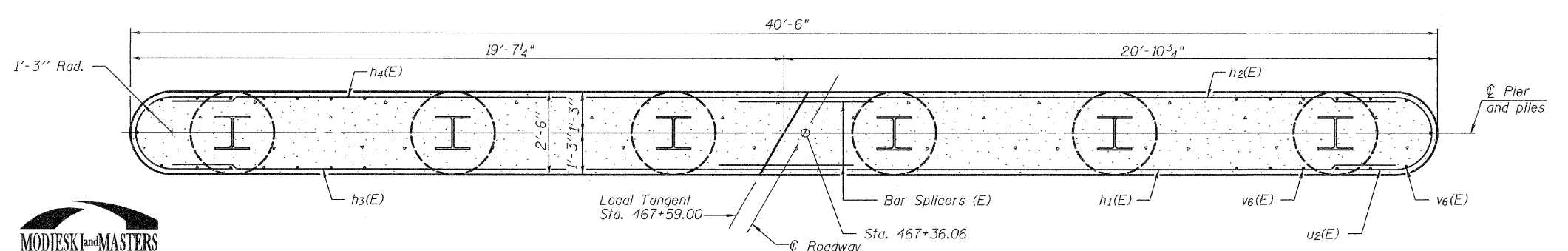
Notes:  
Pour steps monolithically with cap.  
Space reinforcement in cap to miss anchor bolts.



TOP PLAN  
(s8(E) and s9(E) not shown for clarity)



ELEVATION  
(Looking North)



SECTION D-D

BILL OF MATERIAL

Bar	No.	Size	Length	Shape
h1(E)	16	#5	20'-0"	—
h2(E)	16	#5	19'-0"	—
h3(E)	16	#5	17'-9"	—
h4(E)	16	#5	18'-9"	—
p6(E)	3	#7	20'-1"	—
p7(E)	3	#7	18'-11"	—
p8(E)	4	#7	19'-4"	—
p9(E)	*4	#5	21'-4"	—
p10(E)	3	#7	17'-7"	—
p11(E)	3	#7	18'-10"	—
p12(E)	4	#7	18'-10"	—
p13(E)	*2	#5	36'-5"	—
p14(E)	4	#5	12'-1"	—
p15(E)	4	#5	5'-3"	—
s6(E)	21	#5	10'-7"	□
s7(E)	1	#5	11'-3"	□
s8(E)	31	#5	7'-0"	□
s9(E)	1	#5	7'-4"	□
s10(E)	19	#5	12'-9"	□
s11(E)	1	#5	13'-5"	□
u1(E)	10	#6	11'-1"	U
u2(E)	32	#5	10'-7"	U
v6(E)	90	#5	15'-1"	—
Structure Excavation			Cu. Yd.	70
Concrete Structures			Cu. Yd.	65.5
Reinforcement Bars, Epoxy Coated			Pound	4,950
Furnishing Steel Piles HP 14x89			Foot	310
Driving Piles			Foot	310
Test Pile Steel HP 14x89			Each	1
Concrete Encasement			Cu. Yd.	3.3
Underwater Structure Excavation Protection Location #1			Each	1

For details of bar splicer, see Sheet No. 24 of 28.  
For details of piles and concrete encasement, see Sheet No. 23 of 28.  
For details of Section A-A and B-B, see Sheet No. 22 of 28.  
For bar dimensions, see Sheet No. 22 of 28.

PILE DATA

Type: Steel HP 14x89  
Nominal Required Bearing: 600 kips  
Allowable Resistance Available: 240 kips  
Est. Length: 62 ft  
No. Production Piles: 5  
No. Test Piles: 1

PIER 1 DETAILS  
IL. ROUTE 100 OVER  
CRAWFORD CREEK  
F.A.P. ROUTE 304 - SECTION 5BR-2  
CALHOUN COUNTY  
STATION 467+59.00  
STRUCTURE NO. 007-0027

DESIGNED	YSS
CHECKED	RLM
DRAWN	AEC
CHECKED	RLM



02/27/08