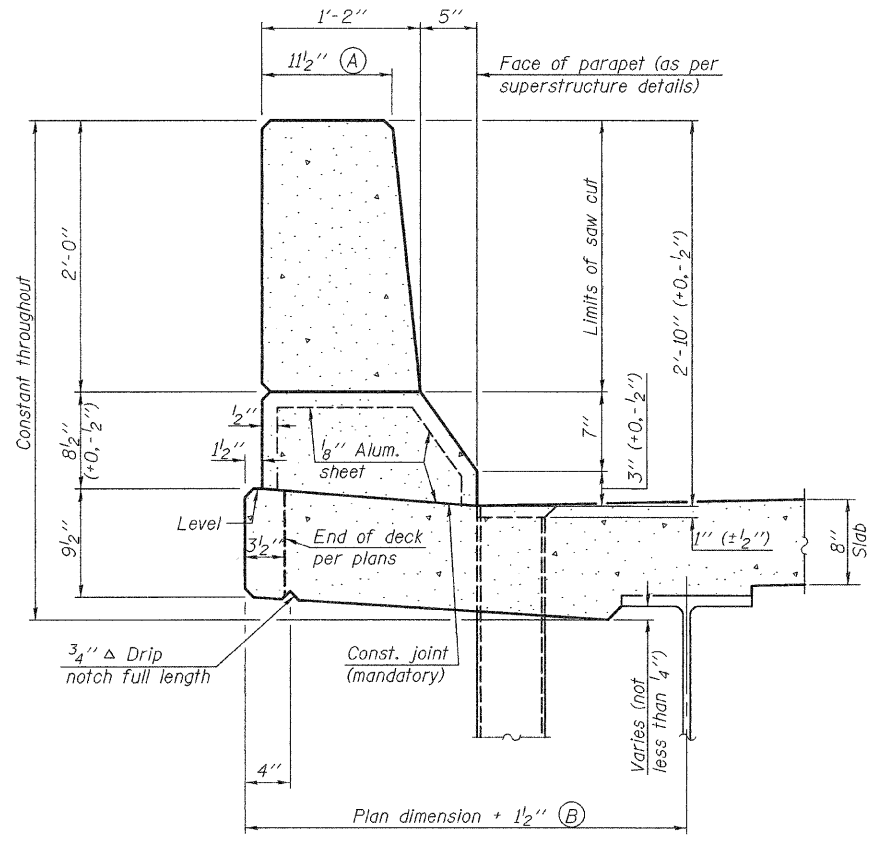


STATE OF ILLINOIS
DEPARTMENT OF TRANSPORTATION

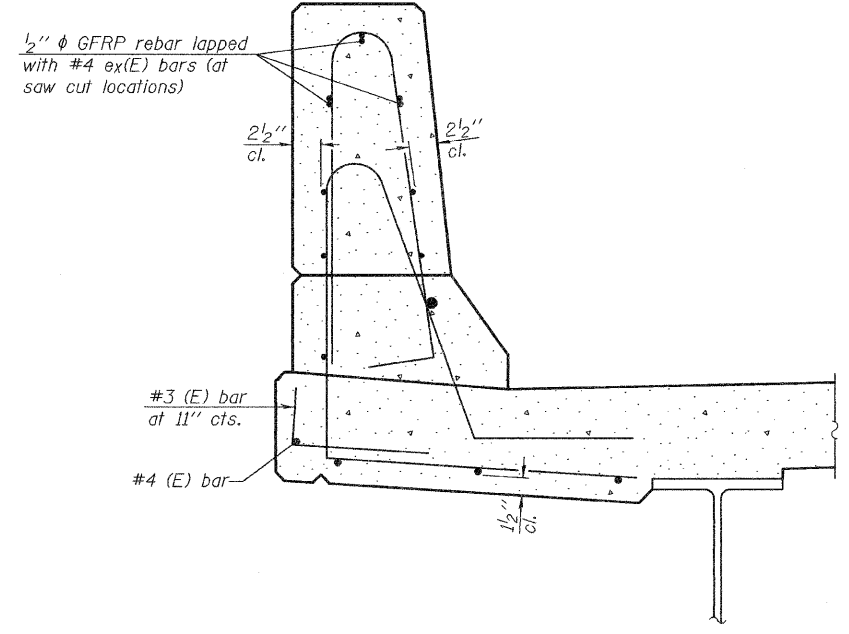
ROUTE NO.	SECTION	COUNTY	TOTAL SHEETS	SHEET NO.
F.A.P. 304	5BR-2	CALHOUN	08	50
FED. ROAD DIST. NO. 7	ILLINOIS	FED. AID PROJECT-		

Contract #76948

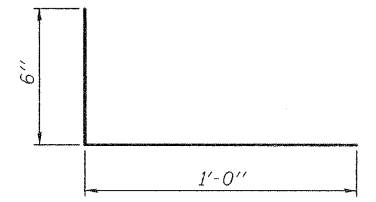
SHEET NO. 26
28 SHEETS



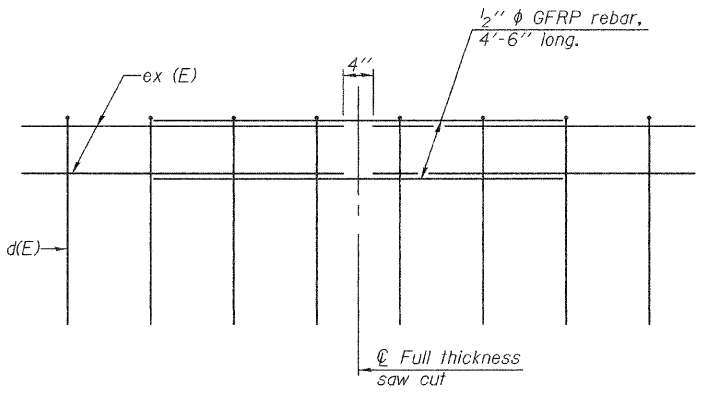
SECTION
(Showing dimensions)



SECTION
(Showing reinforcement clearances for slip forming and additional reinforcement bars)



#3 (E) BAR



GFRP REBAR STIFFENING DETAIL
(Place as shown in parapet section at each parapet joint location.)

**CONCRETE PARAPET
SLIPFORMING OPTION
IL. ROUTE 100 OVER
CRAWFORD CREEK
F.A.P. ROUTE 304 - SECTION 5BR-2
CALHOUN COUNTY
STATION 467+59.00
STRUCTURE NO. 007-0027**

DESIGNED	YSS
CHECKED	RLM
DRAWN	PRC
CHECKED	RLM

