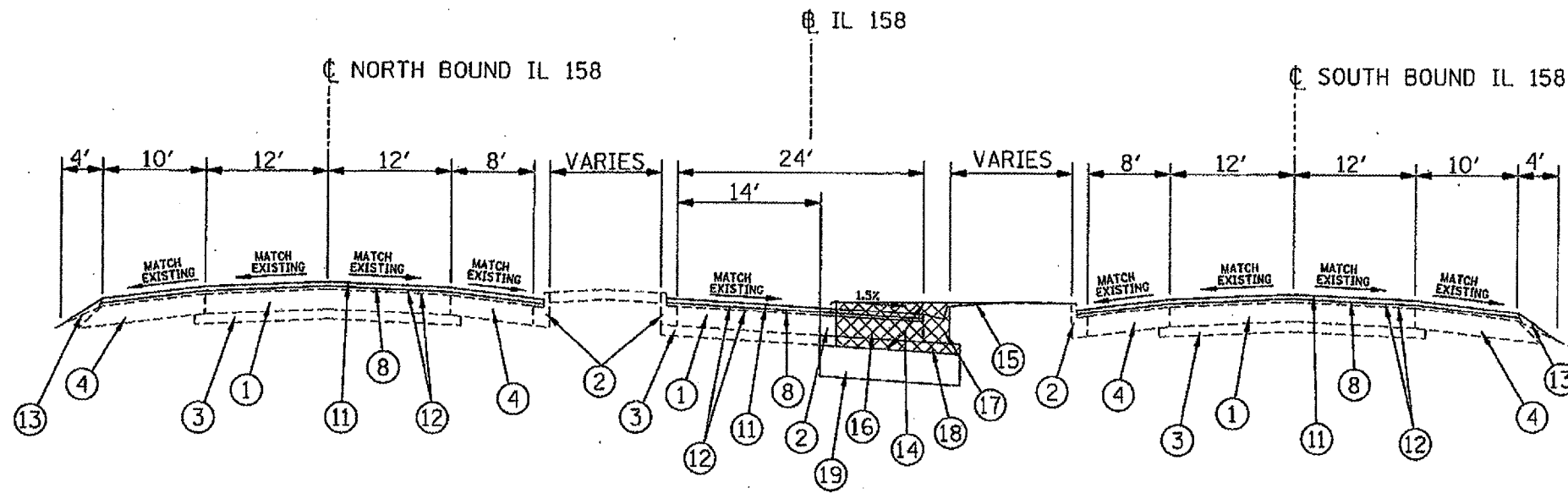


**LEGEND**

- ① EXISTING PCC PAVEMENT 8"
- ② EXISTING CURB & GUTTER
- ③ EXISTING GRANULAR SUBBASE, 4"
- ④ EXISTING HOT-MIX ASPHALT SHOULDERS, 8"
- ⑤ EXISTING AGGREGATE SHOULDERS, 8"
- ⑥ HOT-MIX ASPHALT SURFACE REMOVAL, 3/4"
- ⑦ SURFACE REMOVAL, VARIABLE DEPTH (HMA OR PCC)
- ⑧ LEVELING BINDER (MACHINE METHOD), ( ), 1"
- ⑨ LEVELING BINDER (MACHINE METHOD), ( ), 3/4"
- ⑩ LEVELING BINDER (MACHINE METHOD), ( ), VARIABLE DEPTH
- ⑪ HOT-MIX ASPHALT SURFACE COURSE, ( ), 1 1/2 "
- ⑫ BITUMINOUS MATERIALS AND AGGREGATE, (PRIME COAT)
- ⑬ AGGREGATE WEDGE SHOULDERS, TYPE B
- ⑭ EARTH EXCAVATION
- ⑮ FURNISHED EXCAVATION
- ⑯ PORTLAND CEMENT CONCRETE BASE COURSE 8"
- ⑰ COMBINATION CONCRETE CURB AND GUTTER, TYPE M-4.24
- ⑱ AGGREGATE BASE COURSE, TYPE A 4"
- ⑲ LIME MODIFIED SOIL 12"
- ⑳ HOT-MIX ASPHALT SHOULDERS 8"
- ㉑ HOT-MIX ASPHALT BINDER COURSE, IL-19.0, N70

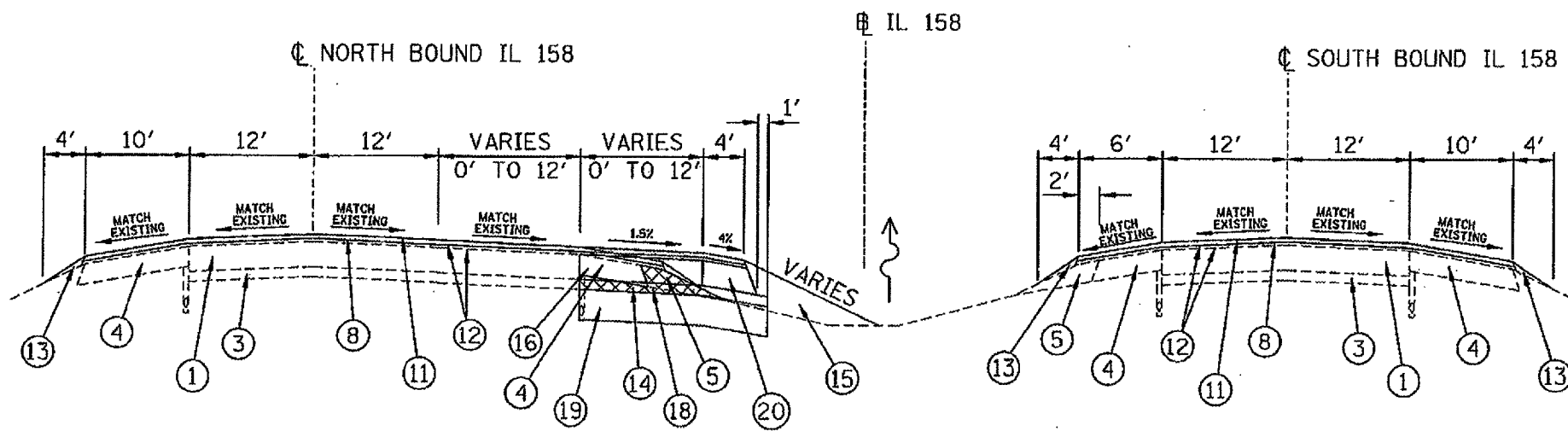


**NORTH BOUND SECTION**

STA. 197+80± TO STA. 201+25±

**SOUTH BOUND SECTION**

STA. 197+80± TO STA. 201+25±



**NORTH BOUND SECTION**

STA. 201+25± TO STA. 204+60±

**SOUTH BOUND SECTION**

STA. 201+25± TO STA. 204+60±

FILE NAME = C11-15.TYPSECT.IL158.dgn	USER NAME = avelz	DESIGNED - DHP	REVISED - 03/12/08	<b>STATE OF ILLINOIS DEPARTMENT OF TRANSPORTATION</b>	<b>TYPICAL SECTIONS - IL RTE 158</b>	F.A.P. RTE.	SECTION	COUNTY	TOTAL SHEETS	SHEET NO.
		DRAWN - EDW	REVISED -			674	410, 410-1-1	ST. CLAIR	41	13
		CHECKED - SAR	REVISED -							
		DATE - 01/30/08	REVISED -							
				SCALE: NONE		SHEET NO. OF SHEETS		STA. TO STA.		CONTRACT NO. T6B14
FED. ROAD DIST. NO. ILLINOIS FED. AID PROJECT										