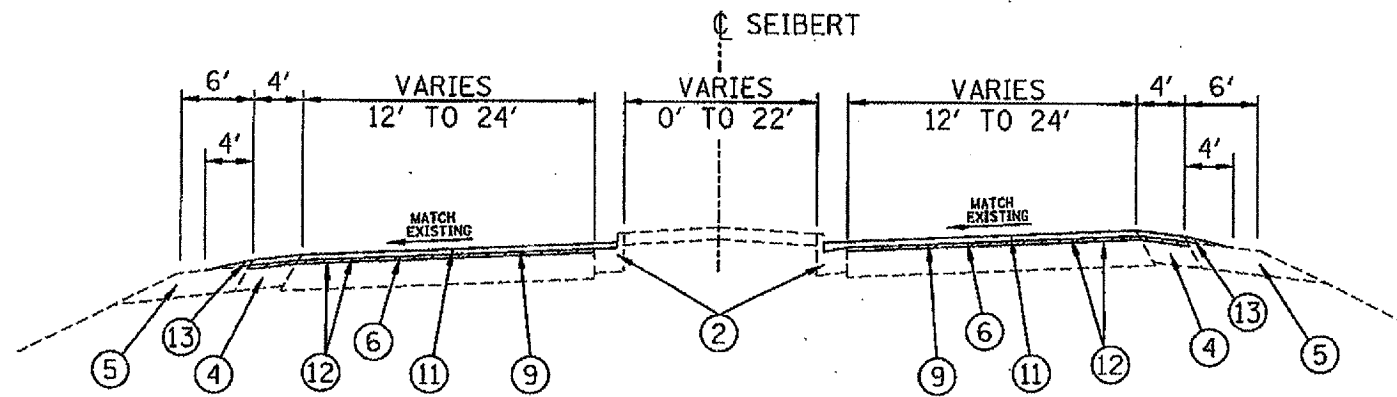


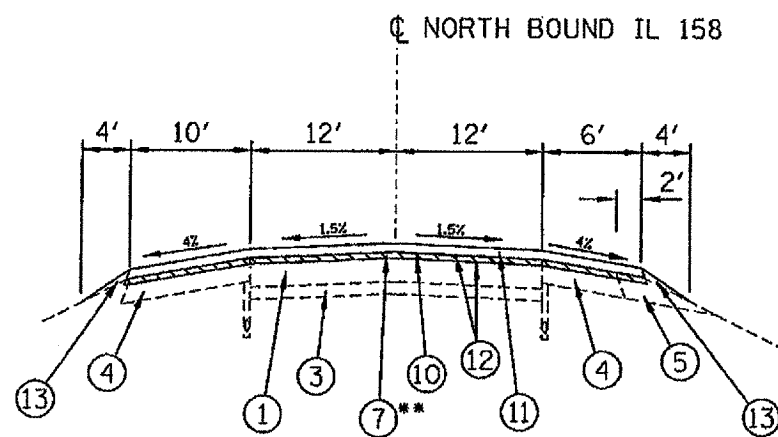
LEGEND

- ① EXISTING PCC PAVEMENT 8"
- ② EXISTING CURB & GUTTER
- ③ EXISTING GRANULAR SUBBASE, 4"
- ④ EXISTING HOT-MIX ASPHALT SHOULDERS, 8"
- ⑤ EXISTING AGGREGATE SHOULDERS, 8"
- ⑥ HOT-MIX ASPHALT SURFACE REMOVAL, 3/4"
- ⑦ SURFACE REMOVAL, VARIABLE DEPTH (HMA OR PCC)
- ⑧ LEVELING BINDER (MACHINE METHOD), (), 1"
- ⑨ LEVELING BINDER (MACHINE METHOD), (), 3/4"
- ⑩ LEVELING BINDER (MACHINE METHOD), (), VARIABLE DEPTH
- ⑪ HOT-MIX ASPHALT SURFACE COURSE, (), 1 1/2 "
- ⑫ BITUMINOUS MATERIALS AND AGGREGATE, (PRIME COAT)
- ⑬ AGGREGATE WEDGE SHOULDERS, TYPE B
- ⑭ EARTH EXCAVATION
- ⑮ FURNISHED EXCAVATION
- ⑯ PORTLAND CEMENT CONCRETE BASE COURSE 8"
- ⑰ COMBINATION CONCRETE CURB AND GUTTER, TYPE M-4.24
- ⑱ AGGREGATE BASE COURSE, TYPE A 4"
- ⑲ LIME MODIFIED SOIL 12"
- ⑳ HOT-MIX ASPHALT SHOULDERS 8"
- ㉑ HOT-MIX ASPHALT BINDER COURSE, IL-19.0, N70

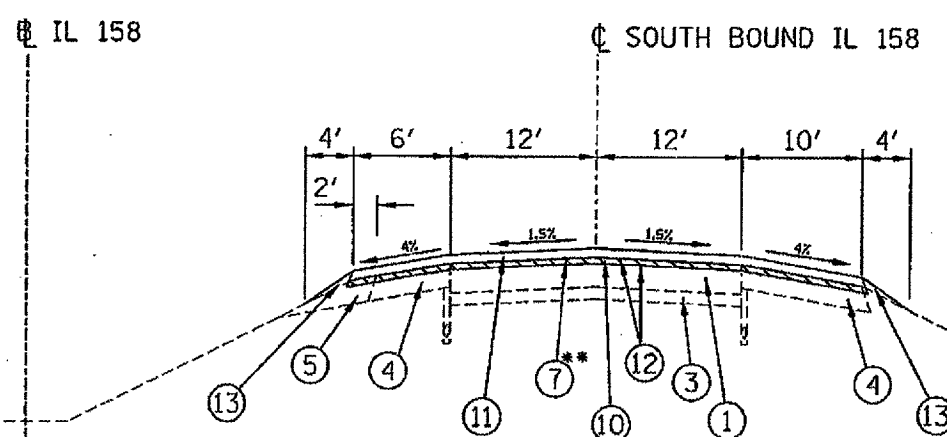
** SEE PROFILES FOR LIMITS OF SURFACE REMOVAL



SIDE ROAD SECTION
STA. 1106+80 TO STA. 1114+70



NORTH BOUND SECTION
STA. 333+55± TO STA. 342+00±



SOUTH BOUND SECTION
STA. 336+78± TO STA. 339+09±

FILE NAME = CII-15.TYPSECT.IL158.dgn	USER NAME = nualz	DESIGNED - OHP	REVISED - 03/12/08	STATE OF ILLINOIS DEPARTMENT OF TRANSPORTATION	TYPICAL SECTIONS -- SEIBERT ROAD	F.A.P. RTE.	SECTION	COUNTY	TOTAL SHEETS	SHEET NO.
		DRAWN - EDW	REVISED -			674	410, 410-1-1	ST. CLAIR	41	15
		CHECKED - SAR	REVISED -							
		DATE - 01/30/08	REVISED -							
PLOT SCALE = 7/8" = 1'		PLOT DATE = 3/12/2008		SCALE: SHEET NO. OF SHEETS STA. TO STA.		FED. ROAD DIST. NO. ILLINOIS FED. AID PROJECT CONTRACT NO. 76B14				