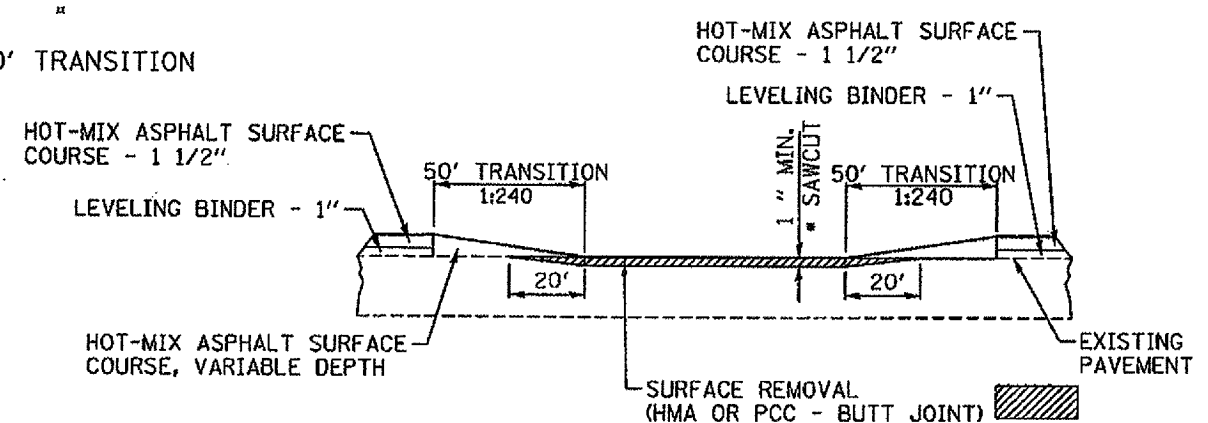
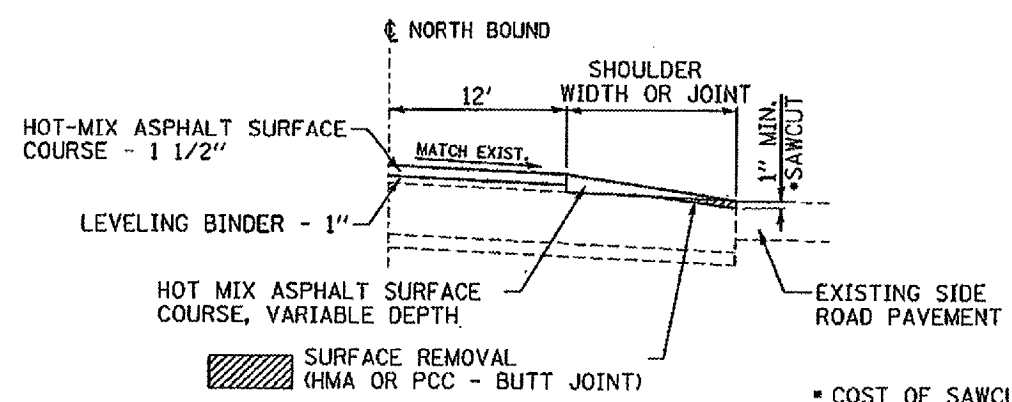


SECTION A-A



SECTION B-B



SECTION C-C

* COST OF SAWCUT TO BE INCLUDED IN SURFACE REMOVAL

FILE NAME = C38.TRANS.DTL.SEIBERT.dgn	USER NAME = exolz	DESIGNED - DHP	REVISED -	STATE OF ILLINOIS DEPARTMENT OF TRANSPORTATION	PAVEMENT TRANSITION DETAIL - IL RTE 158 & SEIBERT RD.	F.A.P. RTE. 674	SECTION 410, 410-1-1	COUNTY ST. CLAIR	TOTAL SHEETS 41	SHEET NO. 38	
FLOT SCALE = 3/8"=1'	CHECKED - SAR	ORAWN - EDW	REVISED -			SCALE:	SHEET NO. OF SHEETS	STA. TO STA.	CONTRACT NO. 76B14		
FLOT DATE = 3/12/2008	DATE - 01/30/08	CHECKED - SAR	REVISED -			FED. ROAD DIST. NO. (ILLINOIS) FED. AID PROJECT					
		DATE - 01/30/08	REVISED -								