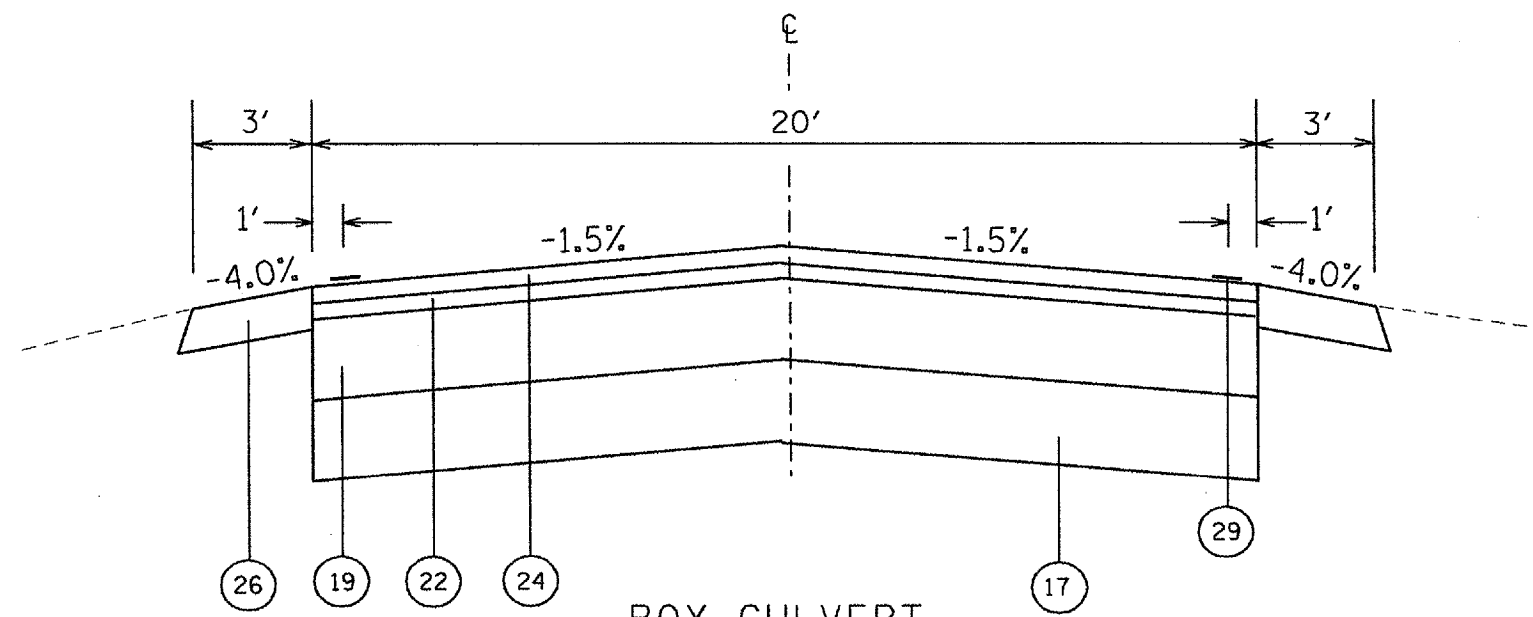


TYPICAL #4
STA. 590+70 TO 594+59



BOX CULVERT
TYPICAL #1
STA. 394+15 TO 394+52

LEGEND

- ① EXISTING 9-6-9 PAVEMENT
- ② EXISTING BITUMINOUS OVERLAY
- ③ EXISTING GUTTER

- ⑮ PROPOSED PAVEMENT REMOVAL
- ⑯ PROPOSED GUTTER REMOVAL
- ⑰ PROPOSED SUBBASE GRANULAR MATERIAL, TYPE A, 12"
- ⑱ PROPOSED SUBBASE GRANULAR MATERIAL, TYPE A, VAR DEPTH
- ⑲ PROPOSED PCC BASE COURSE, 9"
- ⑳ PROPOSED HOT MIX ASPHALT BINDER CSE, 8"
- ㉑ PROPOSED HOT MIX ASPHALT BINDER CSE, VARIABLE DEPTH
- ㉒ PROPOSED HOT MIX ASPHALT BINDER CSE, 1.5"
- ㉓ PROPOSED HOT MIX ASPHALT SURFACE CSE, 2"
- ㉔ PROPOSED HOT MIX ASPHALT SURFACE CSE, 1.5"
- ㉕ PROPOSED AGGREGATE BASE COURSE, 8"
- ㉖ PROPOSED AGGREGATE SHOULDERS, TYPE B, 6"
- ㉗ PROPOSED CONCRETE GUTTER, TYPE B
- ㉘ PROPOSED HOT MIX ASPHALT BUTT JOINT (SEE DETAIL PAGE 34)
- ㉙ PROPOSED PAINT PAVEMENT MARKINGS