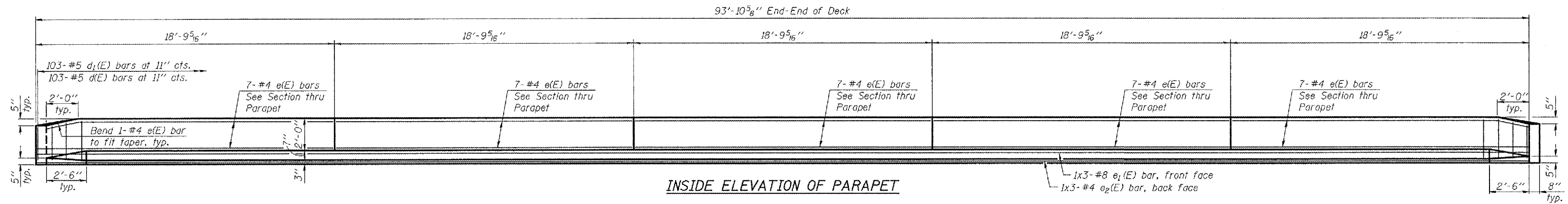
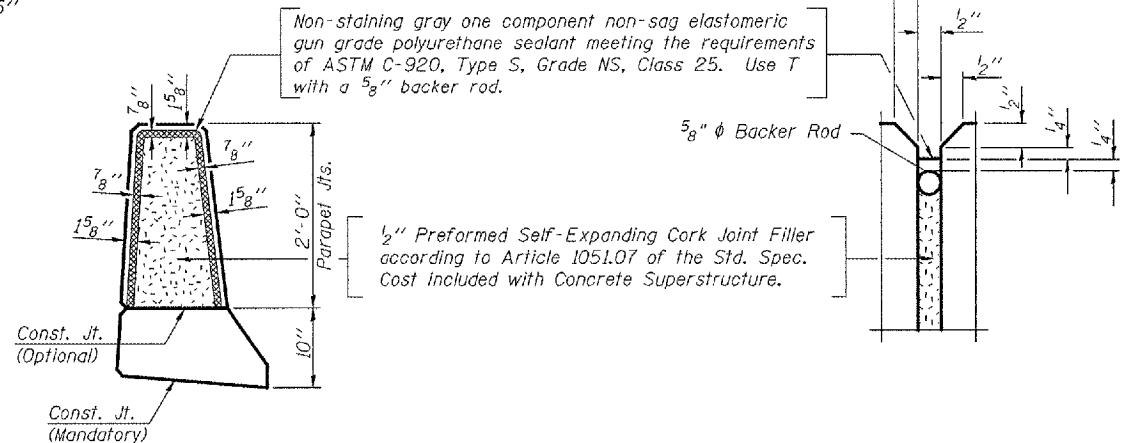


ROUTE NO.	SECTION	COUNTY	TOTAL SHEETS	SHEET NO.
FAS 1195	(112B) BR-3	KNOX	76	27
FED. ROAD DIST. NO. 7	ILLINOIS	FED. AID PROJECT-		



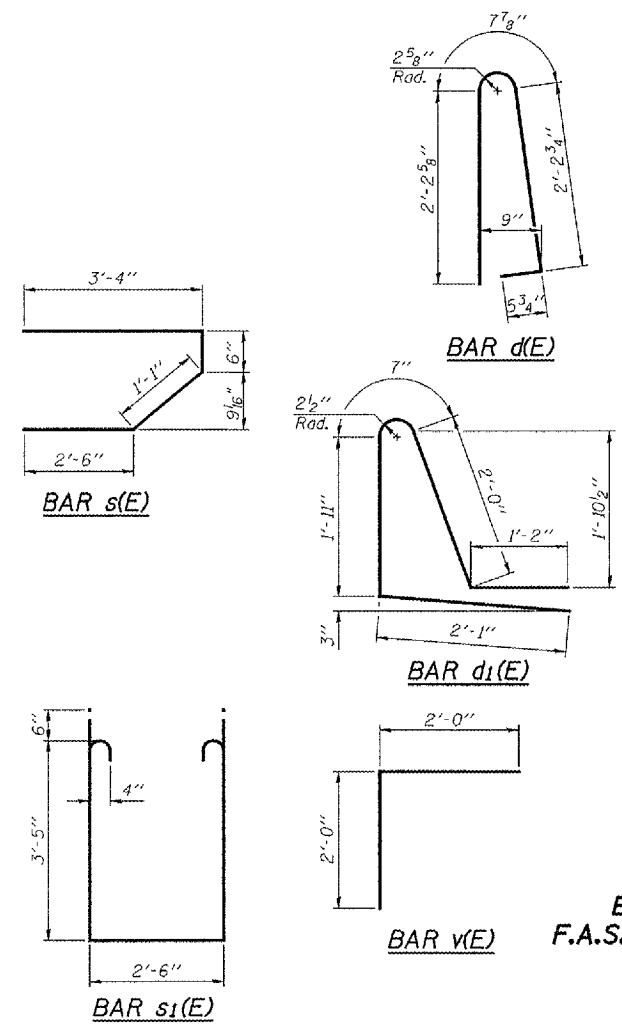
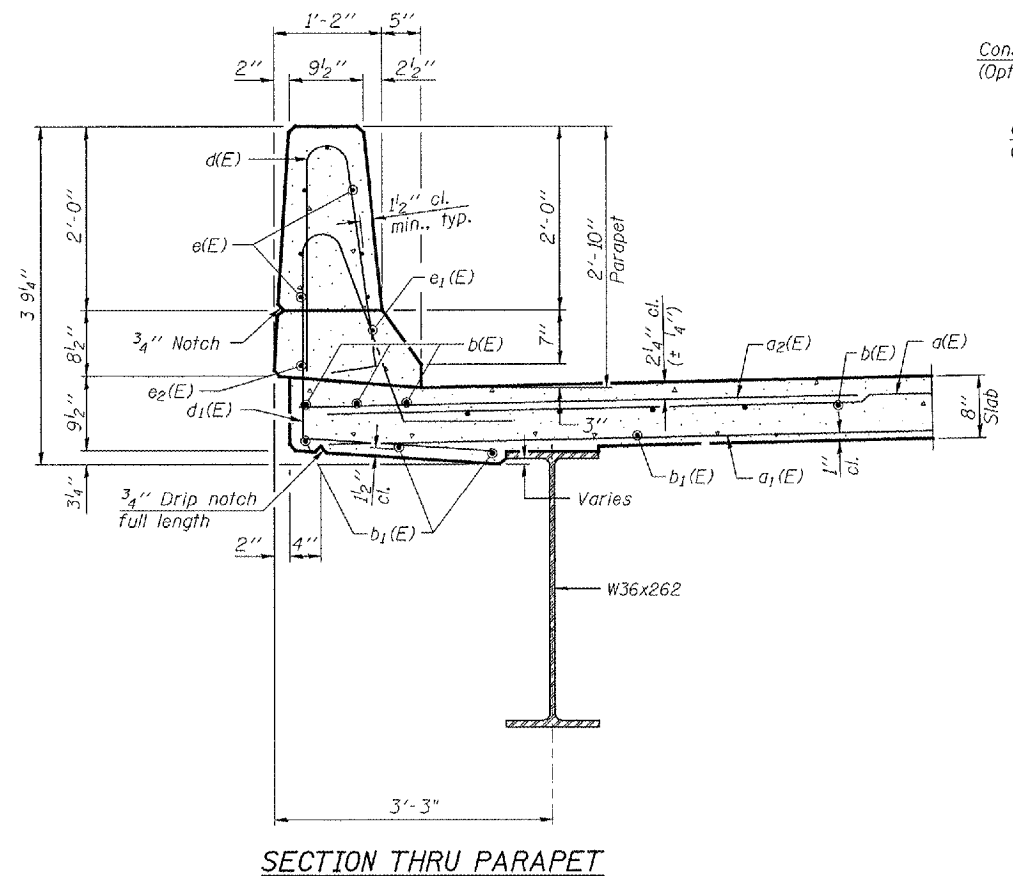
MINIMUM BAR LAP

(Parapet)
#4 bar = 1'-4"
#8 bar = 3'-5"



SUPERSTRUCTURE BILL OF MATERIAL

Bar	No.	Size	Length	Shape
a(E)	188	#5	42'-6"	—
a ₁ (E)	126	#5	41'-10"	—
a ₂ (E)	188	#6	6'-0"	—
a ₃ (E)	4	#6	49'-1"	—
b(E)	92	#5	47'-10"	—
b ₁ (E)	108	#5	32'-7"	—
d(E)	206	#5	5'-7"	┘
d ₁ (E)	206	#5	7'-9"	┘
e(E)	70	#4	18'-5"	—
e ₁ (E)	6	#8	34'-2"	—
e ₂ (E)	6	#4	32'-3"	—
m(E)	4	#6	47'-9"	—
m ₁ (E)	6	#6	49'-6"	—
m ₂ (E)	36	#6	11'-0"	—
m ₃ (E)	10	#6	8'-1"	—
m ₄ (E)	4	#6	3'-5"	—
s(E)	82	#5	7'-5"	┘
s ₁ (E)	72	#4	10'-4"	┘
v(E)	84	#5	4'-0"	┘
Reinforcement Bars, Epoxy Coated		Pound	31,440	
Concrete Superstructure		Cu. Yds.	163.1	
Bridge Deck Grooving		Sq. Yds.	397	
Bar Splicers		Each	80	
Stud Shear Connectors		Each	1332	
Furnishing & Erecting Structural Steel		L. Sum	1	



NOTES:
Reinforcement bars designated (E) shall be epoxy coated.
Bars indicated thus 1x3-#8 etc. indicates one line of bars with three lengths per line.

PARAPET DETAILS
ILLINOIS ROUTE 180 OVER
BRANCH OF BRANDYWINE CREEK
F.A.S. ROUTE 1195 - SECTION (112B)BR-3
KNOX COUNTY
STA. 586+75 (S.N. 048-0089)
WHA # 1189D06