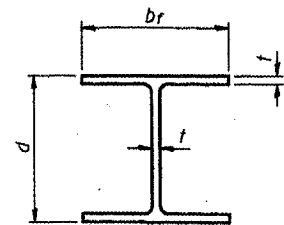


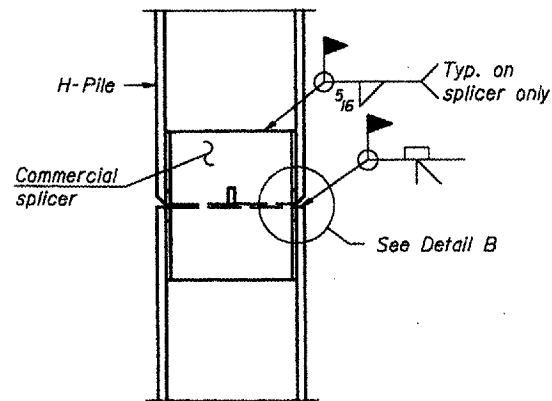
ROUTE NO.	SECTION	COUNTY	SHEET NO.	SHEET TOTAL
FAS 1195	(112B) BR-3	KNOX	76	31
FED. ROAD DIST. NO. 7		ILLINOIS	FED. AID PROJECT	

STRUCTURAL SHEET 11 OF 12

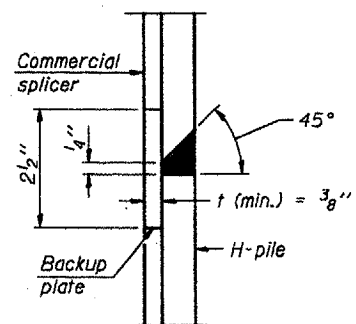


STEEL PILE TABLE

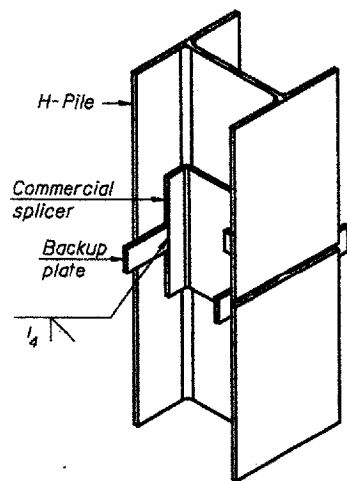
Designation	Depth d	Flange width br	Web and Flange thickness t	Encasement diameter A
HP 14x117	14 1/4"	14 7/8"	1 3/16"	30"
x102	14"	14 3/4"	1 1/16"	30"
x89	13 7/8"	14 3/4"	5/8"	30"
x73	13 5/8"	14 5/8"	1/2"	30"
HP 12x84	12 1/4"	12 1/4"	1 1/16"	24"
x74	12 1/8"	12 1/4"	5/8"	24"
x63	12"	12 1/8"	1/2"	24"
x53	11 3/4"	12"	7/16"	24"
HP 10x57	10"	10 1/4"	9/16"	24"
x42	9 3/4"	10 1/8"	7/16"	24"
HP 8x36	8"	8 1/8"	7/16"	18"



ELEVATION

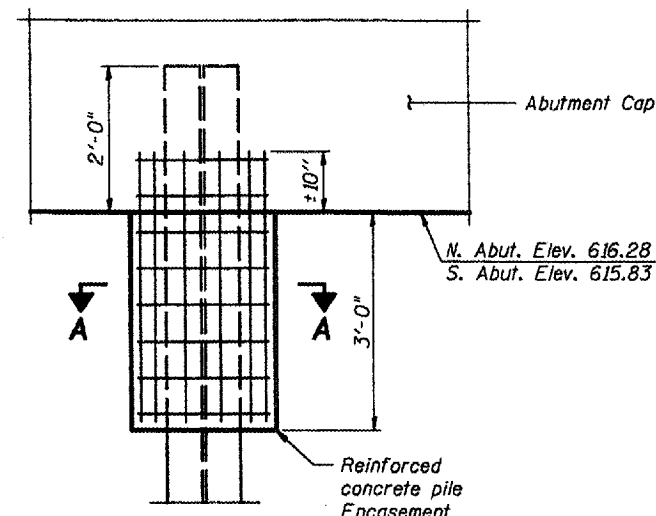


DETAIL "B"

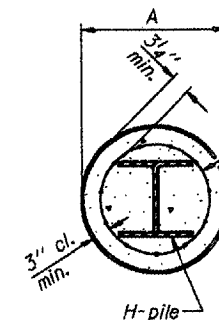


ISOMETRIC VIEW

WELDED COMMERCIAL SPLICE



ELEVATION

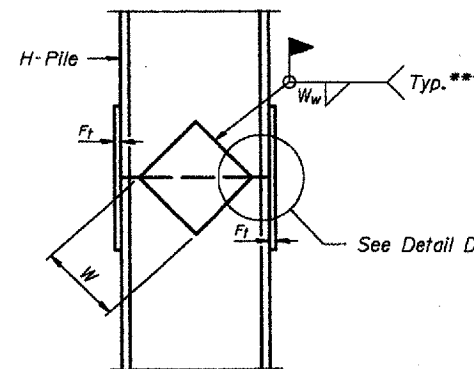


SECTION A-A

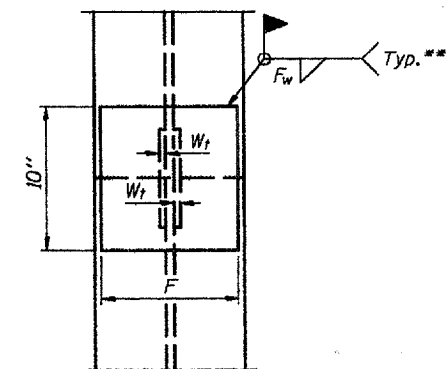
PILE ENCASEMENT

Welded wire fabric 6 x 6- W4.0 x W4.0 weighing 58#/100 sq. ft. Bend as required to fit into wall. The cost of excavation, Welded wire fabric & Class SI concrete is included with "Concrete Encasement."

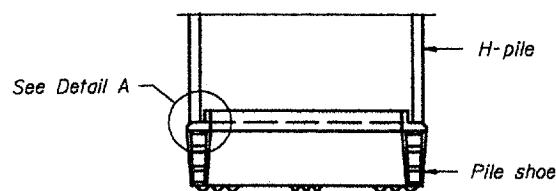
See sheet 8 & 9 of 12 for quantity.



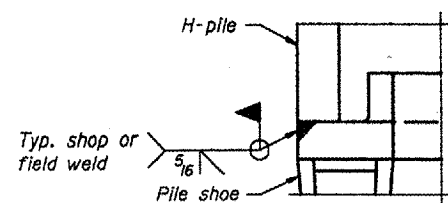
ELEVATION



END VIEW

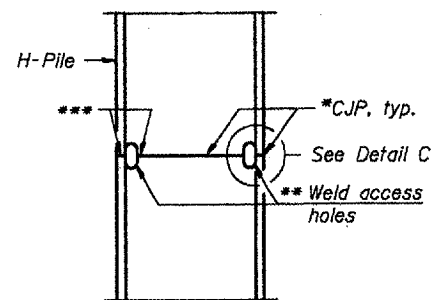


ELEVATION

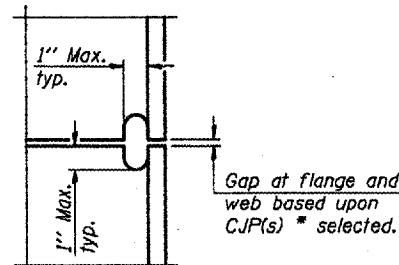


DETAIL A

H-PILE SHOE ATTACHMENT

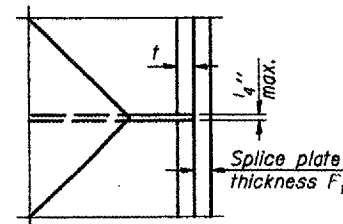


ELEVATION



DETAIL C

COMPLETE PENETRATION WELD SPLICE



DETAIL D

WELDED PLATE FIELD SPLICE

Designation	F	Ft	Fw	W	Wt	Ww
HP 14x117	12 1/2"	1"	7/8"	7 3/4"	5 1/2"	1/2"
x102	12 1/2"	7/8"	3/4"	7 3/4"	5 1/2"	1/2"
x89	12 1/2"	3/4"	1/2"	7 3/4"	5 1/2"	1/2"
x73	12 1/2"	5/8"	9/16"	7 3/4"	5 1/2"	1/2"
HP 12x84	10"	7/8"	1/2"	6 1/2"	5 1/2"	1/2"
x74	10"	7/8"	1/2"	6 1/2"	5 1/2"	1/2"
x63	10"	5/8"	1/2"	6 1/2"	5 1/2"	3/8"
x53	10"	5/8"	1/2"	6 1/2"	5 1/2"	3/8"
HP 10x57	8"	3/4"	9/16"	5 1/4"	5 1/2"	3/8"
x42	8"	5/8"	9/16"	5 1/4"	5 1/2"	3/8"
HP 8x36	7"	5/8"	7/16"	4 1/4"	5 1/2"	3/8"

- * Use joint conforming to Figure 3.4 in AWS D1.1, Structure Welding Code - Steel.
- ** Preparation per Fig. 5.2 in AWS D1.1, Structure Welding Code - Steel.
- *** Interrupt welds 1/4" from end of each pile.

Note:
The steel H-piles shall be according to AASHTO M270 Grade 50.

**STEEL H-PILE DETAILS
ILLINOIS ROUTE 180 OVER
BRANCH OF BRANDYWINE CREEK
F.A.S. ROUTE 1195 - SECTION (112B)BR-3
KNOX COUNTY
STA. 586+75 (S.N. 048-0089)
WHA # 1189D06**