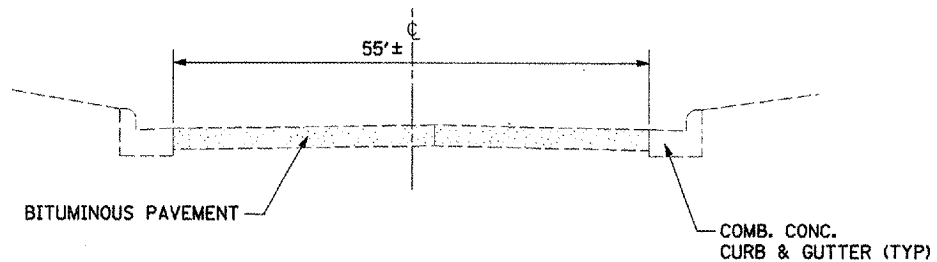
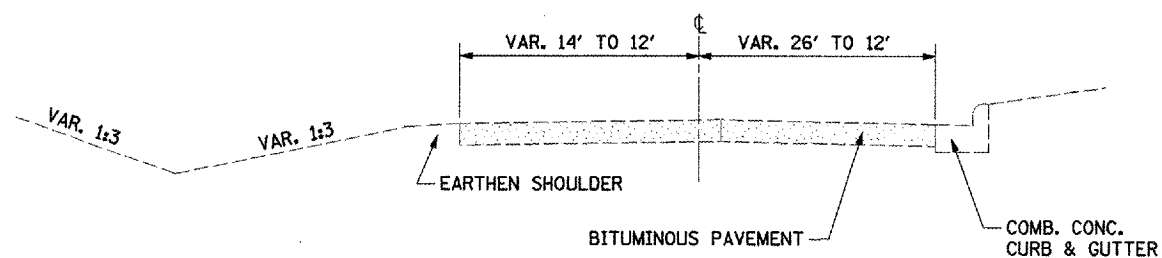


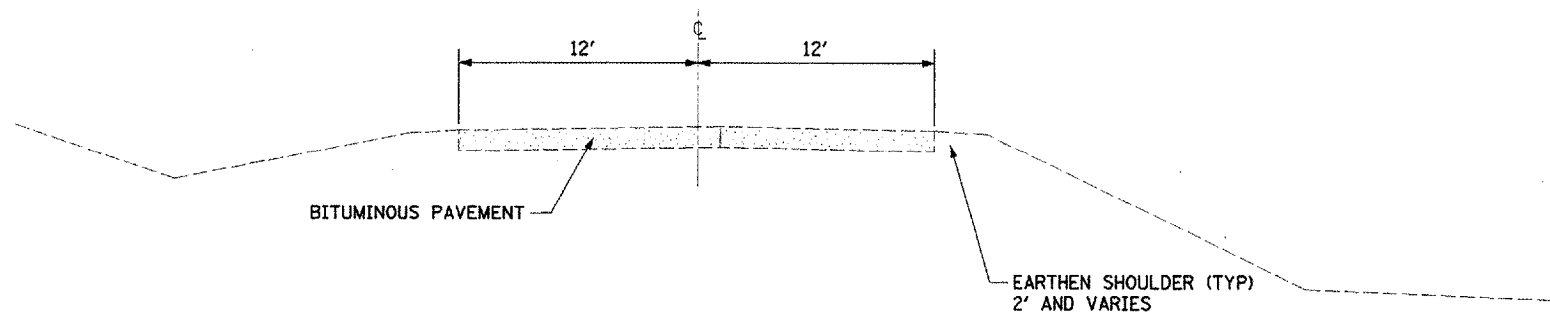
CONTRACT NO. 89347				
F.A.U. RTE.	SECTION	COUNTY	TOTAL SHEETS	SHEET NO.
6761	04-00057-06-WR	TAZEWELL	154	8
STA.		TO STA.		
FED. ROAD DIST. NO. 4		ILLINOIS FED. AID PROJECT		



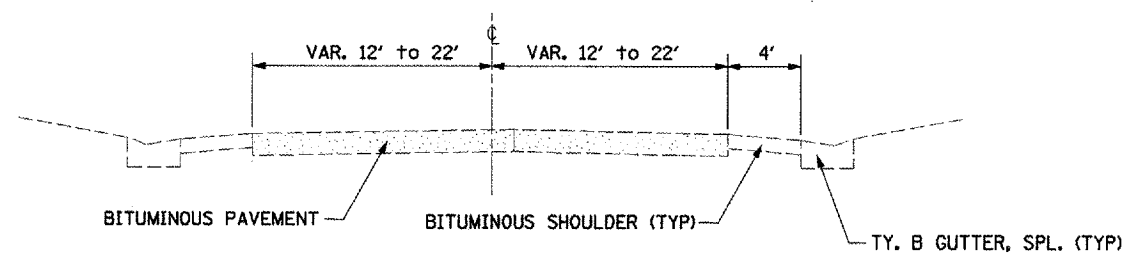
EXISTING TYPICAL SECTION
STA. 6+05 TO STA. 9+00



EXISTING TYPICAL SECTION
STA. 9+00 TO STA. 10+67



EXISTING TYPICAL SECTION
STA. 10+67 TO STA. 75+65



EXISTING TYPICAL SECTION
STA. 75+65 TO STA. 78+50

REVISIONS	
NAME	DATE

ILLINOIS DEPARTMENT OF TRANSPORTATION
BROADWAY ROAD IMPROVEMENTS
EXISTING TYPICAL SECTIONS

SCALE: NONE
DATE 12/07/2007

DRAWN BY DLC
CHECKED BY REW

PLOT DATE = 2/6/2008
FILE NAME = I:\20080827\2\fig\sherna\TYP SEC EX.dgn
PLOT SCALE = 80.000 / 1" = 100'
USER NAME = JDD