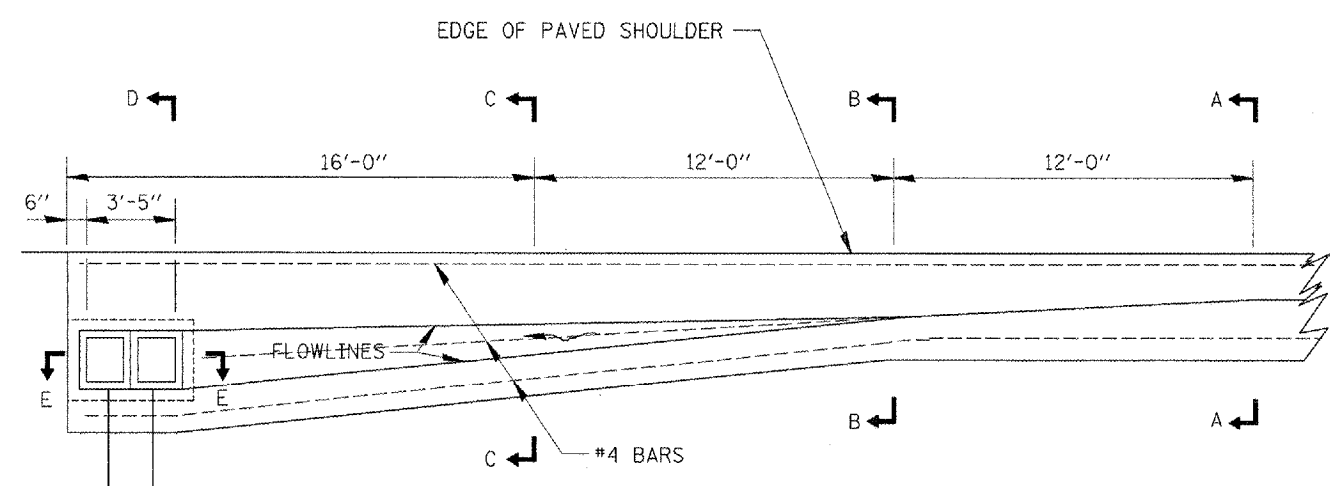
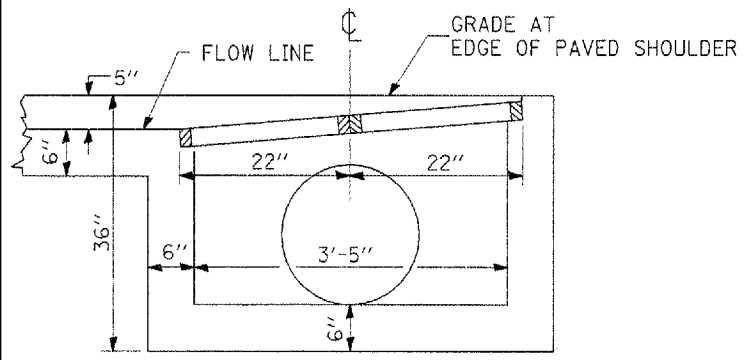


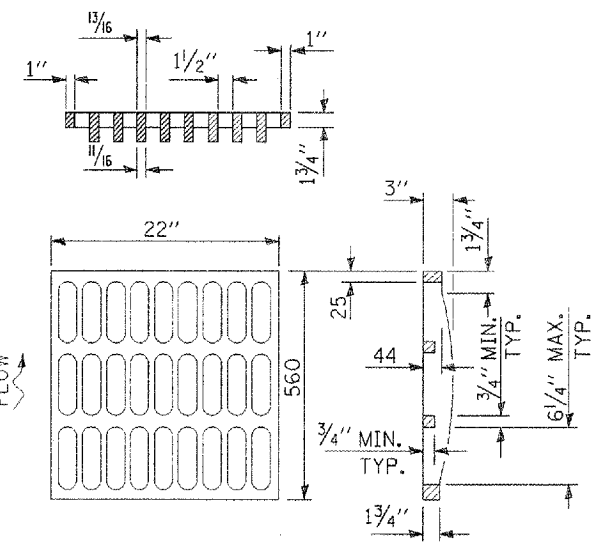
CONTRACT NO. 89347				
F.A.I.D. RTE.	SECTION	COUNTY	TOTAL SHEETS	SHEET NO.
6761	04-00057-06-WR	TAZEWELL	154	97
STA.		TO STA.		
FED. ROAD DIST. NO. 4		ILLINOIS FED. AID PROJECT		



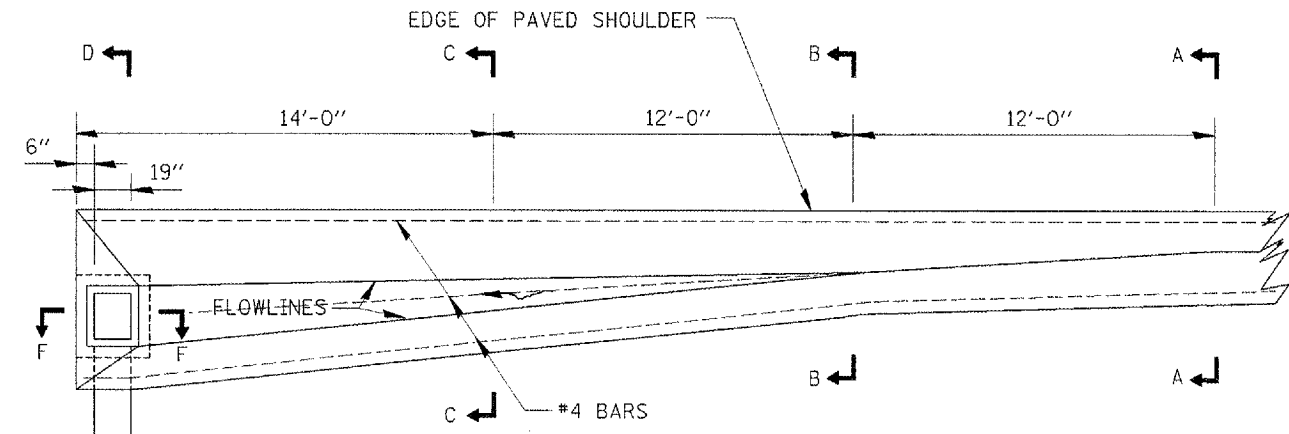
PLAN-DOUBLE OUTLET
RT. STA. 75+59 TO STA. 75+99



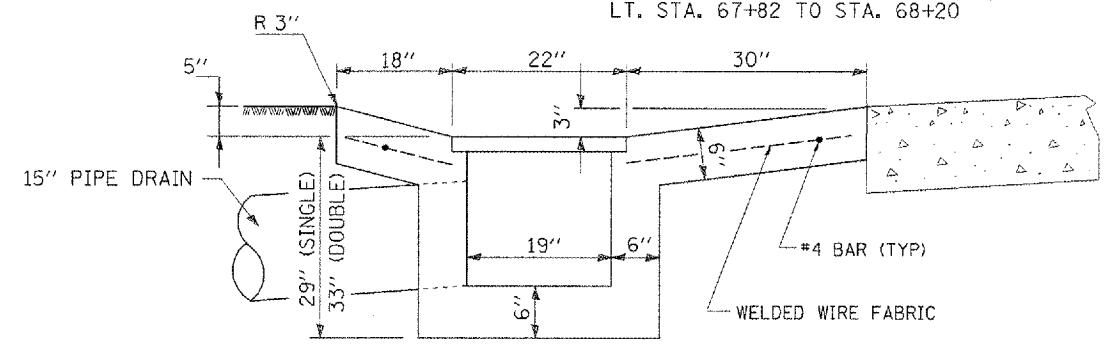
SECTION E-E
(DOUBLE OUTLET)



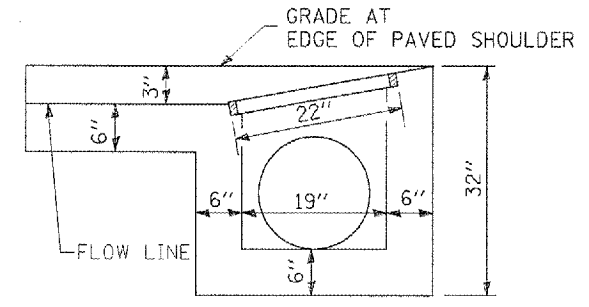
GRATE TYPE A



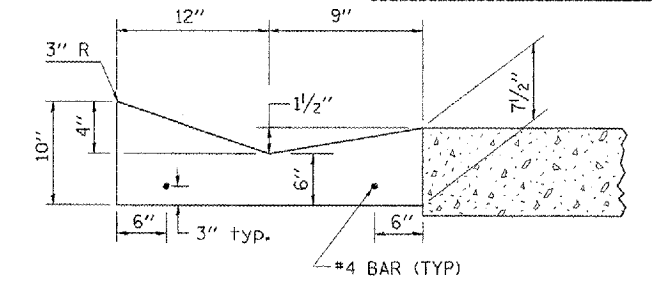
PLAN-SINGLE OUTLET
LT. STA. 60+25 TO STA. 60+63
RT. STA. 60+47 TO STA. 60+85
RT. STA. 66+75 TO STA. 67+13
LT. STA. 67+82 TO STA. 68+20



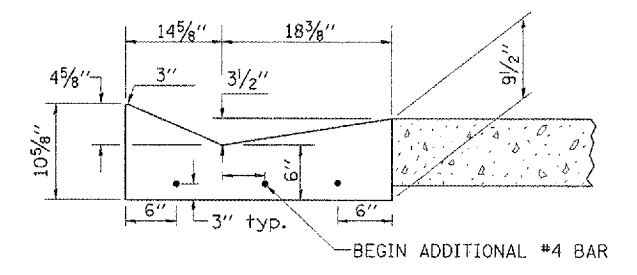
SECTION D-D



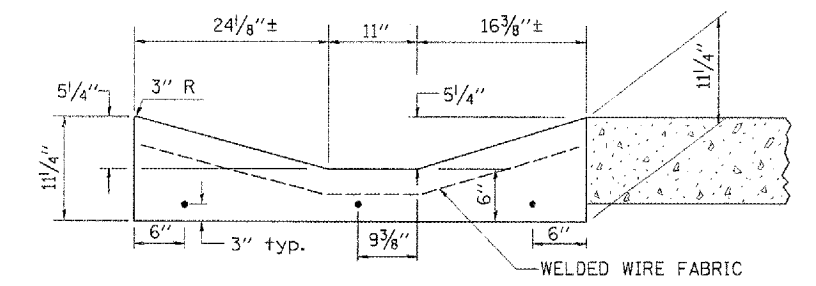
SECTION F-F
(SINGLE OUTLET)



SECTION A-A



SECTION B-B



SECTION C-C

GENERAL NOTES

Welded Wire Fabric shall conform to Article 1006.10 (b) (1)
Gutter Outlet (Special) shall conform to the applicable portions of Section 606.

REVISIONS	
NAME	DATE

ILLINOIS DEPARTMENT OF TRANSPORTATION
BROADWAY ROAD
DETAIL - GUTTER OUTLET (SPECIAL) FOR
TYPE B GUTTER (MODIFIED)

SCALE: AS SHOWN
DATE 12/07/2007
DRAWN BY: DLC
CHECKED BY: REW

PLOT DATE = 2/8/2008
FILE NAME = I:\2008\82673\fig\plan\outlet.dwg
PLOT SCALE = 1/8" = 1'-0"
USER NAME = BDT