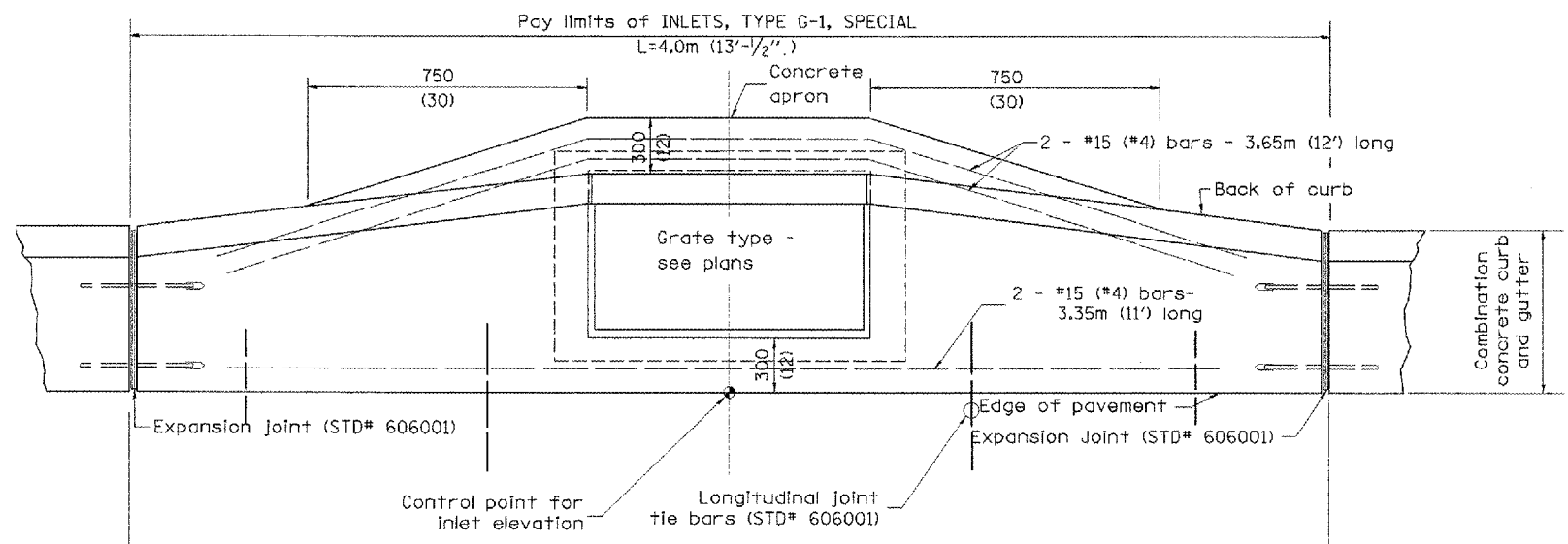
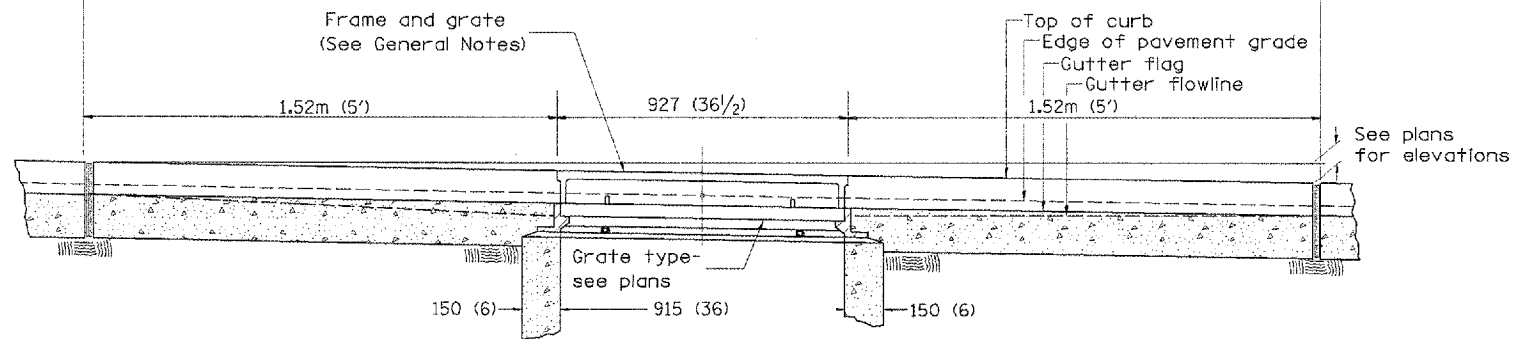


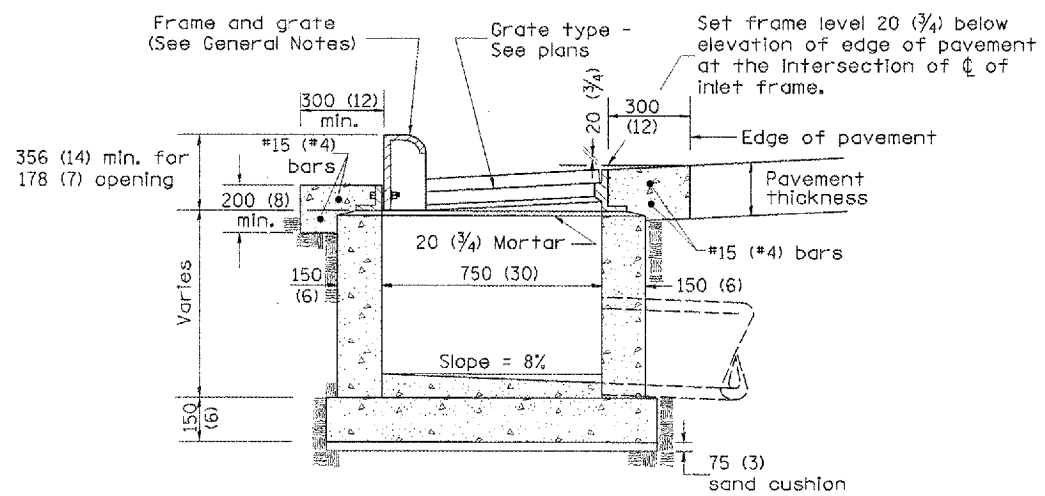
F.A.U. RTD.	SECTION	COUNTY	TOTAL SHEET NO.
MS 7600	05-00104-00-RS	TAZEWELL	154 101
STA.	TO STA.		
FED. ROAD DIST. NO.	ILLINOIS	FED. AID PROJECT	



PLAN



ELEVATION (FRONT)



ELEVATION (SIDE)

GENERAL NOTES

1. Inlet construction shall be in accordance with Section 602 of the Standard Specifications.
2. Combination Concrete Curb and Gutter shall be constructed in accordance with Section 606 of the Standard Specifications.
3. See District CADD Standard 604001-D4 for frame and grates.

All dimensions are in millimeters (inches) unless otherwise noted.

**ILLINOIS DEPARTMENT OF TRANSPORTATION
DISTRICT CADD STANDARD**

DATE	REVISIONS	BY
1-1-97	RENUM. B-4.02, NEW REVISION BOX	
12-1-98	CORRECT E. O. P. NOTE	J.A.
10-99	REVISION TO GENERAL NOTES	J.A.

**INLETS, TYPE G-1,
SPECIAL**

CADD STANDARD 602006-D4
SCALE NOT TO SCALE
DATE **DATE**

DRAWN BY CADD
CHECKED BY

DGN-ONLY