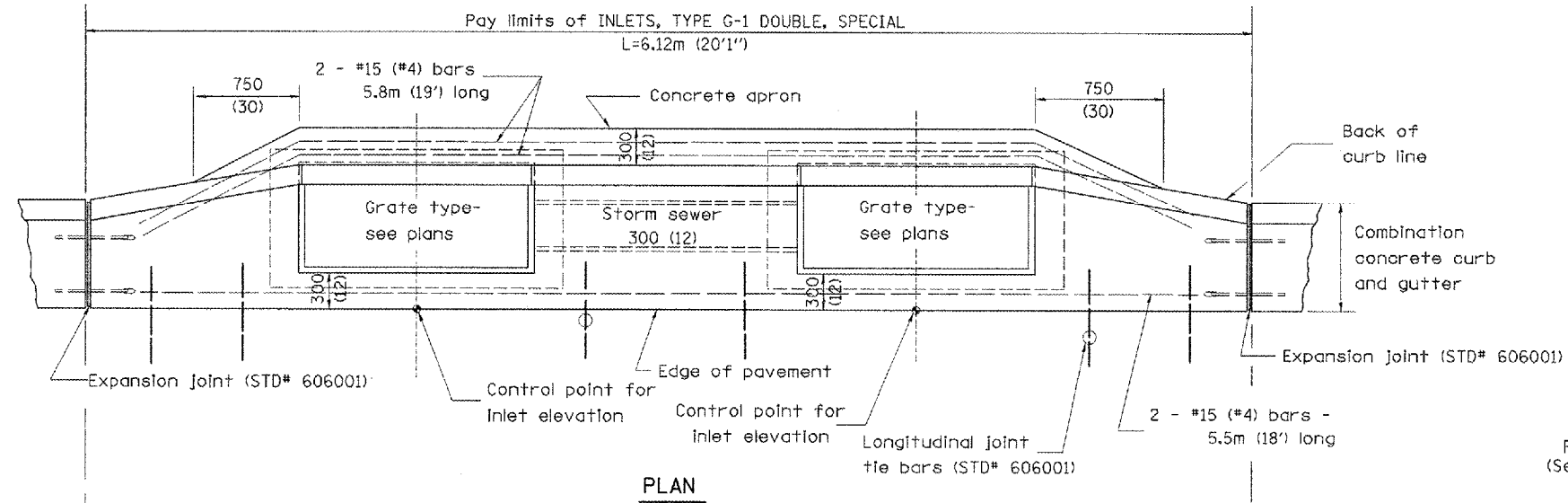
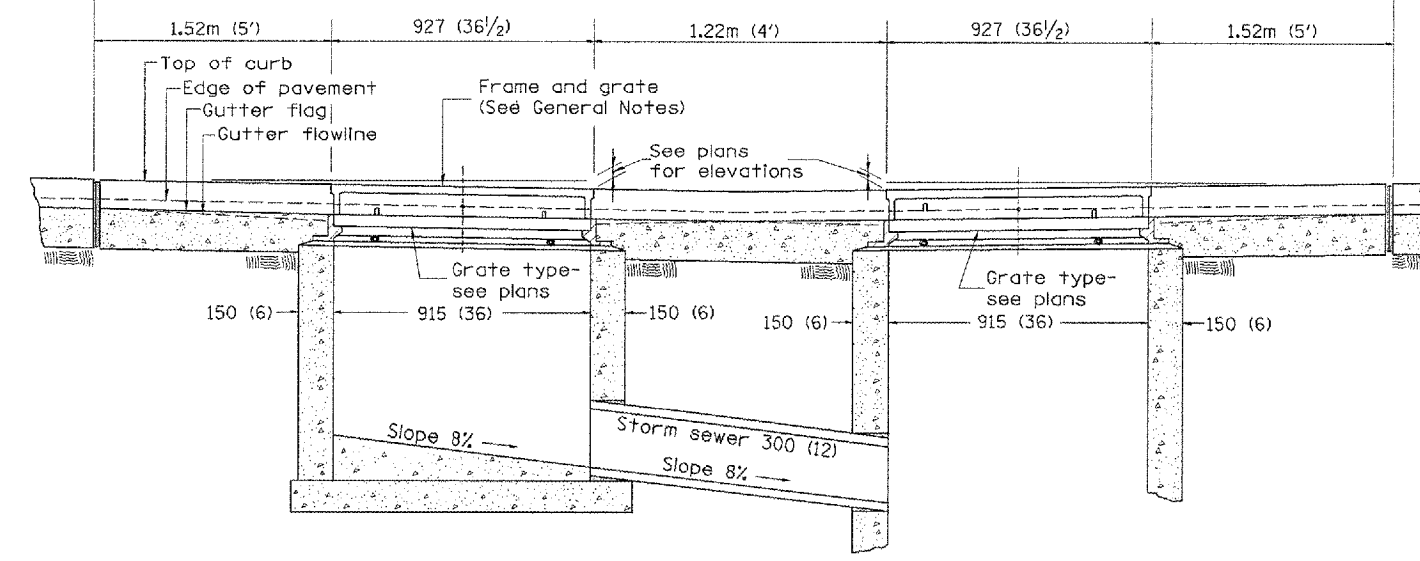


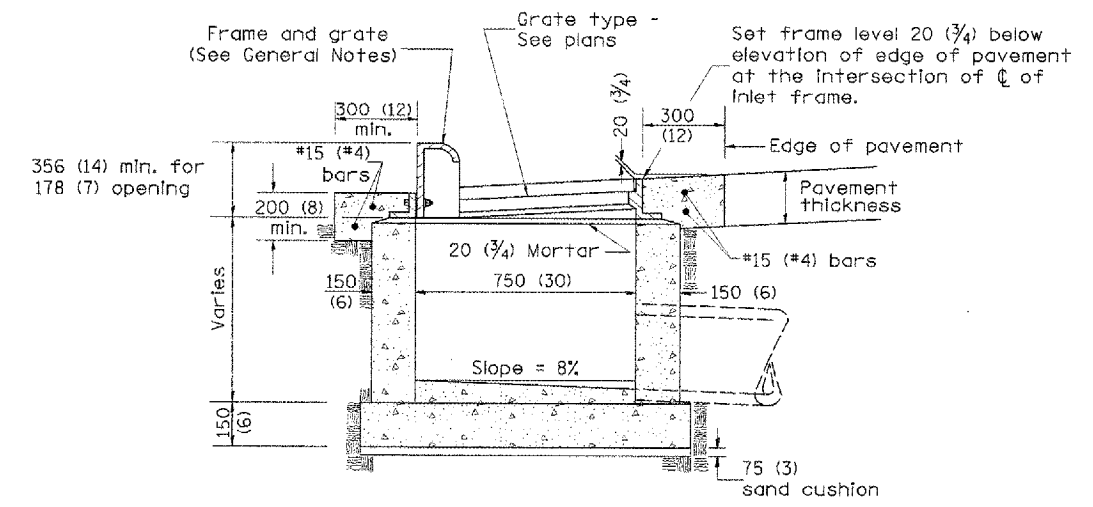
F.A.U. RTE.	SECTION	COUNTY	TOTAL SHEET NO.
MS 7600	05-00104-00-RS	TAZEWELL	154 102
STA.	TO STA.		
FED. ROAD DIST. NO.	ILLINOIS	FED. AID PROJECT	



PLAN



FRONT ELEVATION



ELEVATION (SIDE)

GENERAL NOTES

1. Inlet construction shall be in accordance with Section 602 of the Standard Specifications.
2. Combination Concrete Curb & Gutter shall be constructed in accordance with Section 606 of the Standard Specifications.
3. See District CADD Standard 604001-D4 for frame and grates.

All dimensions are in millimeters (Inches) unless otherwise noted.

ILLINOIS DEPARTMENT OF TRANSPORTATION  
DISTRICT CADD STANDARD

INLETS, TYPE G-1 DOUBLE, SPECIAL

CADD STANDARD 602016-D4  
SCALE NOT TO SCALE  
DATE \*\*DATE\*\*

DATE	REVISION	BY
1-1-97	RENUM. B-4.04, NEW REVISION BOX	T.P.
4-1-97	CORRECT DIMENSIONS	J.A.
10-99	REVISION TO GENERAL NOTES	J.A.

602016-D4

\*DCN-ONLY\*