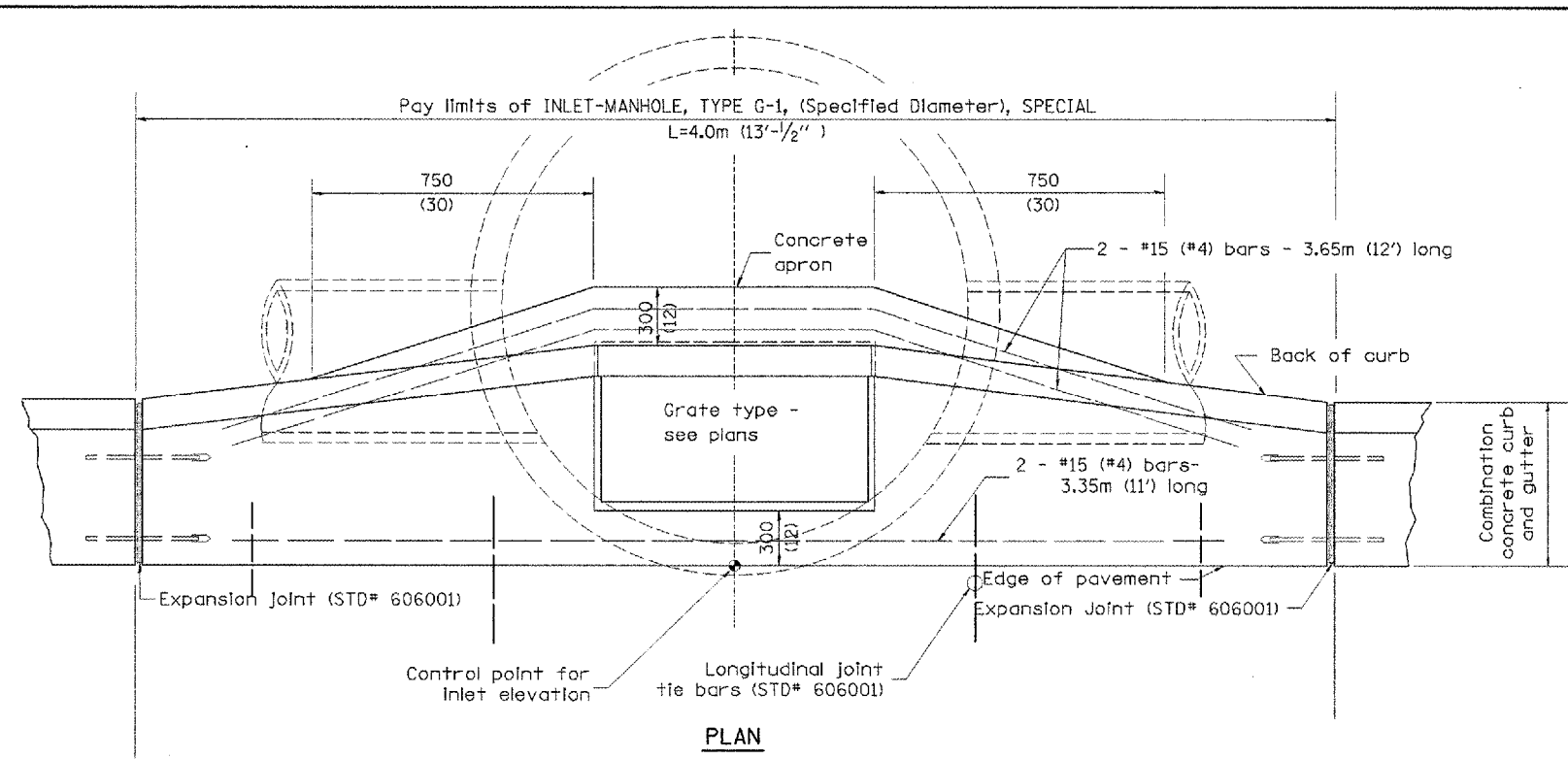
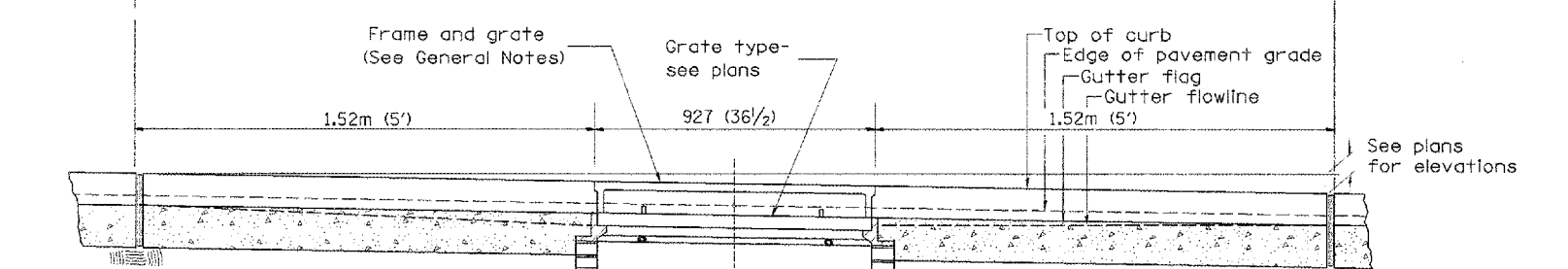


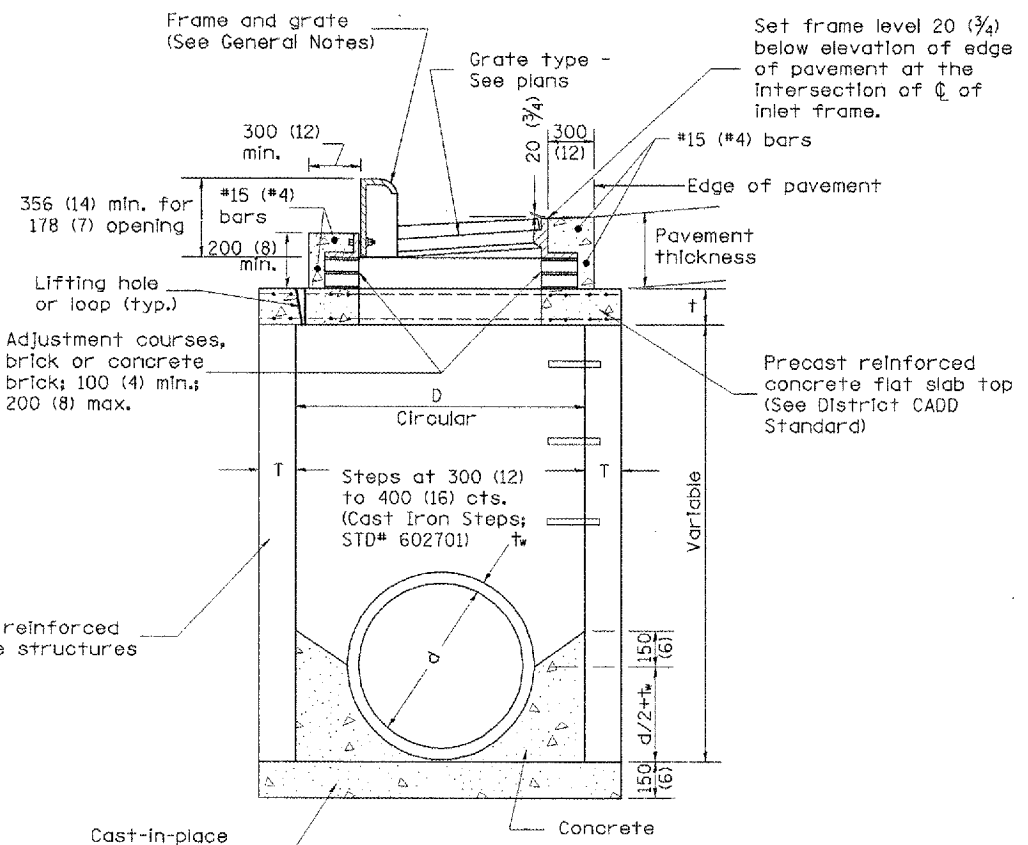
F.A.U. RTE.	SECTION	COUNTY	TOTAL SHEETS	SHEET NO.
MS 760005-00104-00-RS	TAZEWELL		154	103
STA.		TO STA.		
FED. ROAD DIST. NO.		ILLINOIS FED. AID PROJECT		



PLAN



ELEVATION (SIDE)



ELEVATION (FRONT)

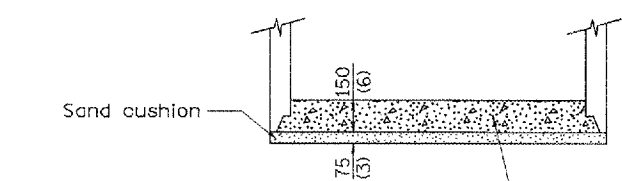
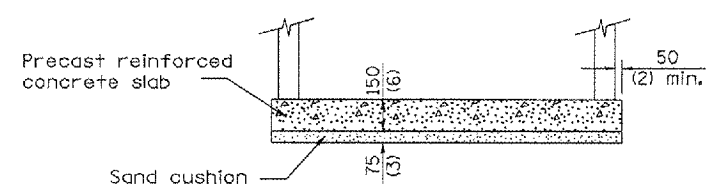
ELEVATION (SIDE)

TABLE

D	T	†
1.2m (4')	125 (5)	150 (6)
1.5m (5')	150 (6)	200 (8)
1.8m (6')	195 (7 3/4)	200 (8)
2.4m (8')	225 (9)	250 (10)

GENERAL NOTES

1. Inlet-manhole construction shall be in accordance with Section 602 of the Standard Specifications.
2. Combination concrete curb and gutter shall be constructed in accordance with Section 606 of the Standard Specifications.
3. See District CADD Standard 604001-D4 for frame and grates.
4. See District CADD Standard for precast reinforced concrete flat slab top.



Prefabricated concrete slab, when the precast reinforced concrete section alternate is used.

ALTERNATE BOTTOM SLAB

All dimensions are in millimeters (inches) unless otherwise noted.

ILLINOIS DEPARTMENT OF TRANSPORTATION
DISTRICT CADD STANDARD

INLET-MANHOLE, TYPE G-1, SPECIAL

CADD STANDARD 602026-D4
SCALE NOT TO SCALE
DATE **DATE**
DRAWN BY CADD
CHECKED BY

DATE	REVISIONS	BY
1-1-97	RENUM. B-4.06, NEW REVISION BOX	T.P.
12-1-98	CORRECT E. O. P. NOTE	J.A.
10-99	REVISION TO GENERAL NOTES	J.A.