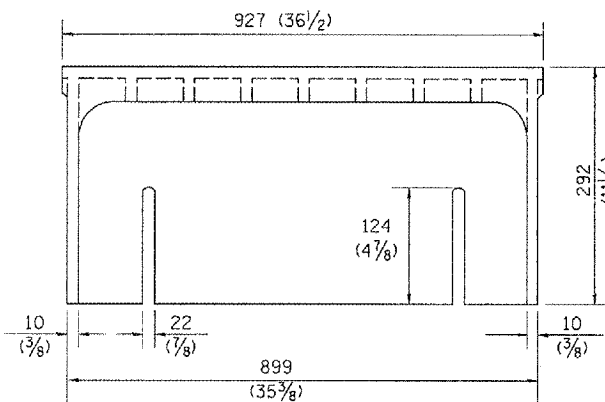
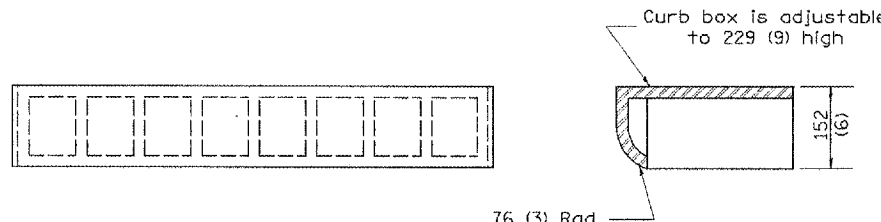
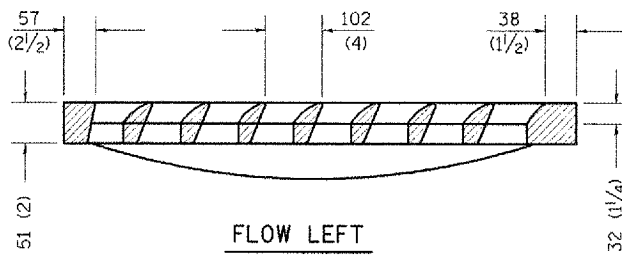
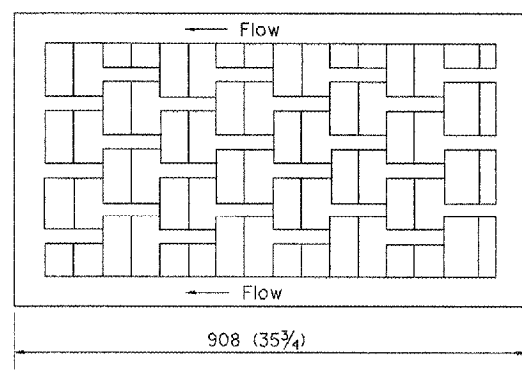


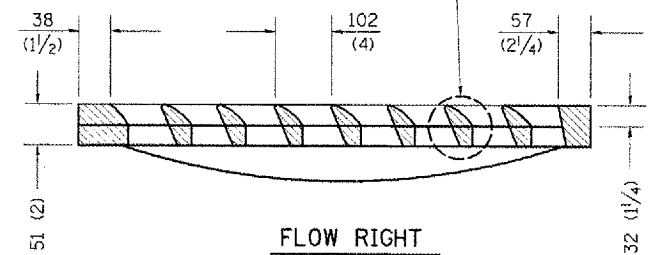
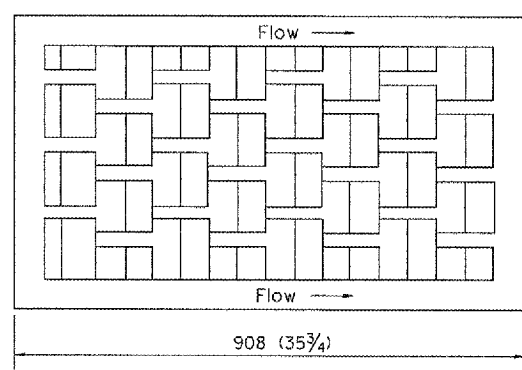
F.A.U. RITE.	SECTION	COUNTY	TOTAL SHEETS	SHEET NO.
MS 760005-00104-00-RS	TAZEWELL	ILLINOIS	154	104
STA.	TO STA.			
FED. ROAD DIST. NO.	ILLINOIS FED. AID PROJECT			



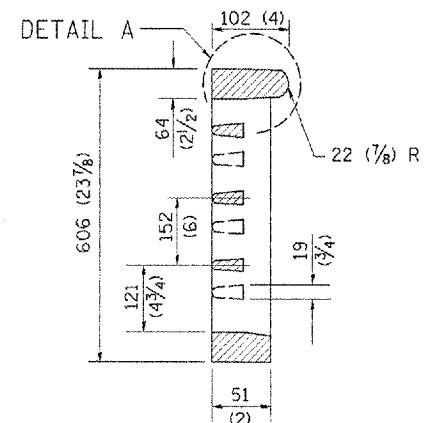
CAST CURB BOX
50 kg (110 lbs.)



FLOW LEFT



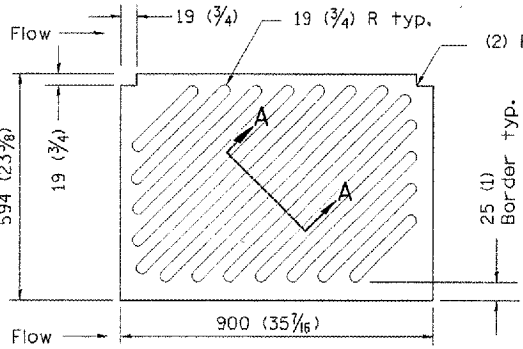
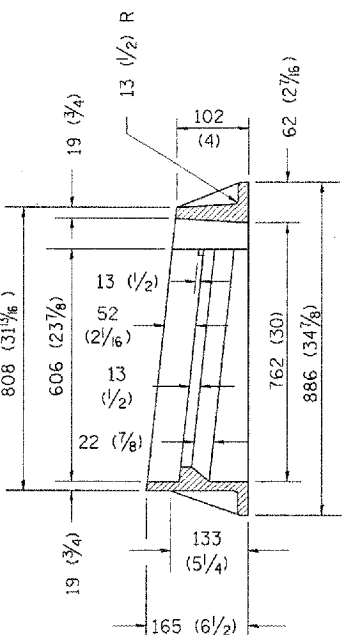
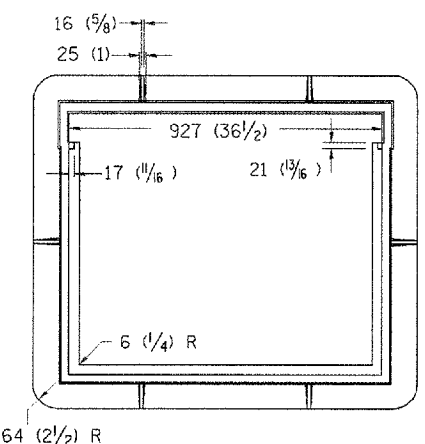
FLOW RIGHT



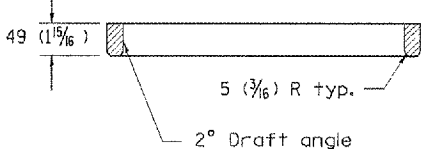
DETAIL B

CAST VANE GRATES

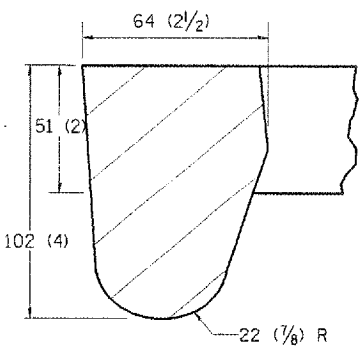
(SPECIFY LEFT OR RIGHT FLOW)
104 KG (230 lbs.)



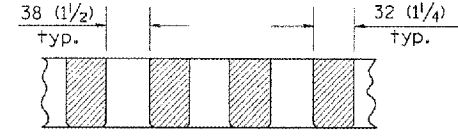
NOTE: Flow right shown



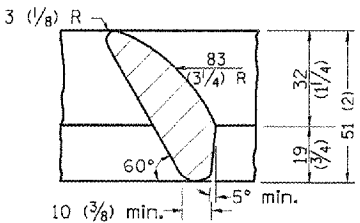
CAST DIAGONAL GRATE
(Reversible for flow)
98 kg (217 lbs.)



DETAIL A



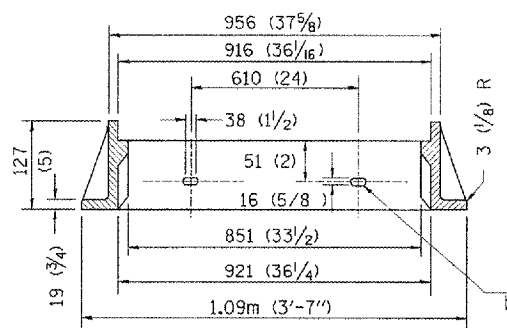
SECTION A-A



DETAIL B

GENERAL NOTES

- The frame and grate shown on this drawing are for use with all TYPE G-1 and TYPE G-1, SPECIAL DRAINAGE STRUCTURES. See plans for grate type and flow direction.
- Flow direction: As viewed from street side.
- Material: cast gray iron.



CAST FRAME
123 kg (271 lbs.)

All dimensions are in millimeters (inches) unless otherwise noted.

ILLINOIS DEPARTMENT OF TRANSPORTATION			
DISTRICT CADD STANDARD			
FRAME AND GRATES FOR			
TYPE G-1 AND TYPE G-1, SPECIAL			
DRAINAGE STRUCTURES			
CADD STANDARD 604001-D4			
SCALE NOT TO SCALE		DRAWN BY CADD	
DATE ##DATE##		CHECKED BY	

DATE	REVISIONS	BY
1-1-97	RENUM. B-10.01. NEW REVISION BOX	T.P.