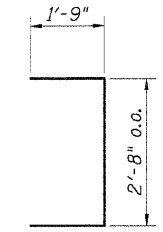
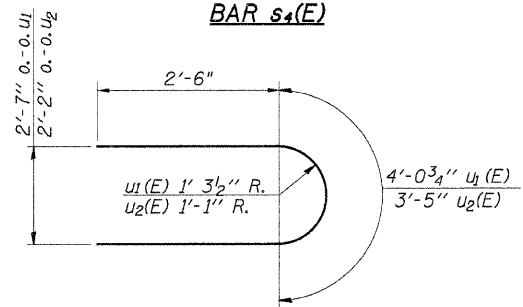


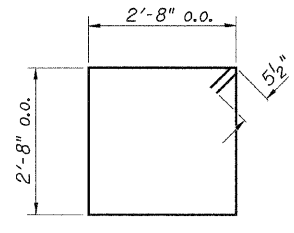
PLAN



BAR s4(E)

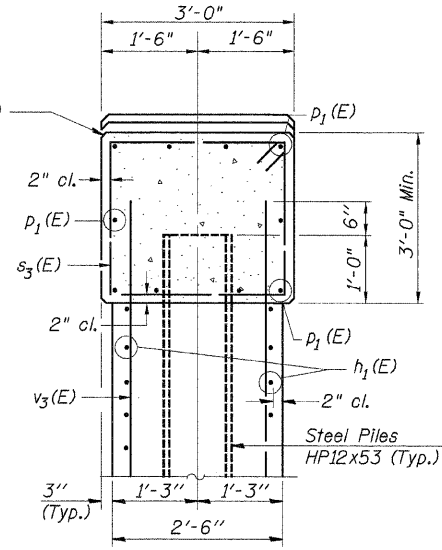


BAR u1(E) & u2(E)

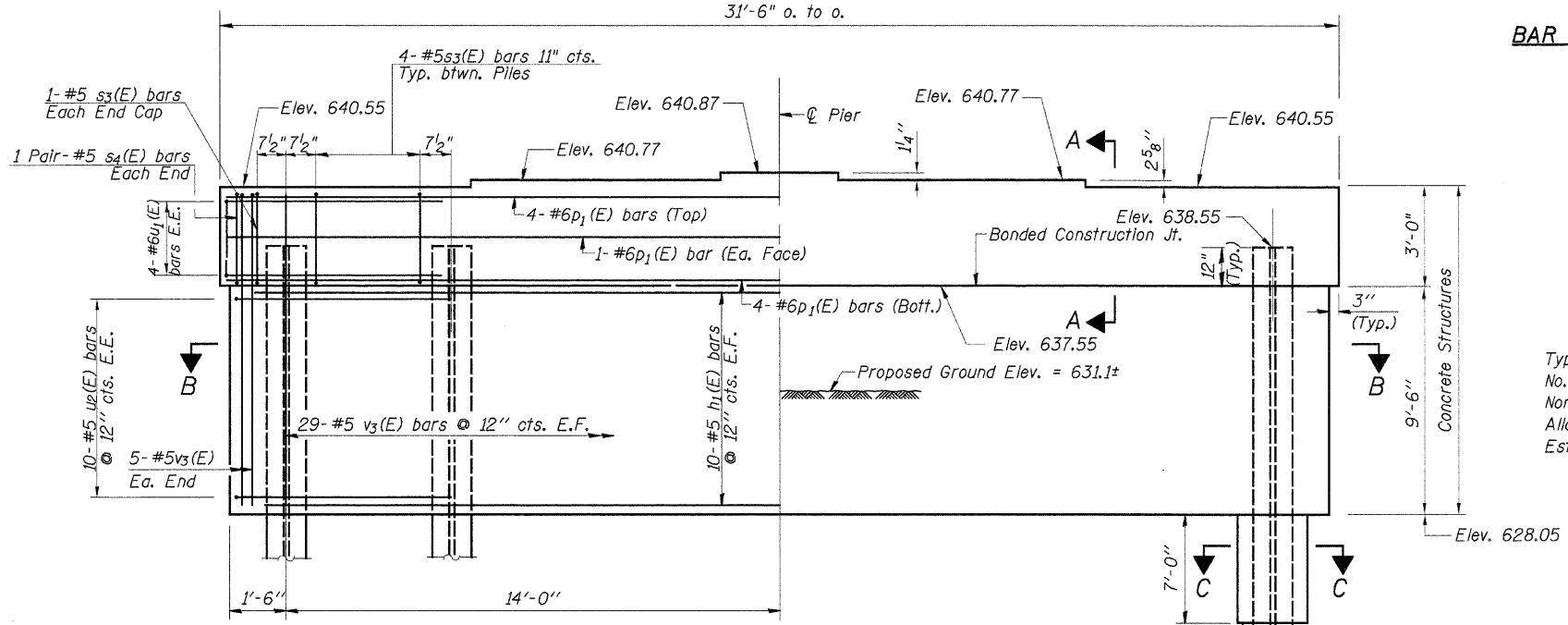


BAR s3(E)

MIN. BAR LAPS
 #5 ----- 1'-4"
 #6 ----- 1'-7"



SECTION A-A



ELEVATION
(Looking East)

NOTES

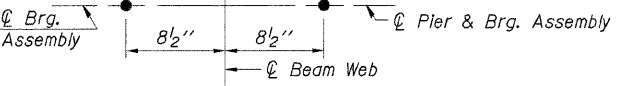
Space Reinforcement in cap to miss Anchor Bolts.
 Pour Steps monolithically with cap.
 All edges shall have the standard 3/4" Chamfer except as noted.
 Anchor Bolts at fixed bearings may be built into the masonry.

PILE DATA

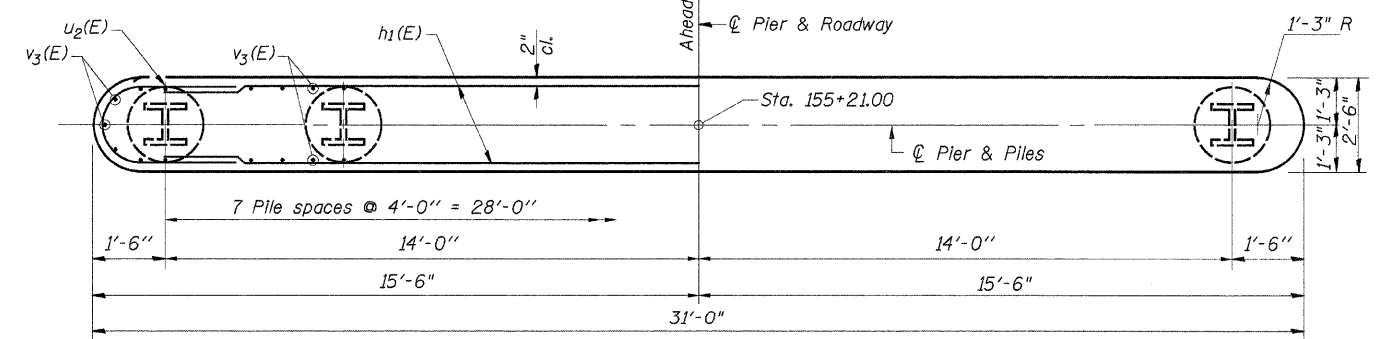
Type..... Steel HP12x53
 No. Req'd..... *8
 Nominal Required Bearing..... 418 kips
 Allowable Resistance Available..... 139 kips
 Est. Length..... 42 Feet/Pile

*Includes 1 Test Pile to be driven in a permanent location.

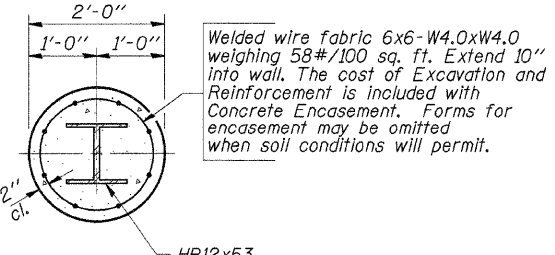
The steel H-piles shall be according to AASHTO M270 Grade 50.
 Drilled holes for 1/2" x 1'-6" Anchor Bolts Typical Ea. Beam See Sheet 12 of 17



ANCHOR BOLT LAYOUT



SECTION B-B



SECTION C-C

BILL OF MATERIAL

BAR	NO.	SIZE	LENGTH	SHAPE
h1(E)	20	#5	28'-6"	—
p1(E)	10	#6	28'-6"	—
s3(E)	30	#5	11'-7"	□
s4(E)	4	#5	6'-2"	□
u1(E)	8	#6	9'-1"	—
u2(E)	20	#5	8'-5"	—
v3(E)	68	#5	10'-10"	—
Concrete Structures			Cu. Yd.	37.2
Reinforcement Bars, Epoxy Coated			Pound	2,460
Steel Piles HP12x53			Foot	294
Test Pile HP12x53			Each	1
Concrete Encasement			Cu. Yd.	6.3
Underwater Structure Excavation Protection - Location 1			Each	1
Structure Excavation			Cu. Yd.	42

Reinforcement bars designated (E) shall be Epoxy Coated

DESIGNED	A.R.K.
CHECKED	F.J.S. & S.F.M.
DRAWN	S.A.P.
CHECKED	A.R.K. & F.J.S.

PIER 1
 SECTION 03-00147-01-BR
 COUNTY HIGHWAY 7
 STARK COUNTY
 STATION 155+75