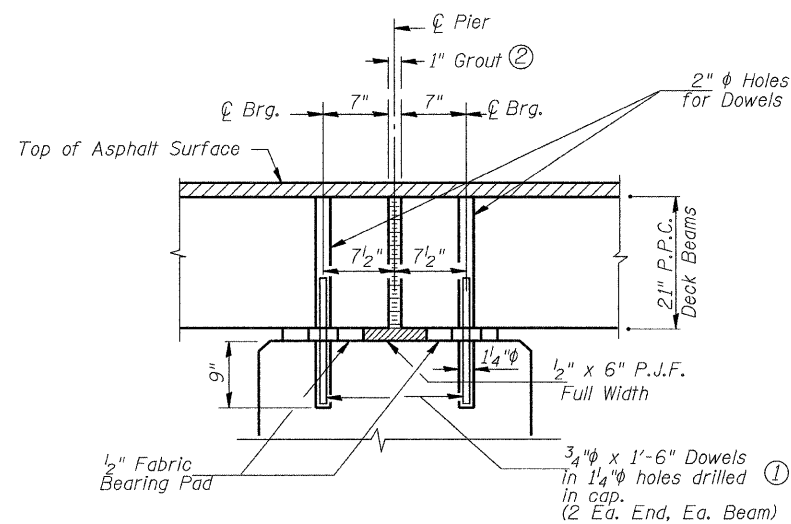
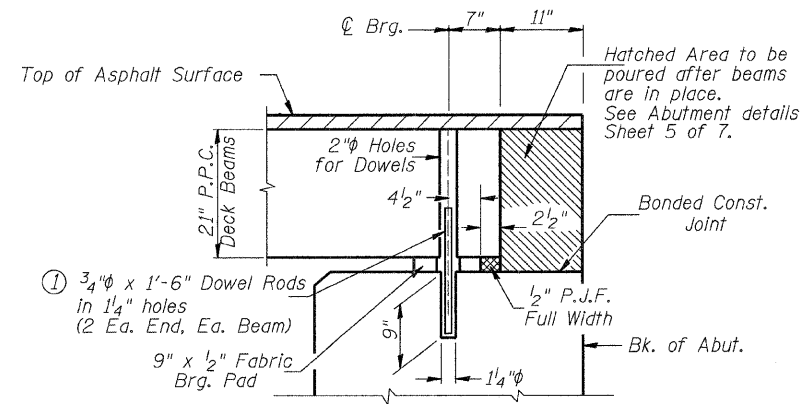


**RAIL POST SPACING**

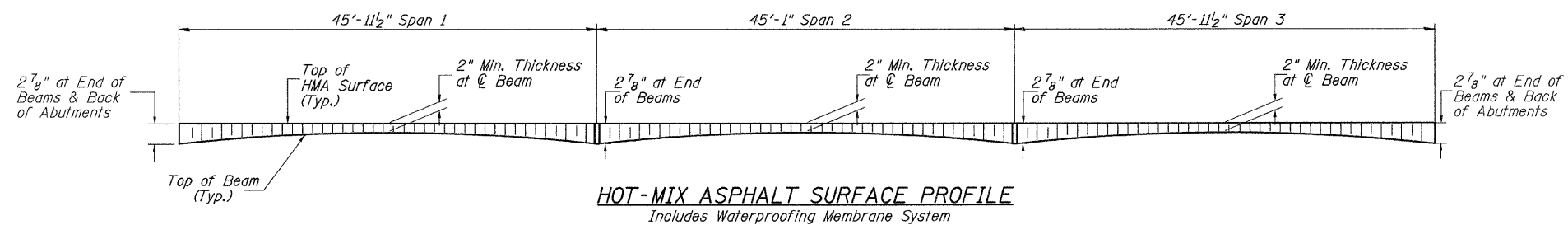


**SECTION THRU PIERS**



**SECTION THRU ABUTMENTS**

- ① Dowel Rods to be grouted after beams are in place and allowed to cure (Min. 24 hr.) prior to grouting the shear keys.
- ② 1" Joint shall be packed with a very dry mix of 2:1 sand and P.C. mortar. 1" Dimension may vary plus or minus to accommodate tolerance in beam lengths.



**HOT-MIX ASPHALT SURFACE PROFILE**  
Includes Waterproofing Membrane System

**SUPERSTRUCTURE DETAILS,  
HMA SURFACE PROFILE  
AND RAIL POST SPACING  
COUNTY HIGHWAY 32  
OVER NORTH FORK  
MAUVAISE TERRE CREEK  
SECTION 07-00098-00-BR  
MORGAN COUNTY  
STATION 20+00.00**