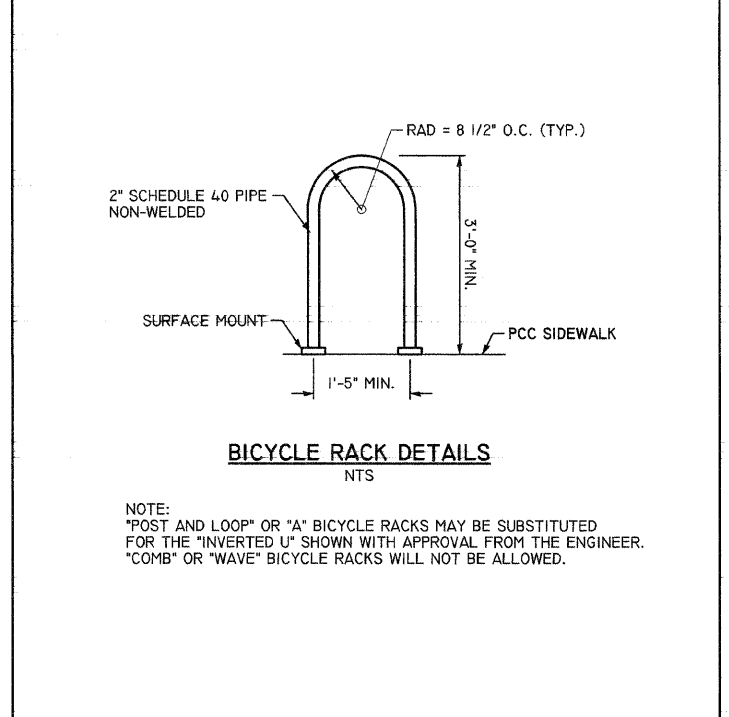
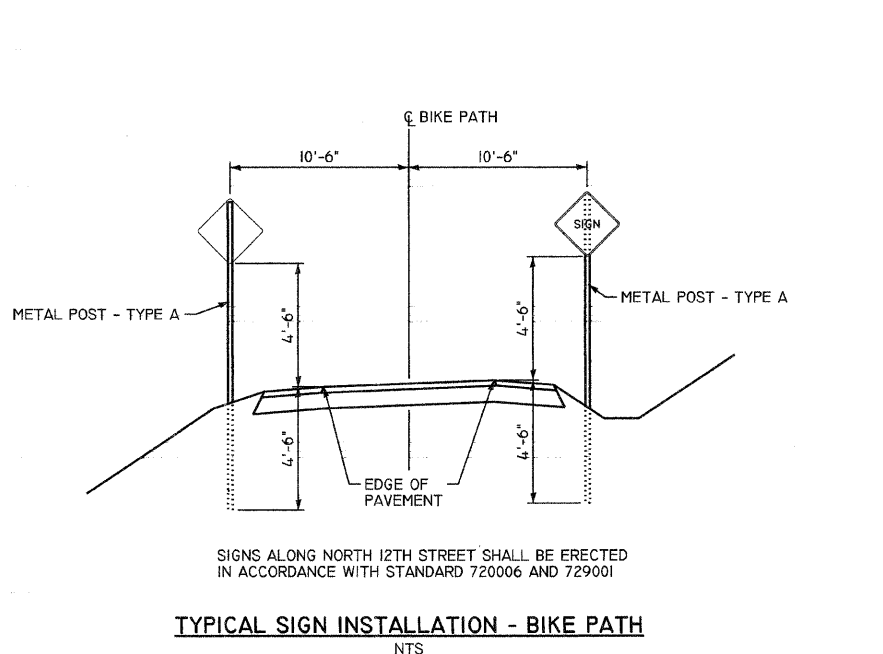
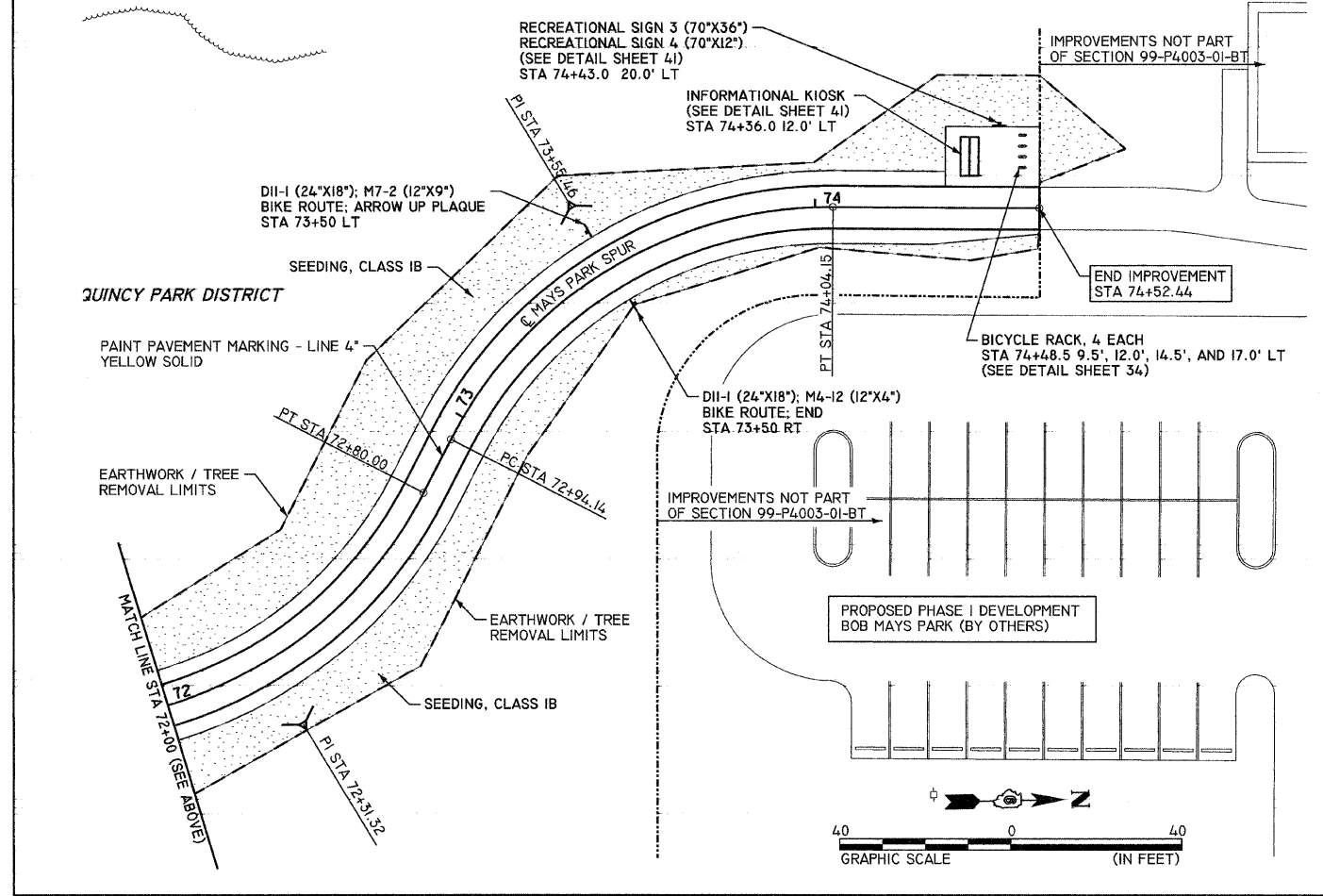
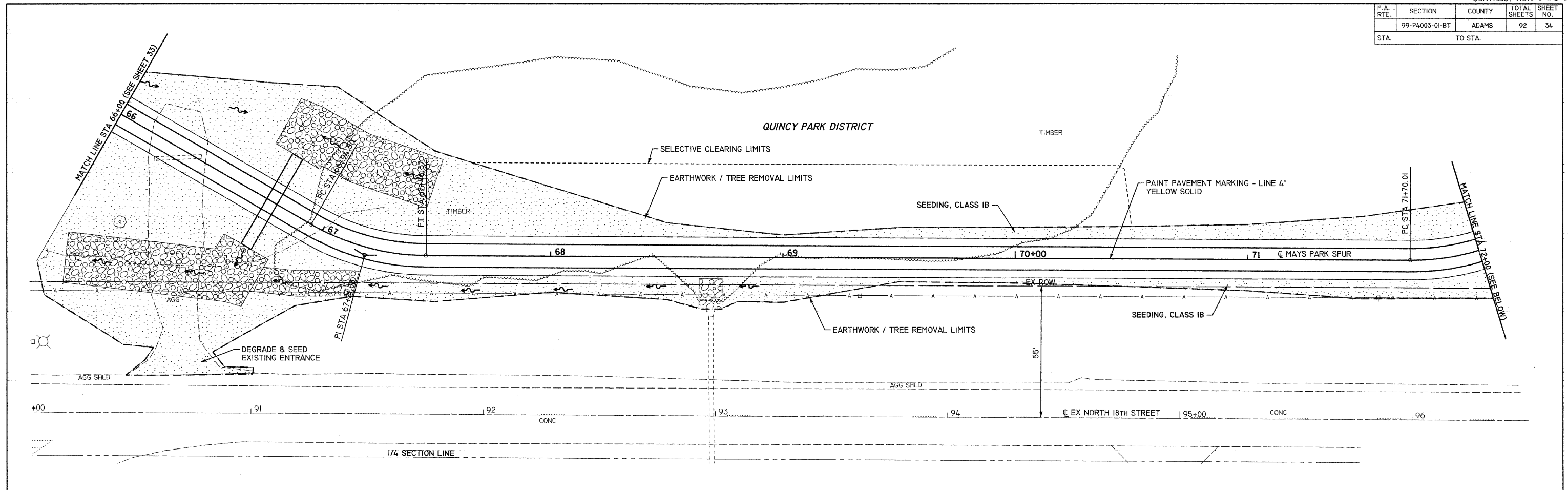
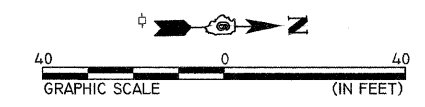


F.A. RTE.	SECTION	COUNTY	TOTAL SHEETS	SHEET NO.
99-P4003-01-BT		ADAMS	92	34
STA.	TO STA.			



PLOT DATE = 2/1/2008
 FILE NAME = P:\04\PLANS\2009\99-P4003-01-BT.CONST_PLANS\042511-942101.DWG
 PLOT SCALE = 20,000.0 / IN.
 USER NAME = JEB



REVISIONS	
NAME	DATE

LANDSCAPING, SIGNAGE, & STRIPING PLAN
MAYS PARK SPUR
STA 66+00 TO STA 74+52

99-P4003-01-BT
QUINCY PARK DISTRICT, ADAMS COUNTY

SCALE: VERT. 1"=20'
 HORIZ. 1"=20'

DATE: 2/1/2008

DRAWN BY: SEB
 CHECKED BY: DCD