

BM - Top of Sanitary Sewer Manhole located
Sta 101+35.3 13.6' Rt Elev = 545.89

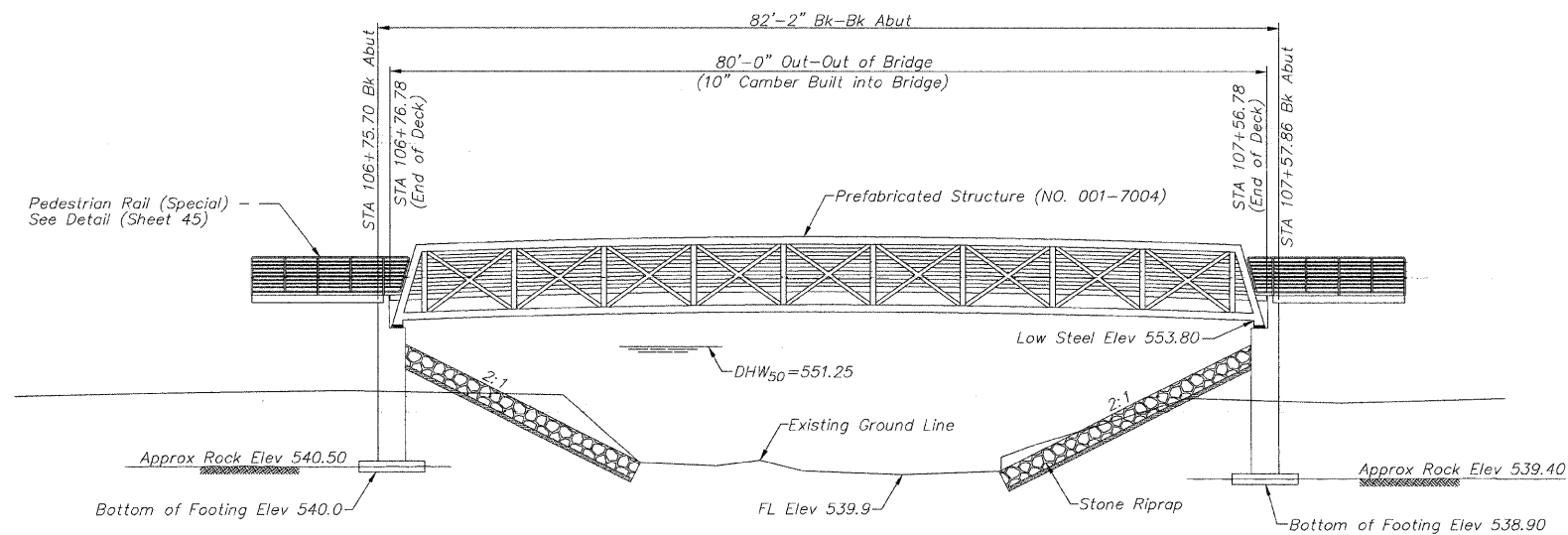
SECTION	COUNTY	TOTAL SHEETS	SHEET NO.
99-P4003-01-BT	ADAMS	92	36
FED. ROAD DIST. NO. 7		ILLINOIS	FED. RD. PROJECT

SHEET NO. 1
2 SHEETS

Contract #

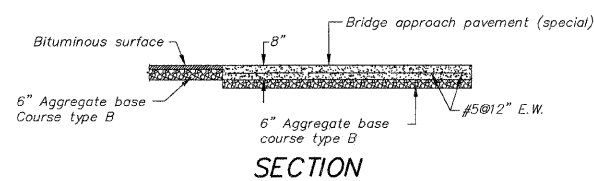
GENERAL NOTES

- Class SI Concrete shall be used throughout.
- See special provisions for boring logs.
- All grout shall be non-shrink.
- Stone Riprap shall be placed to the dimensions shown over a Geotechnical Fabric in accordance with the riprap placement detail & the applicable Special Provisions.
- Modifications to the abutments required to accommodate the prefabricated bridge selected shall be at no additional cost to the owner.
- Deck shall be composed of treated timber planks perpendicular to the centerline of the trail.

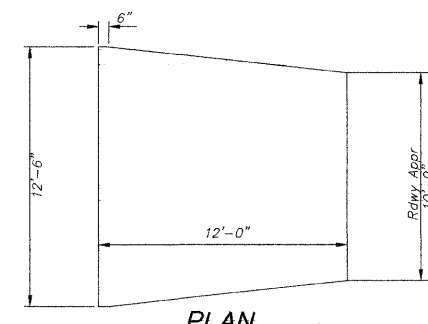


ELEVATION
SCALE: 1/8" = 1'-0"

Note: Footing to be keyed into sound bedrock to elevation shown or 6" min. if sound bedrock is not present at established elevations.

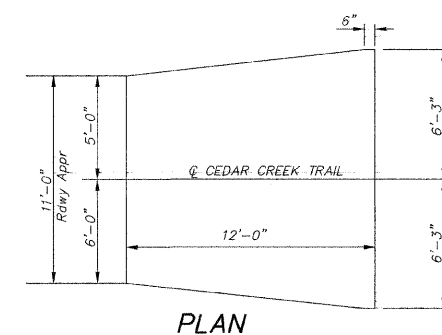


SECTION



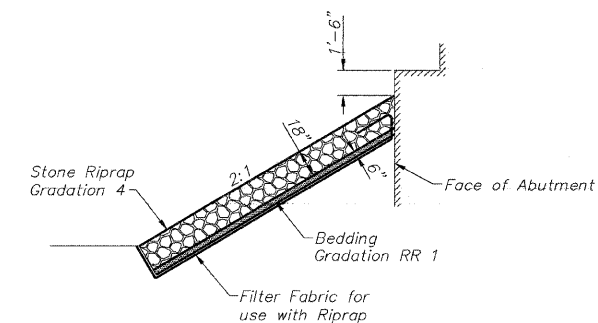
PLAN

BRIDGE APPROACH PAVEMENT (SPECIAL)
Sta 107+57.36 to Sta 107+69.36

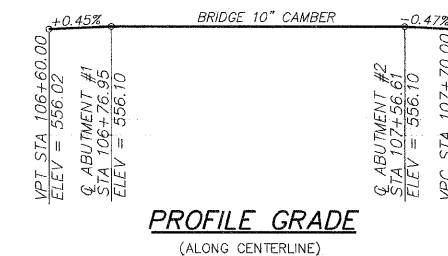


PLAN

BRIDGE APPROACH PAVEMENT (SPECIAL)
Sta 106+64.20 to Sta 106+76.20



RIPRAP PLACEMENT KEYED INTO ROCK

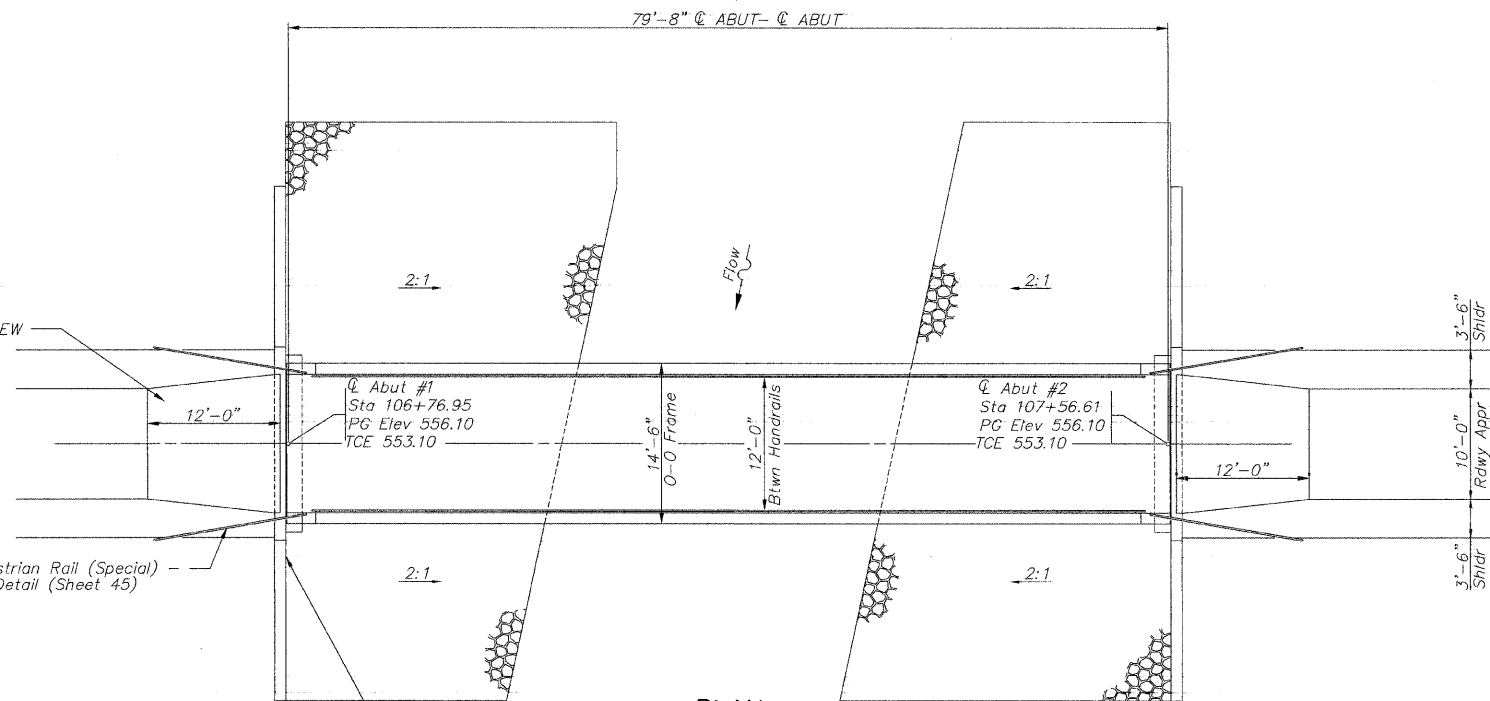


PROFILE GRADE
(ALONG CENTERLINE)

TOTAL BILL OF MATERIALS

ITEM	UNIT	TOTAL
Pedestrian Truss Superstructure	Sq Ft	960
Name Plates	Each	1
Concrete Structures	Cu Yd	63.3
Reinforcement Bars, Epoxy Coated	Pound	4240
Rock Excavation for Structures	Cu Yd	3.6
Rock Excavation	Cu Yd	23

8" Bridge Approach Pavement (Special) with #5 bars @ 12" EW typ. ea. end



PLAN
SCALE: 1/8" = 1'-0"

Name Plate Location (embed into wall)

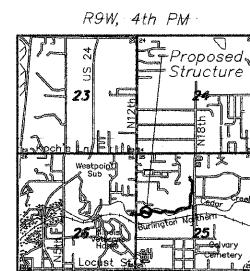
CEDAR CREEK
BUILT 200_ BY
QUINCY PARK DISTRICT
SEC. 99-P4003-01-BT (STE PROGRAM)
STATION 107+16.78
STR. NO. 001-7004 LOADING H 15-44

NAME PLATE
See Std. 515001

WATERWAY INFORMATION

DRAINAGE AREA		7.15 SQ. MI.		LOW GRADE ELEV. 539.80 @ STA. 101+79.0		
FLOOD	FREQ. YR.	Q C.F.S.	OPENING SQ. FT.	NAT. H.W.E.	HEAD-FT. EXIST. PROP.	HEADWATER EL. EXIST. PROP.
FLOOD	10	3588	N/A 515	549.35	0.0 0.18	549.35 549.53
DESIGN	50	5567	N/A 666	551.25	0.0 0.17	551.25 551.42
BASE	100	6417	N/A 706	551.90	0.0 0.02	551.90 551.92

Construction Permit: DS2007119 Issued by IDNR/DWR



LOCATION MAP

"I certify that to the best of my knowledge, information, and belief, this sub structure design is structurally adequate for the design loading shown on the plans. The design is an economical one for the style of structure and complies with requirements of the current 'AASHTO Standard Specifications for Highway Bridges.'"

William L. Wells
Licensed Structural Engineer
State of Illinois No. 081-004362
License Expires 11/30/08
State of Illinois Design Firm No. 184-2738

**PLAN AND ELEVATION
CEDAR CREEK LINEAR PARK OVER
CEDAR CREEK
SECTION 99-P4003-01-BT
ADAMS COUNTY
STRUCTURE NUMBER 001-7004
STATION 107+16.78**