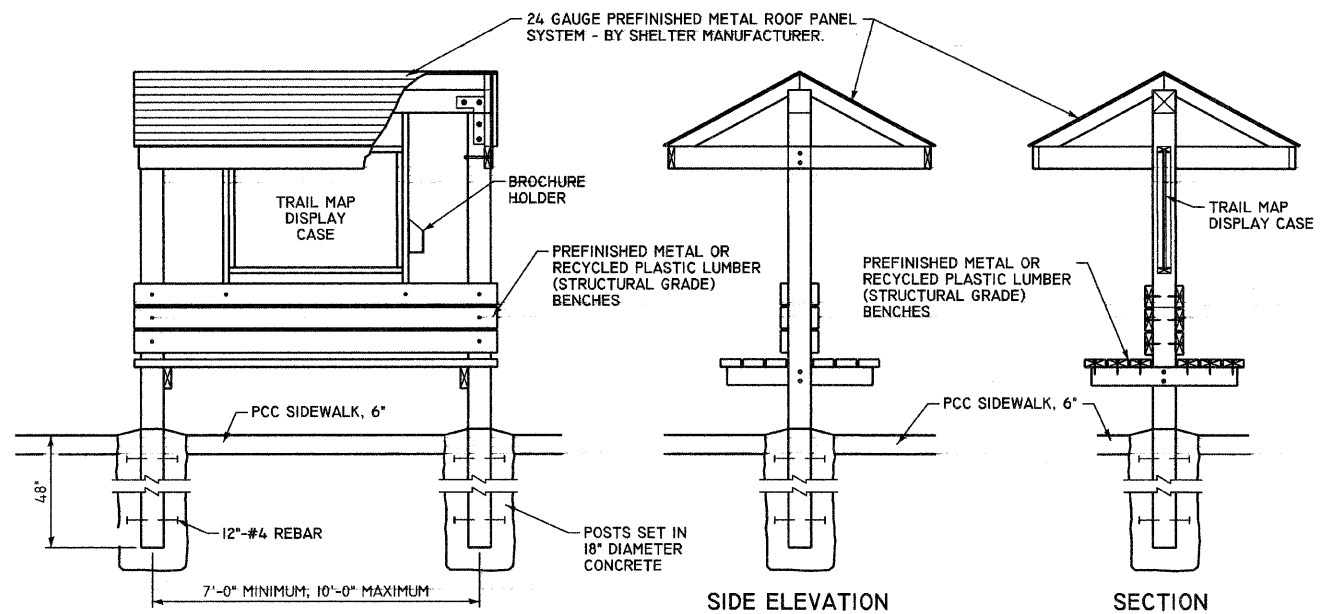


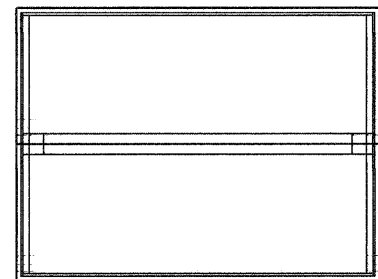
F.A. RTE.	SECTION	COUNTY	TOTAL SHEETS	SHEET NO.
	99-P4003-01-BT	ADAMS	92	41
STA.	TO STA.			



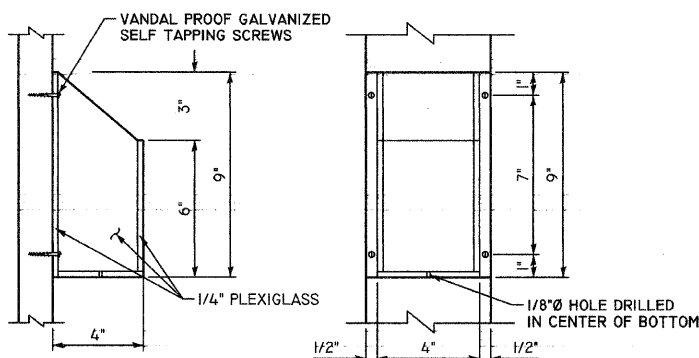
FRONT ELEVATION

SIDE ELEVATION

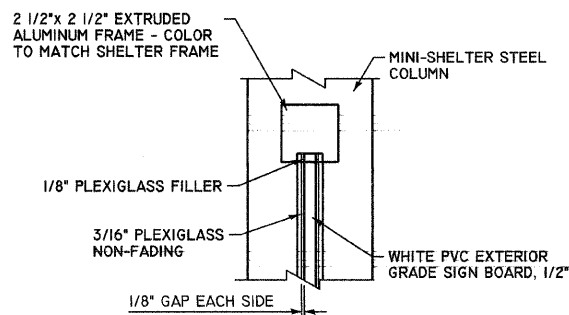
SECTION



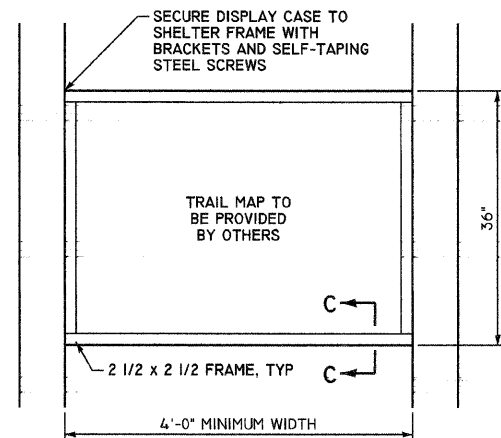
PLAN



BROCHURE HOLDER



SECTION C-C

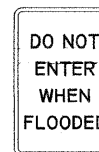


TRAIL MAP DISPLAY CASE DETAIL

**INFORMATION KIOSK DETAIL**

**NOTES:**

1. SHELTER SHALL BE A PRE-ENGINEERED MINI SHELTER AS SPECIFIED.
2. LOCATE SHELTERS IN LOCATIONS INDICATED IN THE PLANS.
3. KIOSK ROOF AND POST COLORS TO MATCH EXISTING SHELTER AT BOB MAYS PARK.

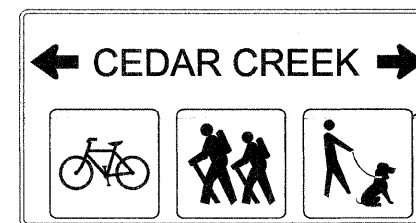


R9 - SIGNS

BLACK LETTERING AND BORDER ON A WHITE BACKGROUND

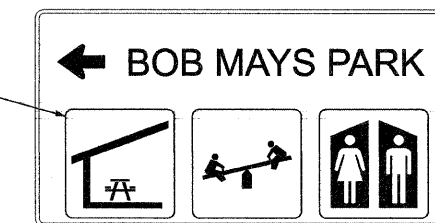
W8 - SIGNS

BLACK LETTERING AND BORDER ON A YELLOW BACKGROUND



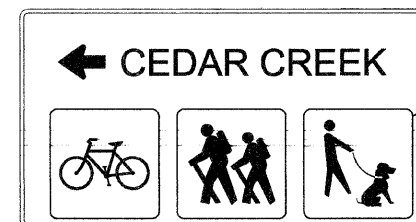
RECREATIONAL SIGN 1

WHITE LETTERING AND BORDER ON A BROWN BACKGROUND



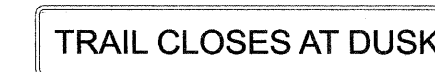
RECREATIONAL SIGN 2

WHITE LETTERING AND BORDER ON A BROWN BACKGROUND



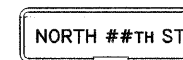
RECREATIONAL SIGN 3

WHITE LETTERING AND BORDER ON A BROWN BACKGROUND



RECREATIONAL SIGN 4

WHITE LETTERING AND BORDER ON A BROWN BACKGROUND (SERIES C 2000 LETTERING)



MOUNT ON TOP OF TYPE A METAL POST WITH U CHANNEL BRACKET

STREET SIGN

WHITE LETTERING AND BORDER ON A GREEN BACKGROUND

6 STREET SIGNS REQUIRED (DOUBLE SIDED)

- \*NORTH 12TH ST\*
- \*NORTH 13TH ST\*
- \*NORTH 14TH ST\*
- \*NORTH 15TH ST\*
- \*NORTH 16TH ST\*
- \*NORTH 17TH ST\*

**NONSTANDARD SIGN DETAILS**

NTS

NOTE: NONSTANDARD SIGNS SHALL BE PAID FOR AS "SIGN PANEL - TYPE # (SPECIAL)"

REVISIONS	
NAME	DATE

**MISCELLANEOUS DETAILS**

**INFORMATION KIOSK & SIGNS**

99-P4003-01-BT

QUINCY PARK DISTRICT, ADAMS COUNTY

SCALE: VERT. NONE HORIZ. NONE  
DATE: 2/1/2008 DRAWN BY: SEB CHECKED BY: DCD

PLOT DATE = 2/1/2008  
 FILE NAME = P:\99\FILES\99\2010\2010\CONSTR\_PLANS\04\KIOSK\_04\_2010\_13.dwg  
 PLOT SCALE = 20,000 / 1" = 1' = 1" / 20,000  
 USER NAME = SEB