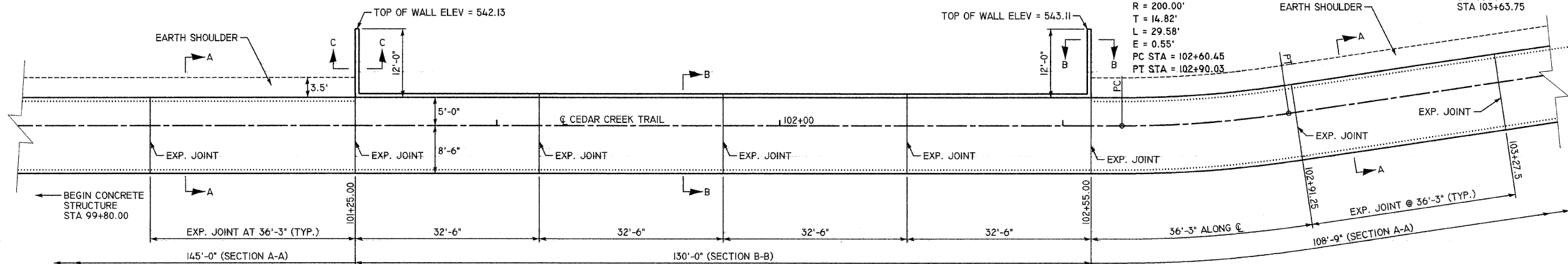
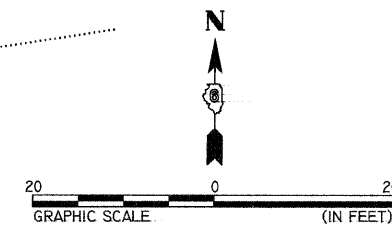


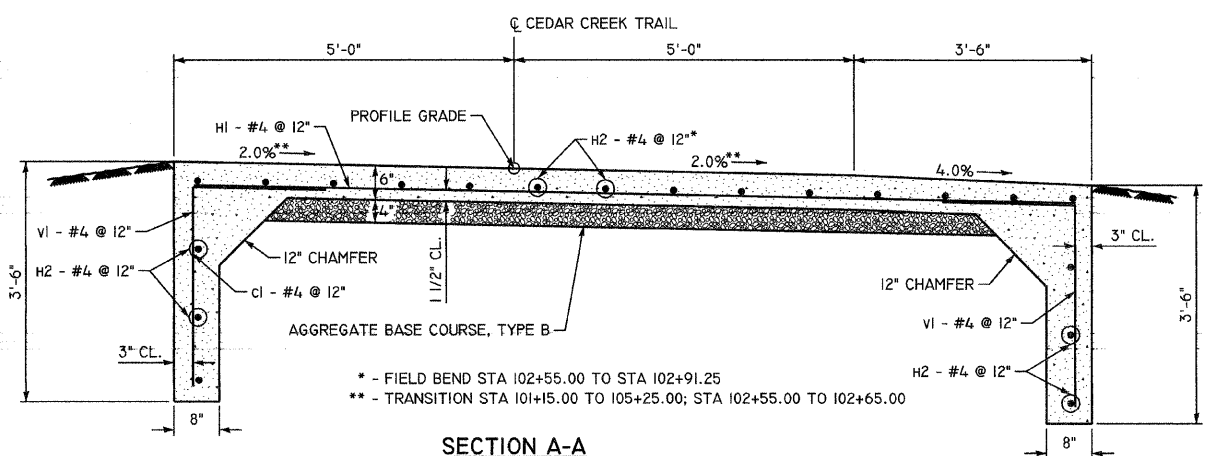
| F.A. RTE. | SECTION | COUNTY | TOTAL SHEETS | SHEET NO. |
|----------------|---------|--------|--------------|-----------|
| 99-P4003-01-BT | | ADAMS | 92 | 43 |
| STA. | TO STA. | | | |

CEDAR CREEK TRAIL CURVE #1 DATA:

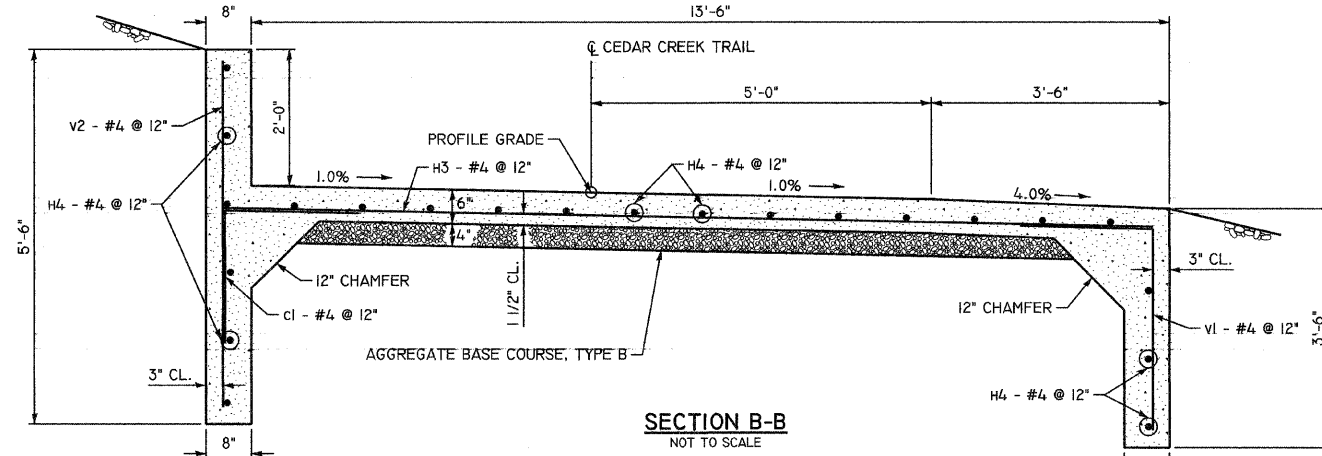
PI STA = 102+75.27
 $\Delta = 8^\circ 28' 29"$ (LT)
 $D = 28^\circ 38' 52"$
 $R = 200.00'$
 $T = 14.82'$
 $L = 29.58'$
 $E = 0.55'$
 PC STA = 102+60.45
 PT STA = 102+90.03



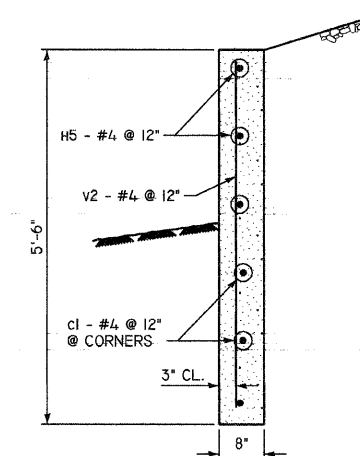
PLAN
SCALE 1"=10'



SECTION A-A
NOT TO SCALE

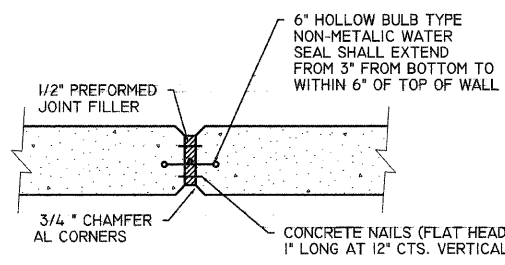


SECTION B-B
NOT TO SCALE

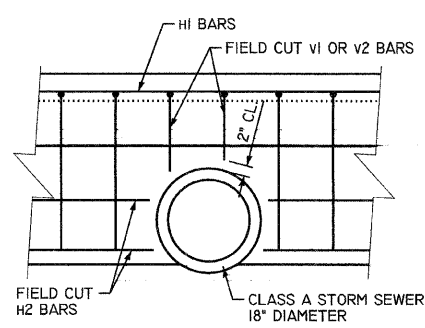


SECTION C-C
NOT TO SCALE

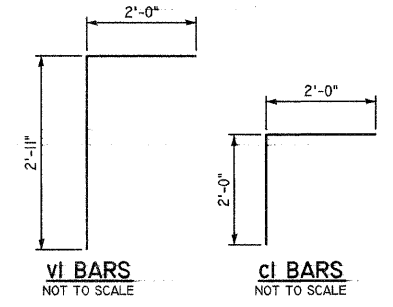
* - FIELD BEND STA 102+55.00 TO STA 102+91.25
 ** - TRANSITION STA 101+15.00 TO 105+25.00; STA 102+55.00 TO 102+65.00



EXPANSION JOINT (VERTICAL) DETAIL
NOT TO SCALE, REINFORCEMENT NOT SHOWN



WALL OPENING FOR STORM SEWER
NOT TO SCALE
STA 101+00.0 AND STA 102+75.0



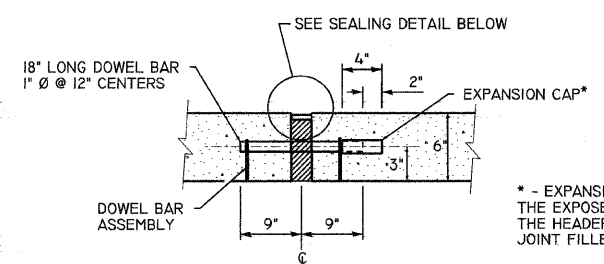
VI BARS
NOT TO SCALE

CI BARS
NOT TO SCALE

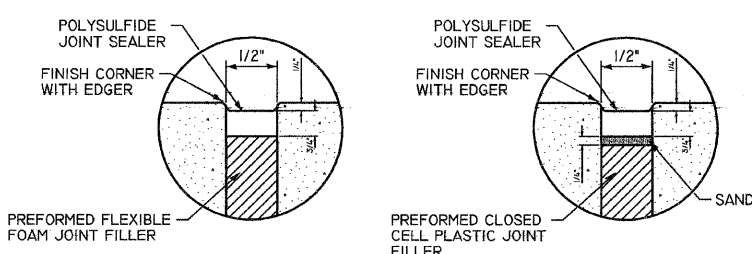
BILL OF MATERIALS

| BAR | NO. | SIZE | LENGTH (FT) | SHAPE |
|----------------------------------|-----|-------|-------------|-------|
| C1 | 140 | #4 | 4'-0" | ┌ |
| H1 | 252 | #4 | 13'-0" | — |
| H2 | 140 | #4 | 35'-9" | — |
| H3 | 128 | #4 | 13'-8" | — |
| H4 | 88 | #4 | 32'-0" | — |
| H5 | 12 | #4 | 11'-4" | — |
| V1 | 632 | #4 | 4'-11" | └ |
| V2 | 152 | #4 | 5'-2" | — |
| ITEM | | UNIT | QUANTITY | |
| CONCRETE STRUCTURES | | CU YD | 176.4 | |
| REINFORCEMENT BARS, EPOXY COATED | | POUND | 11650 | |

- GENERAL NOTES**
- 1) REINFORCEMENT BARS SHALL CONFORM TO THE REQUIREMENTS OF ASTM A706 GRADE 60.
 - 2) ALL REINFORCEMENT BARS SHALL BE EPOXY COATED EXCEPT AS NOTED.
 - 3) ALL EXPOSED CONCRETE EDGES SHALL BE CHAMFERED 3/4" EXCEPT AS NOTED.
 - 4) THE HORIZONTAL WALKING SURFACES OF THE CONCRETE STRUCTURES SHALL BE FINISHED IN ACCORDANCE WITH SECTION 424.06 OF THE STANDARD SPECIFICATIONS FOR ROAD AND BRIDGE CONSTRUCTION.
 - 5) CONCRETE BELOW GRADE MAY BE FORMED WITH SMOOTH EARTH.



EXPANSION JOINT (HORIZONTAL) DETAIL
NOT TO SCALE



SEALING DETAIL
NOT TO SCALE

| REVISIONS | |
|-----------|------|
| NAME | DATE |
| | |
| | |
| | |

MISCELLANEOUS DETAILS
CONCRETE STRUCTURE #1
12TH STREET BRIDGE
 99-P4003-01-BT
 QUINCY PARK DISTRICT, ADAMS COUNTY
 SCALE: VERT. 1"=10'
 HORIZ. 1"=10'
 DATE 2/1/2008
 DRAWN BY SEB
 CHECKED BY DCD

PLOT DATE = 2/1/2008
 FILE NAME = P:\G4\15\9420\9420\15\CONST_PLANS\04\34003_94\301_13.dwg
 PLOT SCALE = 1/8"=1'-0"
 USER NAME = SEB