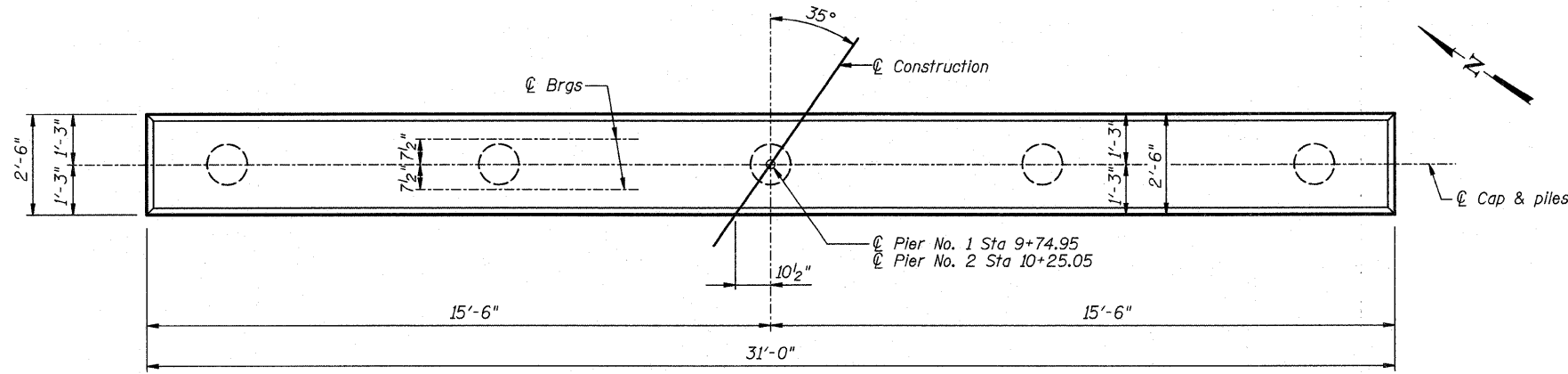
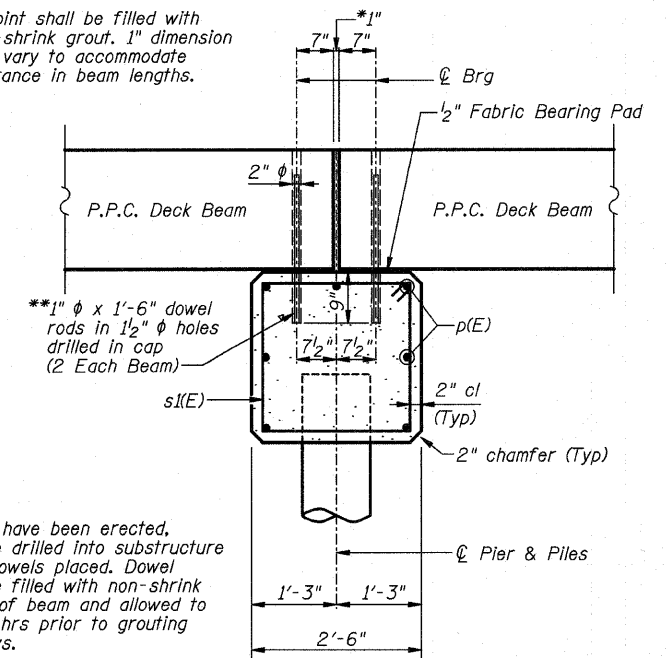


Sheet No. 6
of 7 Sheets

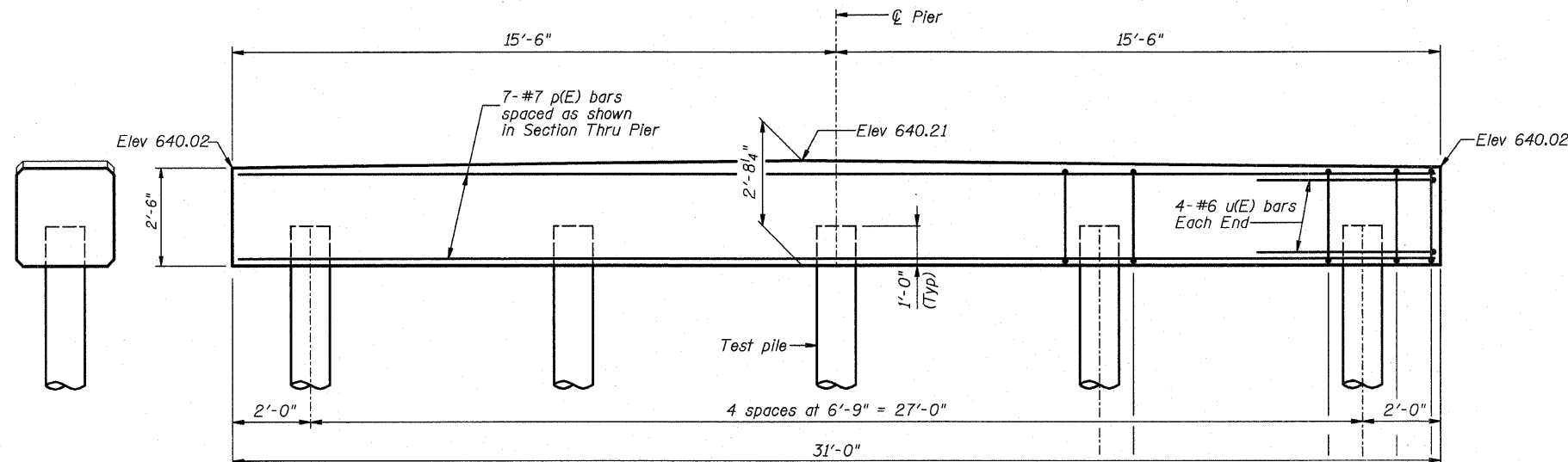
ROUTE NO.	SECTION	COUNTY	TOTAL SHEETS	SHEET NO.
TR 23	*	MACON	22	11
FED. ROAD DIST. NO.		ILLINOIS	PROJECT	
*05-04163-00-BR				



*1" joint shall be filled with non-shrink grout. 1" dimension may vary to accommodate tolerance in beam lengths.



**After beams have been erected, holes shall be drilled into substructure and anchor dowels placed. Dowel holes shall be filled with non-shrink grout to top of beam and allowed to cure min 24 hrs prior to grouting the shear keys.



END VIEW

ELEVATION

PIER NO. 1 BILL OF MATERIAL

Bar	No.	Size	Length	Shape
p(E)	7	#7	30'-8"	—
s(E)	26	#4	9'-5"	□
u(E)	8	#6	11'-1"	▭
Concrete Structures		Cu Yd	7.4	
Reinforcement Bars (Epoxy Coated)		Pound	740	
Furnishing Metal Pile Shells 14"		Foot	175	
Driving Piles		Foot	175	

Reinforcement bars designated (E) shall be epoxy coated.

PIER NO. 2 BILL OF MATERIAL

Bar	No.	Size	Length	Shape
p(E)	7	#7	30'-8"	—
s(E)	26	#4	9'-5"	□
u(E)	8	#6	11'-1"	▭
Concrete Structures		Cu Yd	7.4	
Reinforcement Bars (Epoxy Coated)		Pound	740	
Furnishing Metal Pile Shells 14"		Foot	140	
Driving Piles		Foot	140	
Test Pile Metal Shells		Each	1	

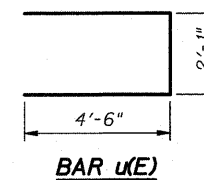
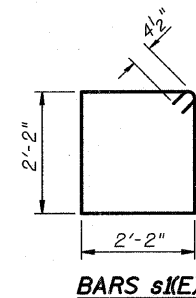
Reinforcement bars designated (E) shall be epoxy coated.

PILE DATA:

Type and Size: Metal Shell 14 in dia x 0.25 in walls
Nominal Required Bearing: 300 kips
Allowable Resistance Available: 100 kips
Est. Length: 35'
No. Production Piles: 5
No. Test Piles: 0

PILE DATA:

Type and Size: Metal Shell 14 in dia x 0.25 in walls
Nominal Required Bearing: 300 kips
Allowable Resistance Available: 100 kips
Est. Length: 35'
No. Production Piles: 4
No. Test Piles: 1



PIER DETAILS

REVISIONS	SECTION 05-04163-00-BR	FRIENDS CREEK ROAD DISTRICT	DRAWN BY DATE
No. DATE INITIALS	MACON	SN 058-3383	R KING 11/07
1		COUNTY	CHECKED BY DATE
2			JMB 11/07
3			BOOK NUMBER
4			314
5			PROJECT No.
6			5129
7			SHEET No.
8			
9			
10			

HOMER L. CHASTAIN & ASSOCIATES, LLP
CONSULTING ENGINEERS
184-00197

DECATUR CHICAGO
(217) 422-8544 (773) 714-0050

ROCKFORD
(815) 489-0050