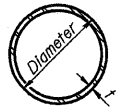


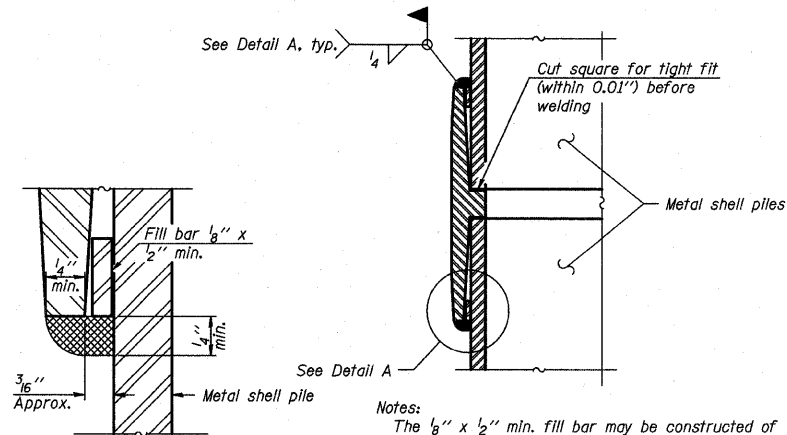
ROUTE NO.	SECTION	COUNTY	TOTAL SHEETS	SHEET NO.
TR 23	*	MACON	22	12
FED. ROAD DIST. NO.		ILLINOIS PROJECT		

*05-04163-00-BR



METAL SHELL PILE TABLE

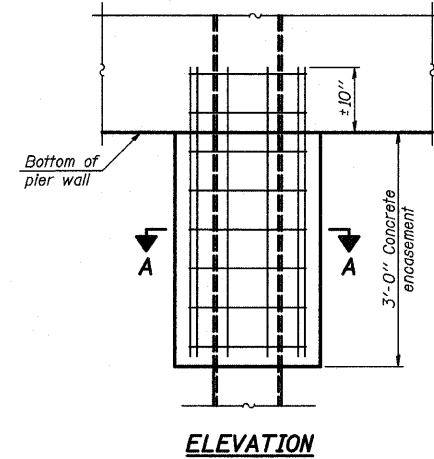
Designation	Wall thickness t	Weight per foot (Lbs./ft.)	Inside volume (yd. ³ /ft.)	Encasement diameter A
PP12	0.179"	22.60	0.0274	30"
PP12	0.250"	31.37	0.0267	30"
PP14	0.250"	36.71	0.0368	30"
PP14	0.312"	45.61	0.0361	30"



Notes:
The 1/8" x 1/2" min. fill bar may be constructed of 2 bars with a 1/8" max. gap between them.
Pile segments shall be driven to solid contact with splicer before welding.

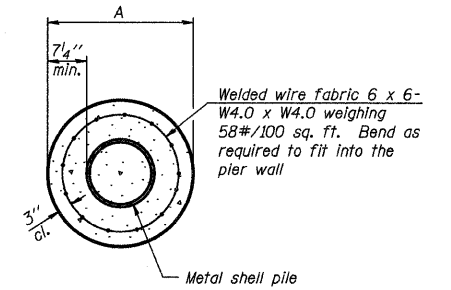
DETAIL A

WELDED COMMERCIAL SPLICE



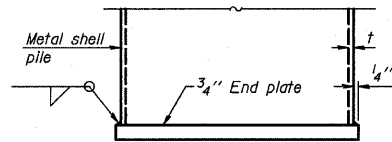
ELEVATION

CONCRETE ENCASEMENT AT PIERS

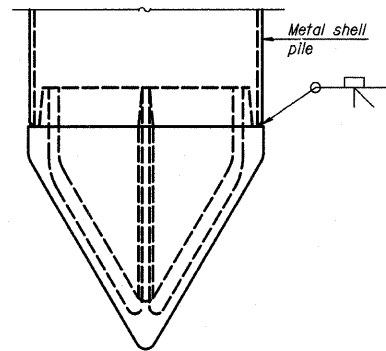


SECTION A-A

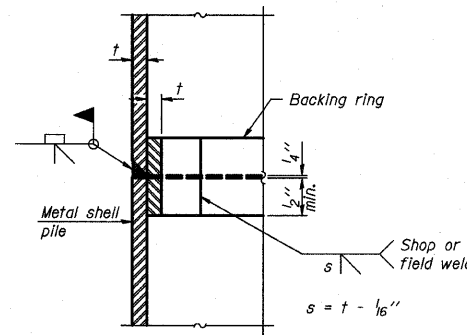
Notes:
See Metal Shell Pile Table for dimension "A".
Forms for encasement may be omitted when soil conditions permit.



END PLATE ATTACHMENT

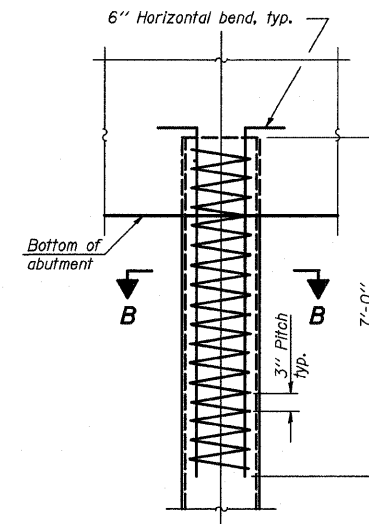


METAL SHELL PILE SHOE ATTACHMENT



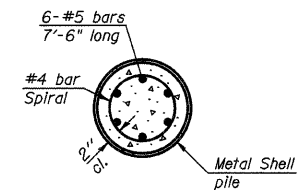
COMPLETE PENETRATION WELD SPLICE

Backing ring made from pile shell. Remove segment to allow reducing circumference and vertically rejoin with partial joint penetration weld.



ELEVATION

METAL SHELL REINFORCEMENT AT ABUTMENTS



SECTION B-B

Note:
The metal shell piles shall be according to ASTM A 252 Grade 3.

METAL SHELL PILE DETAILS

REVISIONS		SECTION 05-04163-00-BR	FRIENDS CREEK ROAD DISTRICT	DRAWN BY DATE
1		MACON	SN 058-3383	R KING 11/07
2				CHECKED BY DATE
3				JMB 11/07
4				BOOK NUMBER
5				314
6				PROJECT No.
7				5129
8				SHEET No.
9				
10				

HOMER L. CHASTAIN & ASSOCIATES, LLP
CONSULTING ENGINEERS
184-001277

DECATUR CHICAGO
(317) 423-8544 (773) 714-0050

ROCKFORD
(815) 489-0050