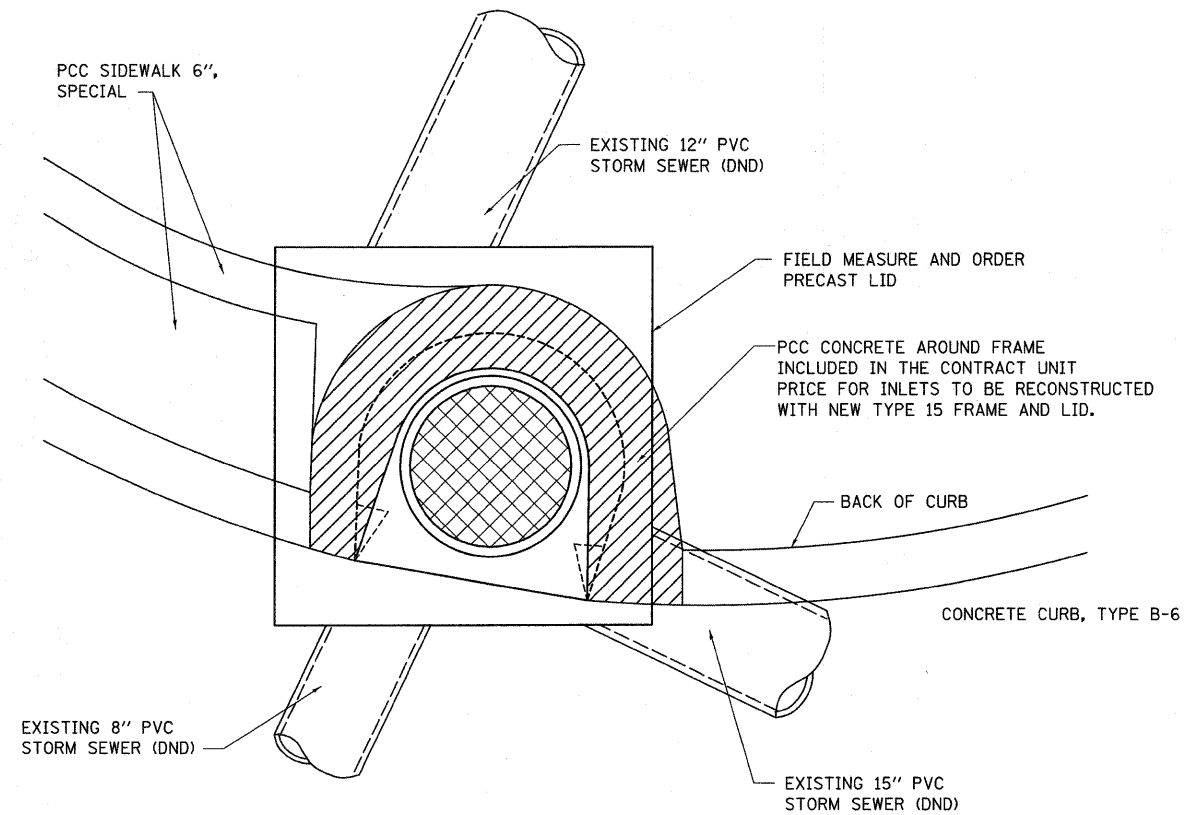


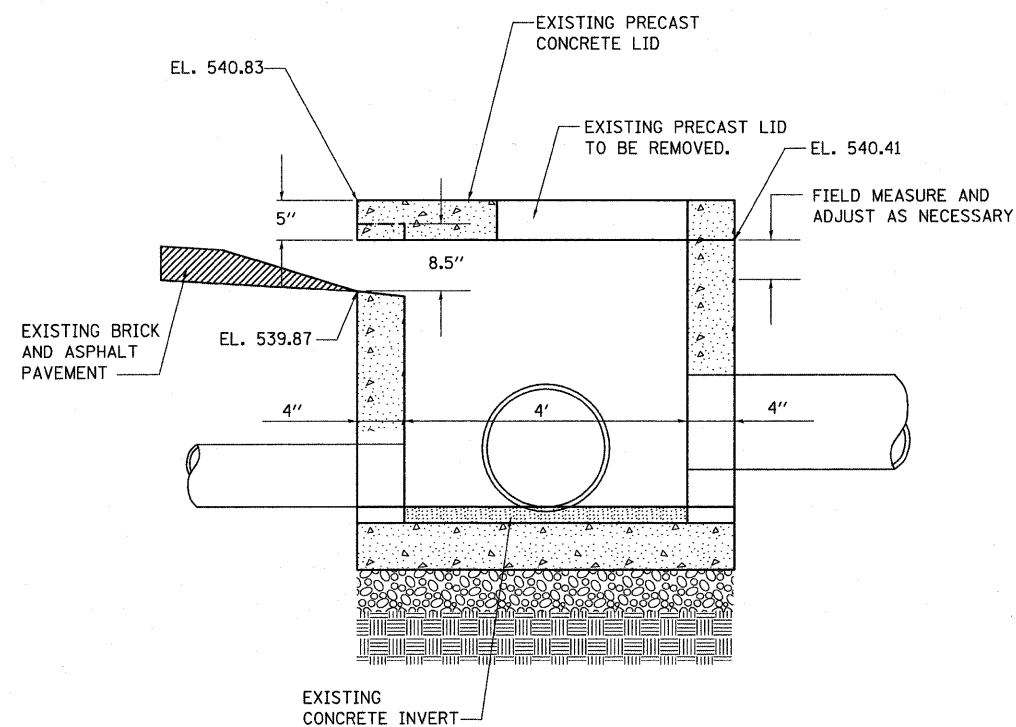
**EXISTING PLAN VIEW**

NOT TO SCALE



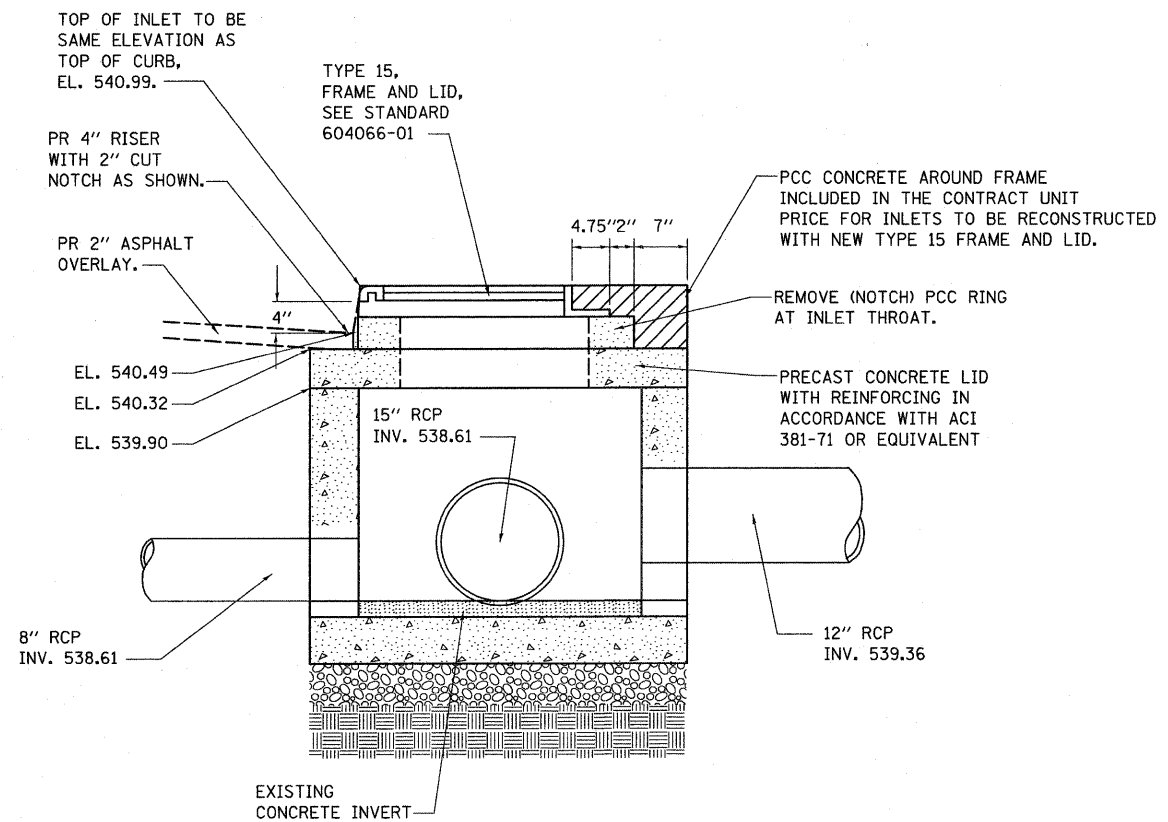
**PROPOSED PLAN VIEW**

NOT TO SCALE



**EXISTING SIDE VIEW**

NOT TO SCALE



**PROPOSED SIDE VIEW**

NOT TO SCALE

FILE NAME =  
H:\P\26050\Microstation V8\650dt02.dgn

USER NAME = #USER#  
PLOT SCALE = 20,000 ' / IN.  
PLOT DATE = 2/25/2008

DESIGNED - TLC  
DRAWN - TGV  
CHECKED - AJG  
DATE - 12/20/07

REVISED - ---  
REVISED - ---  
REVISED - ---  
REVISED - ---

**STATE OF ILLINOIS  
DEPARTMENT OF TRANSPORTATION**

**DETAILS**

SCALE: N.T.S. SHEET NO. 1 OF 1 SHEETS

F.A.U. RTE.	SECTION	COUNTY	TOTAL SHEETS	SHEET NO.
8878	06-0097-00-PV	MADISON	16	14
E. SCHWARZ ST. INT. IMPROVEMENTS			CONTRACT NO. 97333	
CITY OF EDWARDSVILLE ILLINOIS			FED. AID PROJECT CMM-5011 (220)	