

ROUTE	SECTION	COUNTY	TOTAL SHEETS	SHEET NO.
	06-00054-00-SW	FRANKLIN	8	3
WEST FRANKFORT		MAIN STREET		

CONTRACT NO. 99302
PROJECT NO. TE-00D9(93)

BROWN AND ROBERTS, INC.
CONSULTING ENGINEERS & LAND SURVEYORS
1 WEST RIDGE ROAD HARRISBURG, IL 62946 (618) 252-8111

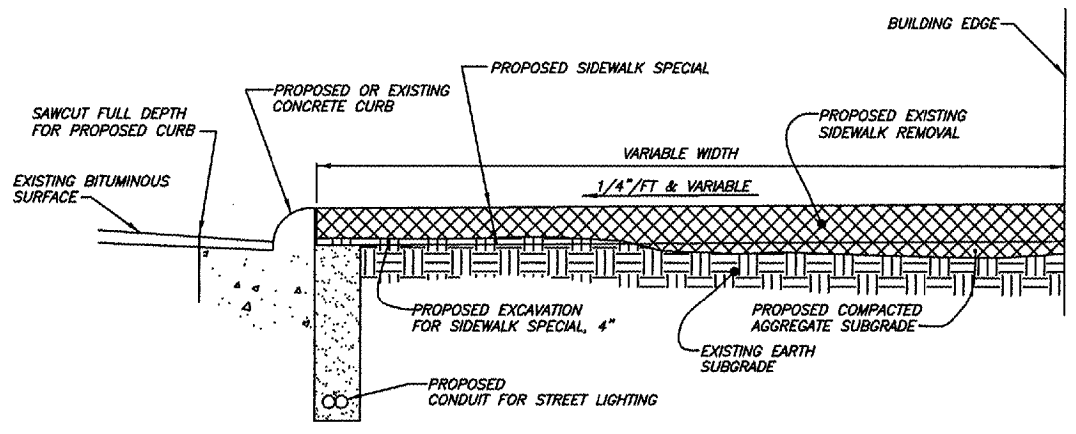


CITY OF WEST FRANKFORT
STREETSCAPE IMPROVEMENTS
TYPICAL DETAILS

Drawn By:	Checked By:
ECB	MWR
Revisions	
Item	Date By

Scale:	Field Bk:
AS SHOWN	
Job Number:	Date:
05-136	03/2007

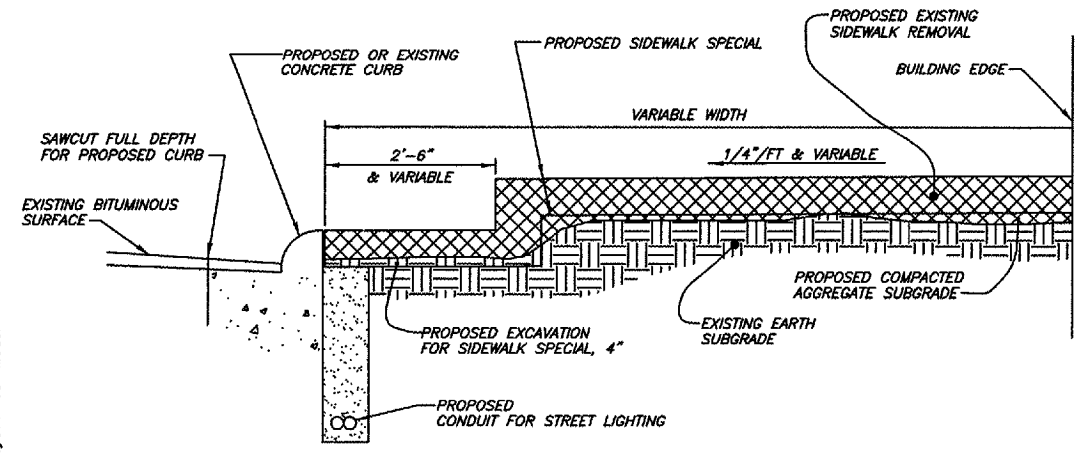
Sheet
3
of 8



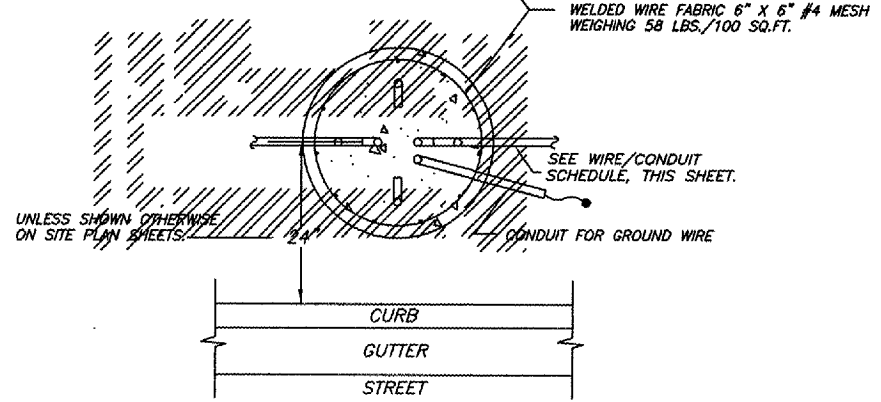
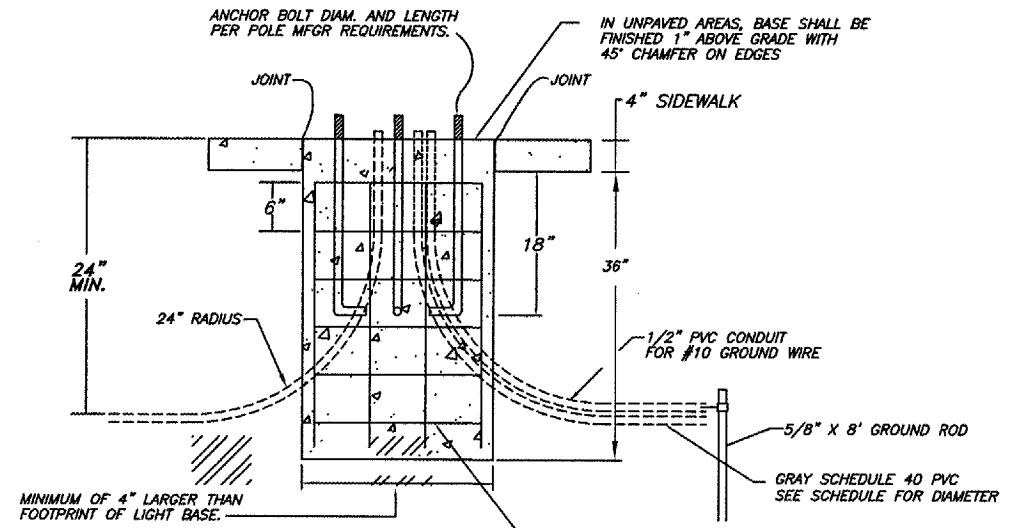
TYPICAL SECTION
NO SCALE



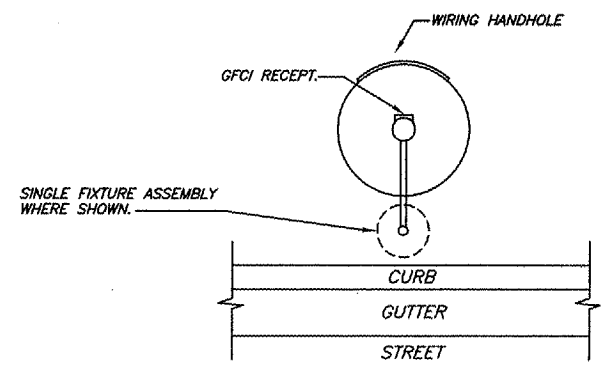
TYPICAL PATTERN
PROPOSED SIDEWALK SPECIAL
NO SCALE



TYPICAL SECTION
STATION 3+78 RT TO 4+27 RT
STATION 4+91 LT TO 7+14 LT
STATION 4+96 RT TO 6+41 LT
STATION 6+71 RT TO 8+32 RT
NO SCALE



LIGHT POLE FOUNDATION
NO SCALE



FIXTURE AND ACCESSORY ORIENTATION
NO SCALE

37 Jan 2008 -- 9:55am \\server6\shared\2005\05136\ec\plans\quantity and detail sheets.dwg: Layout Tab Model