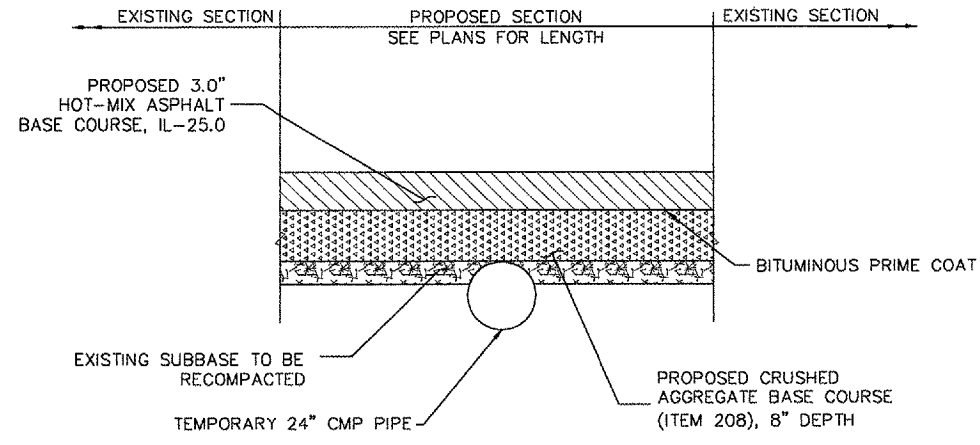


LEGEND

⊗ TREE REMOVAL

NOTES

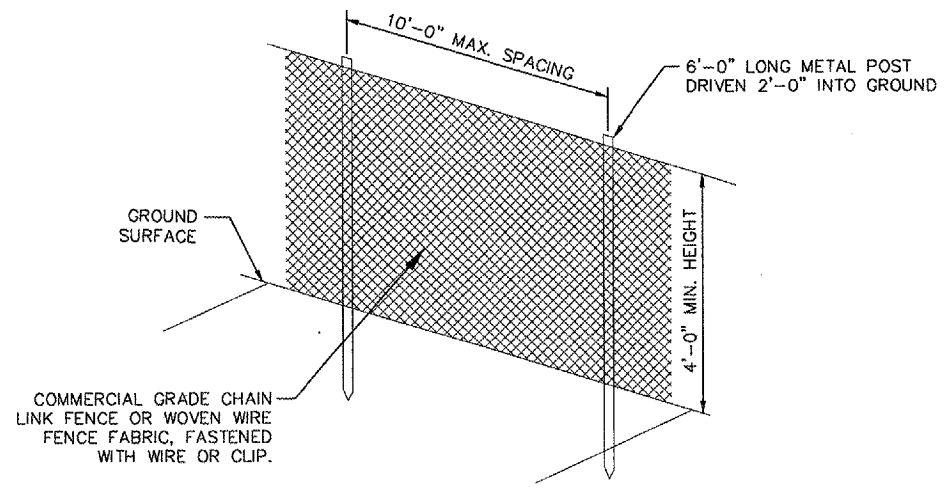
1. SEE GENERAL NOTES FOR BICYCLE PATH CLOSURE INFORMATION.



NOTES

1. PATCH WIDTH TO MATCH EXISTING.
2. ALL WORK PAID UNDER ITEM AR803015.

**TEMPORARY PAVEMENT SECTION
BIKE PATH**



NOTES

1. FENCE SHALL BE MAINTAINED BY CONTRACTOR DURING PROJECT; COST INCIDENTAL TO CONTRACT.
2. TWO 24-FOOT WIDE SWING GATES SHALL BE FURNISHED OF A TYPE ACCEPTABLE TO THE RESIDENT ENGINEER. COST OF GATES SHALL BE INCIDENTAL TO TEMPORARY WORK FENCE.
3. FENCE SHALL BE REMOVED AND DISPOSED OF WHEN DIRECTED BY THE RESIDENT ENGINEER.
4. ALL WORK SHALL BE PAID UNDER ITEM AR163000.

TEMPORARY CONSTRUCTION FENCE

Hanson Professional Services, Inc.
 Suite 200, 815 Commerce Drive
 Oak Brook, Illinois 60523
 © Copyright Hanson Professional Services, Inc. 2008



FILE NAME = I:\05Jobs\00841\0508021\Civil Part A\Sheet\0-REM3.sht	USER NAME = McLeu01059	DESIGNED - CBP	REVISED -	VILLAGE OF LAKE IN THE HILLS, ILLINOIS	REMOVAL AND TEMPORARY WORK PLAN		COUNTY	TOTAL SHEETS	SHEET NO.
PLOT SCALE = 1/8" = 1'-0" / IN.	CHECKED - BLB	DATE - 02/29/08	REVISED -				MCHENRY	120	14
PLOT DATE = 02/28/2008, 09:33 AM	DATE - 02/29/08	REVISED -	REVISED -		FEDERAL AIP NO. 3-17-0112-88 ILLINOIS IDA NO. 3CX-3671				
					SCALE: 1"=50'				