

Hanson Professional Services Inc.
 Suite 200, 815 Commerce Drive
 Oak Brook, Illinois 60523
 © Copyright Hanson Professional Services Inc. 2008

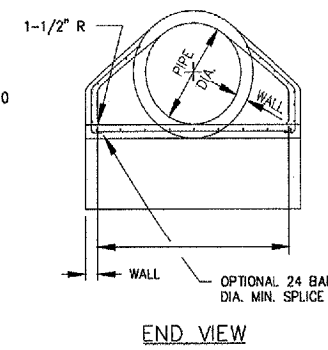


PIPE DIA.	WALL	A	B	C	D	E	R	SLOPE
12"	2"	4"	2'-0"	4'-0 7/8"	6'-0 7/8"	2'-0"	9"	3:1
15"	2 1/4"	6"	2'-3"	3'-10"	6'-1"	2'-6"	11"	3:1
18"	2 1/2"	9"	2'-3"	3'-10"	6'-1"	3'-0"	12"	3:1
21"	2 3/4"	9"	2'-11"	3'-2"	6'-1"	3'-6"	13"	3:1
24"	3"	9 1/2"	3'-7 1/2"	2'-6"	6'-1 1/2"	4'-0"	14"	3:1
27"	3 1/4"	10 1/2"	4'-0"	2'-1 1/2"	6'-1 1/2"	4'-6"	14 1/2"	3:1
30"	3 1/2"	1'-0"	4'-6 1/2"	1'-7 3/4"	6'-1 3/4"	5'-0"	15"	3:1
33"	3 3/4"	1'-1 1/2"	4'-10 1/2"	3'-3 1/4"	6'-1 3/4"	5'-6"	17 1/2"	3:1
36"	4"	1'-3"	5'-3"	2'-10 3/4"	8'-1 3/4"	6'-0"	20"	3:1
42"	4 1/2"	1'-9"	5'-3"	2'-11"	8'-2"	6'-6"	22"	3:1
48"	5"	2'-0"	6'-0"	2'-2"	8'-2"	7'-0"	22"	3:1
54"	5 1/2"	2'-3"	5'-5"	2'-11"	8'-4"	7'-6"	24"	2.4:1

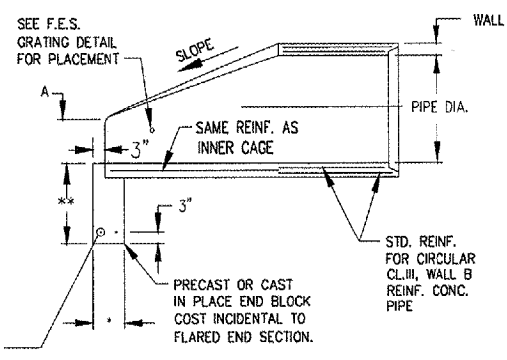
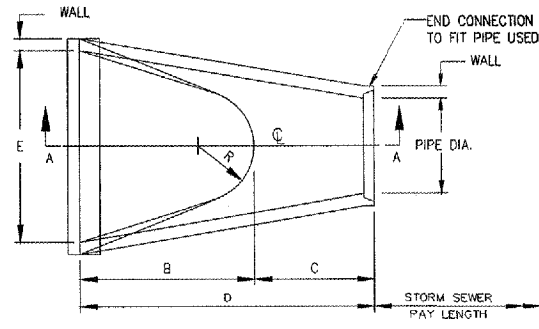
NOTES

- GRATING SHALL BE PAID FOR UNDER ITEM AR752518.
- THE END BLOCK SHALL BE PLACED PRIOR TO THE INSTALLATION OF THE FLARED END SECTION. THE END BLOCK SHALL BE BACKFILLED IN ACCORDANCE WITH ARTICLE 502.10 OF IDOT SPECIFICATIONS, WITH COST INCIDENTAL TO FLARED END SECTION.
- PRECAST CONCRETE FLARED END SECTIONS SHALL CONFORM TO THE APPLICABLE REQUIREMENTS OF AASHTO M-170 CLASS III, WALL B REINFORCED CONCRETE PIPE.

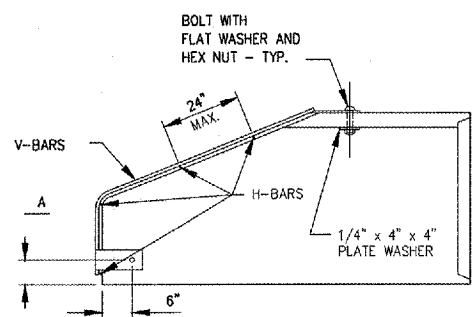
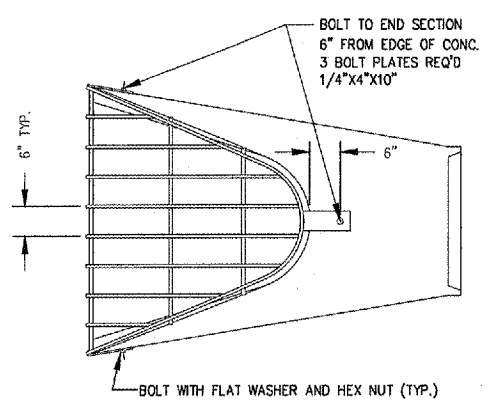
- * 8" - 36" DIA. PIPE OR LESS
- 10" - GREATER THAN 36" DIA. PIPE
- ** 18" - 36" DIA. PIPE OR LESS
- 24" - GREATER THAN 36" DIA. PIPE



PRECAST CONCRETE FLARED END SECTION
 (IDOT STANDARD 542301)



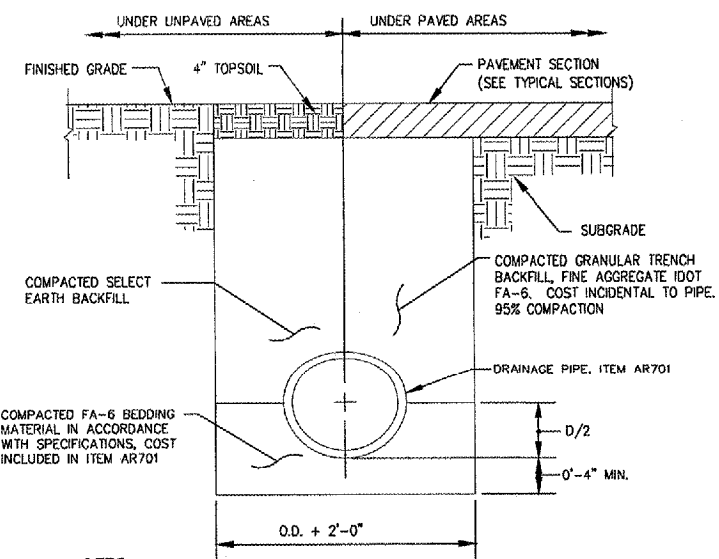
SECTION A-A



GRATING FOR FLARED END SECTION

DIA. INCHES	V-BAR SIZE	H-BAR SIZE	No. OF H-BARS REQ'D.	BOLT DIA.	"A" DIM.
					INCHES
12	1/2@	5/8@	3	1/2	4
15	1/2@	5/8@	3	1/2	4 1/2
18	1/2@	5/8@	4	1/2	4 1/2
21	1/2@	5/8@	4	1/2	5
24	5/8@	3/4@	4	1/2	5
27	5/8@	3/4@	4	1/2	5 1/2
30	5/8@	3/4@	4	1/2	5 1/2
36	3/4@	1@	4	3/4	8
42	3/4@	1@	4	3/4	8
48	3/4@	1@	5	3/4	8
54	3/4@	1-1/2 PIPE	5	3/4	8
24 X 38 ELLIPTICAL	3/4@	1@	5	3/4	8

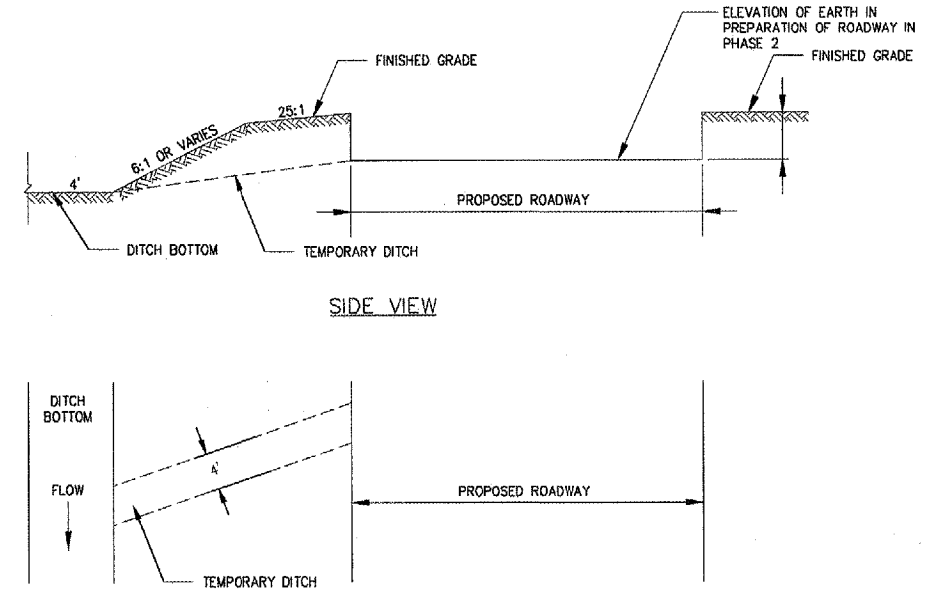
- NOTES**
- BARS AND PLATES ARE HOT ROLLED STEEL.
 - BARS, PLATES, PIPE AND BOLTS ARE GALVANIZED.



NOTES

- UNSUITABLE MATERIAL ENCOUNTERED DURING PLACEMENT OF BEDDING SHALL BE REMOVED AND REPLACED.
- WITHIN 3 FEET OF FUTURE PAVED AREA OR GRAVEL SHOULDERS, GRANULAR BACKFILL IS TO BE USED INSTEAD OF EARTH BACKFILL.

PIPE TRENCH



NOTES

- DITCHES ARE 4' WIDE.
- FOR SPECIFIC LOCATION OF TEMPORARY DITCHES SEE PLAN SHEET. CALLOUTS ARE TO THE CENTERLINE OF TEMPORARY DITCH.
- NO SEPARATE PAYMENT WILL BE MADE FOR TEMPORARY DITCH.

TEMPORARY DITCH

FILE NAME = I:\093\Jobs\00841\058802\Civil Part A\Sheet\C-DRNS-1 Details.sht	USER NAME = McLou01058	DESIGNED - SJM	REVISED -	<p align="center">VILLAGE OF LAKE IN THE HILLS, ILLINOIS</p> <p align="center">PYOTT ROAD DRAINAGE DETAILS</p>	COUNTY	TOTAL SHEETS	SHEET NO.
PLOT SCALE = 2.0200' / IN.	CHECKED - BLB	DATE - 02/29/08	REVISED -		MCHENRY	120	30
PLOT DATE = 02/27/2008, 09:41 AM	DATE - 02/29/08	REVISED -	REVISED -		FEDERAL AIP NO. 3-17-0112-88	ILLINOIS	IDA NO. 3CK-3671