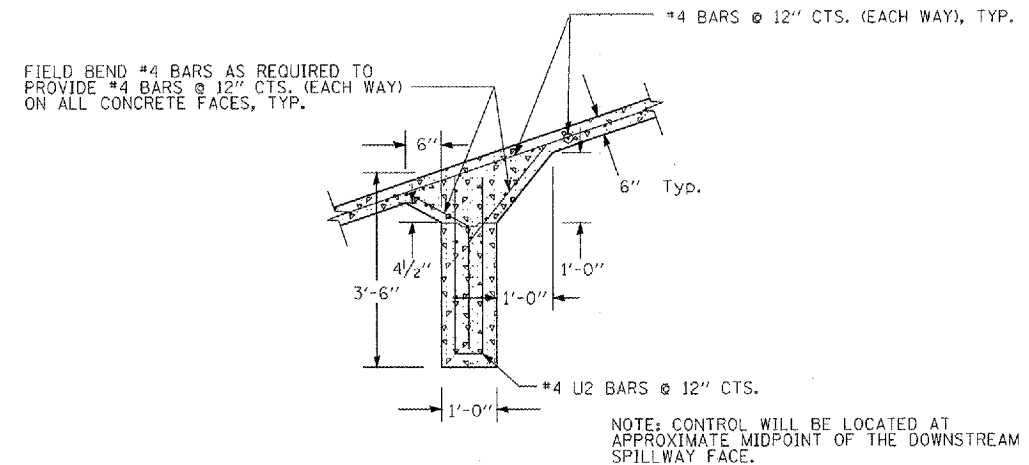
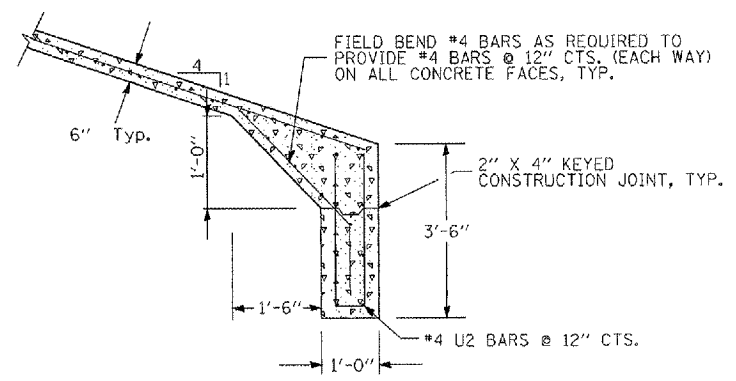


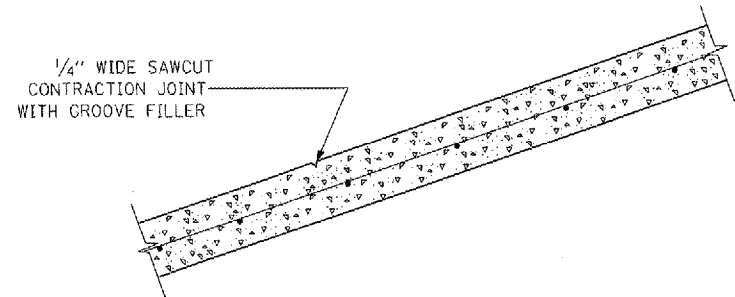
Hanson Professional Services Inc.  
 Suite 200, 815 Commerce Drive  
 Oak Brook, Illinois 60523  
 © Copyright Hanson Professional Services Inc. 2008



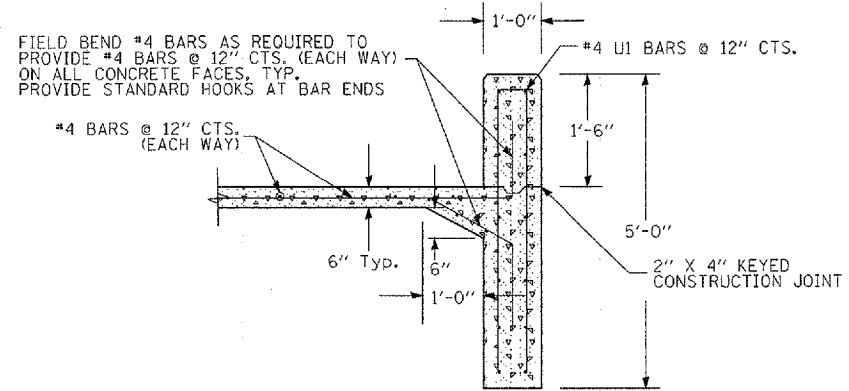
**CONTROL WALL FOR DOWNSTREAM SPILLWAY FACE**



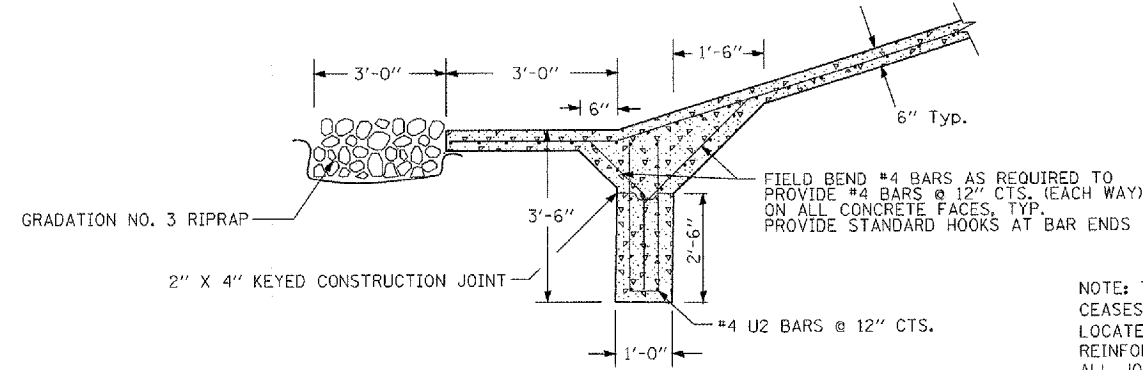
**TOE WALL FOR POND SIDE OF SPILLWAY**



**SAWED CONTRACTION JOINT**



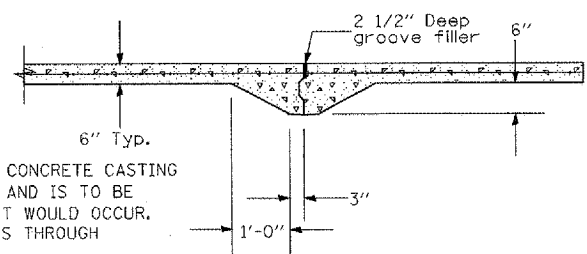
**SPILLWAY SIDE WALL**



**TOE WALL FOR DOWNSTREAM SPILLWAY FACE**

NOTE: PROVIDE #4 BARS @ 12" CTS. (EACH WAY) ON ALL CONCRETE FACES, TYP.

NOTE: THIS JOINT TO BE USED WHEN CONCRETE CASTING CEASES FOR MORE THAN 30 MINUTES AND IS TO BE LOCATED WHERE A CONTRACTION JOINT WOULD OCCUR. REINFORCEMENT SHALL BE CONTINUOUS THROUGH ALL JOINTS.



**KEYED CONSTRUCTION JOINT**

REINFORCING BENDING DETAILS					
MARK	SIZE	TYPE	A	B	LENGTH
4U1	4	U	8"	4'-8"	6'-0"
4U2	4	U	8"	3'-2"	4'-6"

BAR U

ALL DIMENSIONS ARE OUT-TO-OUT OF BARS

NOTE: ADDITIONAL REINFORCEMENT BARS ARE REQUIRED IN ADDITION TO THOSE DETAILED IN THE ADJACENT TABLE. FIELD TRIM 4U1 AND 4U2 BARS AS REQUIRED.