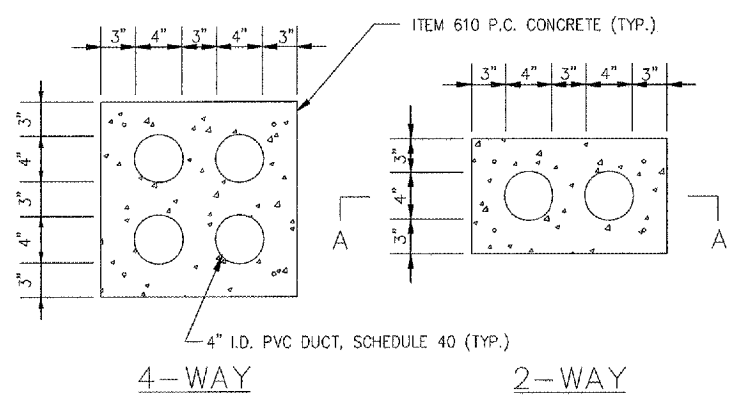
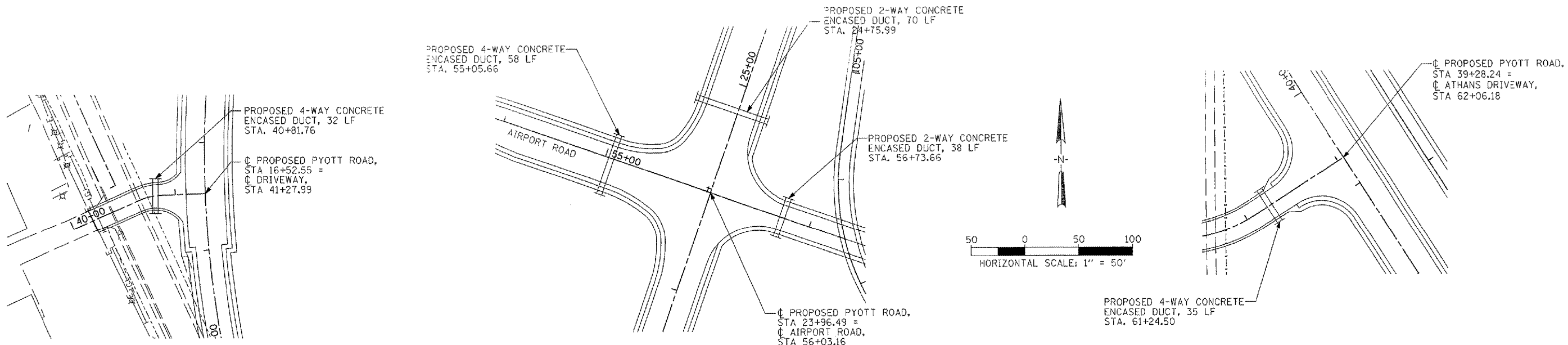
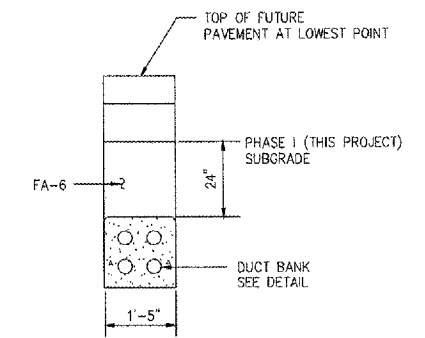
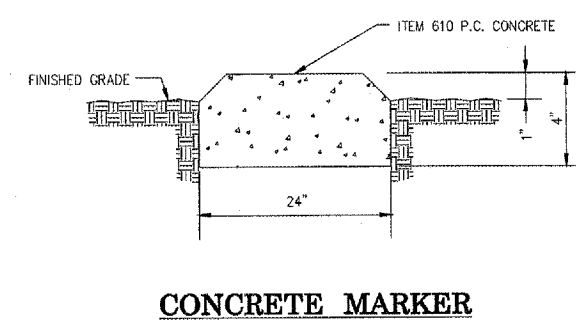
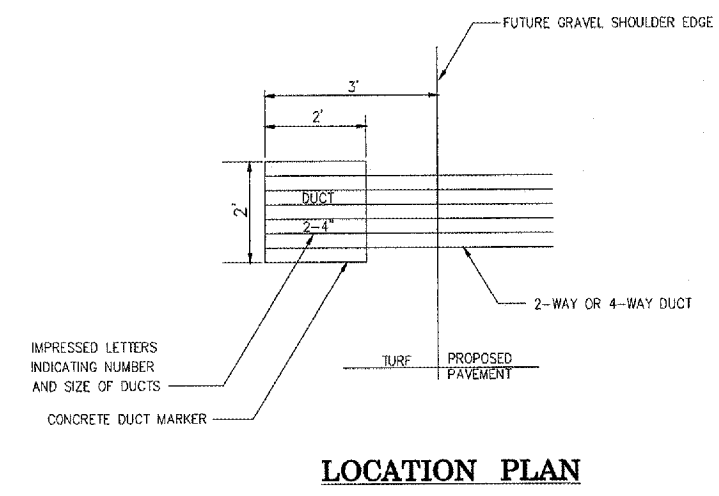
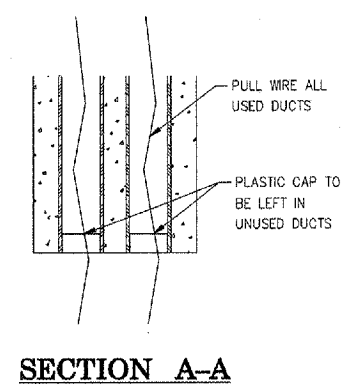


Hanson Professional Services Inc.  
 Suite 200, 815 Commerce Drive  
 Oak Brook, Illinois 60521  
 © Copyright Hanson Professional Services Inc. 2008



**CONCRETE ENCASED DUCTS**

NOTE:  
 TOP OF CONCRETE FOR DUCT SHALL BE 24"  
 BELOW THE LOWEST POINT OF THE SUBGRADE



**ENCASED DUCT CROSSING UNDER FUTURE PAVEMENT OR GRAVEL SHOULDER**

FILE NAME =	USER NAME = MoLeu01058	DESIGNED - BLB	REVISED -	<b>VILLAGE OF LAKE IN THE HILLS, ILLINOIS</b>	<b>ELECTRICAL DUCT PLAN</b>		COUNTY	TOTAL SHEETS	SHEET NO.
I:\05Jobs\08941\0589021\Civil Part A\Sheet\NC-ELEC-DUCT.shx		DRAWN - CBP	REVISED -				MCHENRY	120	107
PLOT SCALE = 100.0000' / IN.		CHECKED - BLB	REVISED -						
PLOT DATE = 02/27/2008, 09:01 AM		DATE - 02/29/08	REVISED -				FEDERAL AIP NO. 3-17-0112-88	ILLINOIS	IDA NO. 30K-3671