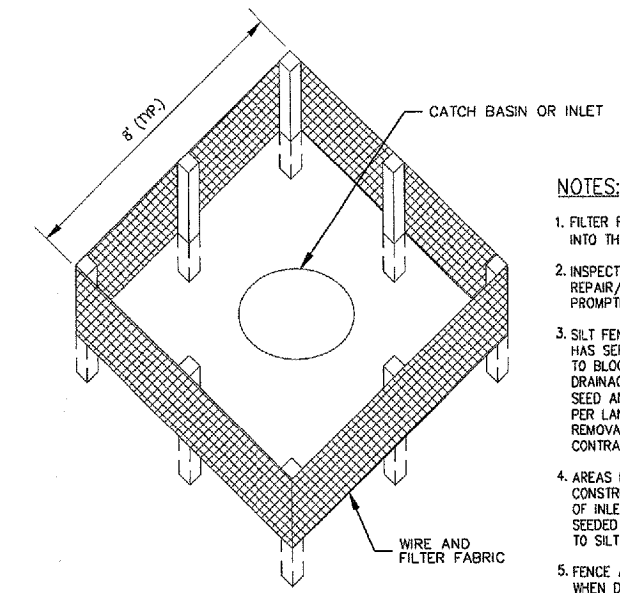
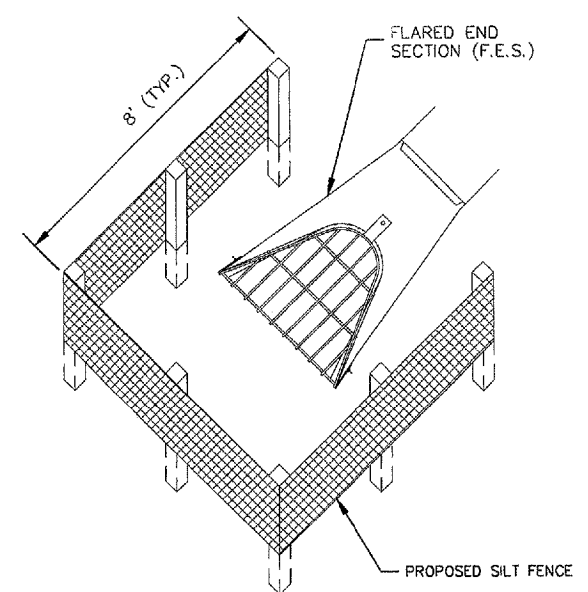
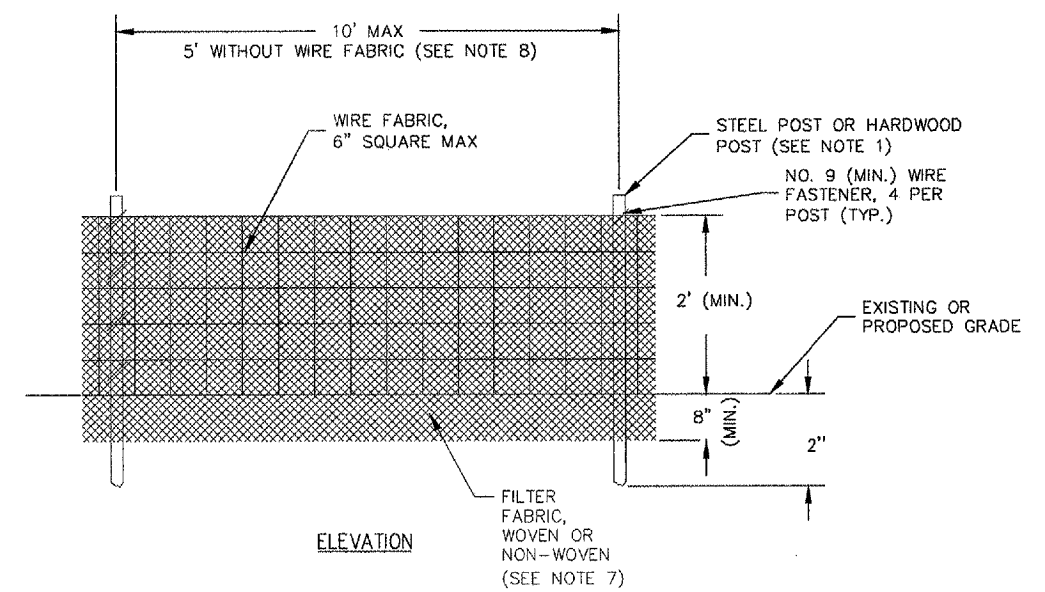


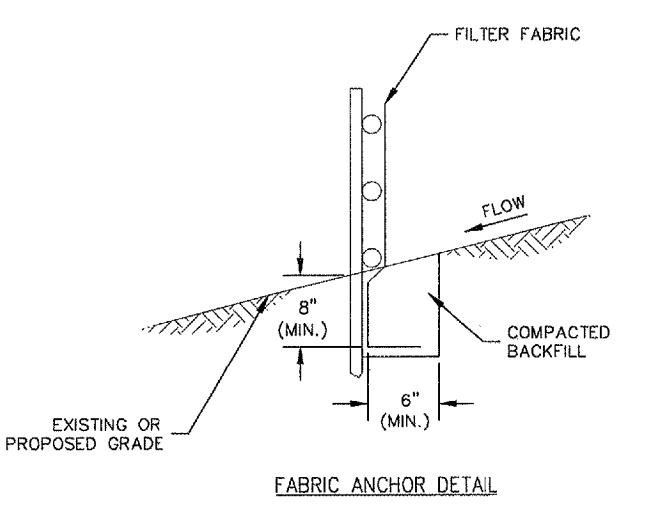
Hanson Professional Services Inc.  
 Suite 200, 815 Commerce Drive  
 Oak Brook, Illinois 60120  
 © Copyright Hanson Professional Services Inc. 2008



- NOTES:**
1. FILTER FABRIC SHALL BE EMBEDDED 8" INTO THE SOIL.
  2. INSPECTION SHALL BE FREQUENT AND REPAIR/REPLACEMENT SHALL BE MADE PROMPTLY AS NEEDED.
  3. SILT FENCE SHALL BE REMOVED WHEN IT HAS SERVED ITS USEFULNESS SO AS NOT TO BLOCK OR IMPEDE STORM FLOW OR DRAINAGE. CONTRACTOR SHALL PLACE SEED AND MULCH AROUND STRUCTURES PER LANDSCAPING PLAN. COST OF REMOVAL SHALL BE INCLUDED IN THE CONTRACT UNIT PRICE FOR SILT FENCE.
  4. AREAS DISTURBED OUTSIDE OF CONSTRUCTION LIMITS DURING PLACEMENT OF INLET PROTECTION TO BE REGRADED, SEEDED AND MULCHED, COST INCIDENTAL TO SILT FENCE.
  5. FENCE AND POSTS SHALL BE REMOVED WHEN DIRECTED AT PROJECT END.

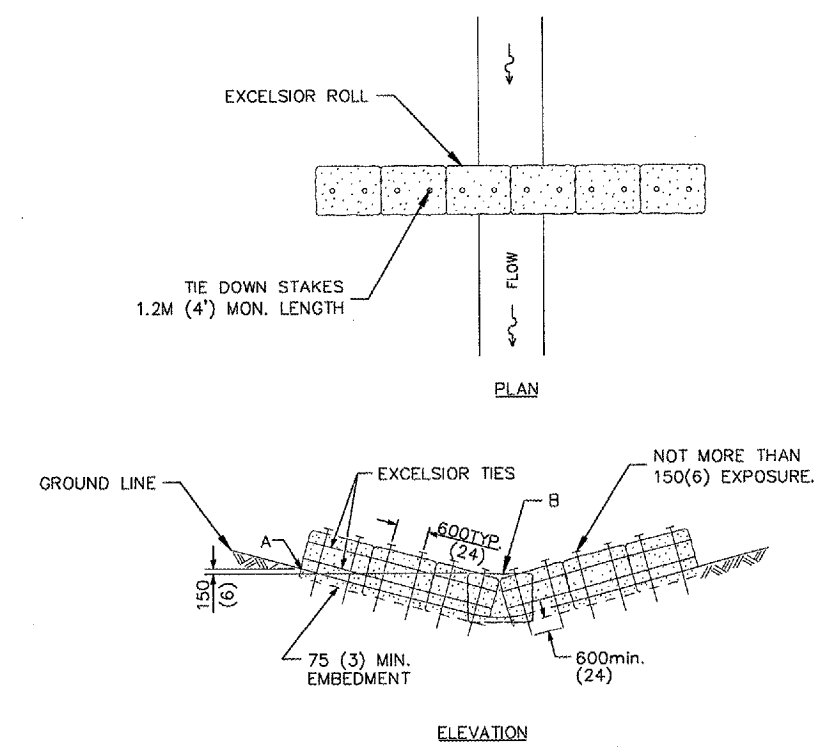
**SILT FENCE PLACEMENT AT FLARED END SECTIONS (F.E.S.)**

**SILT FENCE PLACEMENT AT MANHOLES & INLETS**



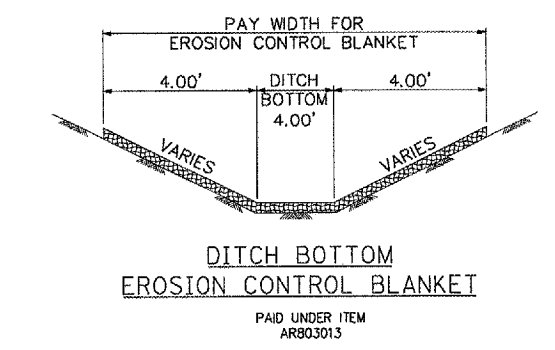
**SILT FENCE PLAN**

- NOTES:**
1. FENCE POST SHALL BE EITHER STEEL "T" LINE POST OR HARDWOOD POST WITH A MINIMUM SECTIONAL AREA OF 3.0 SQUARE INCHES.
  2. TOP AND BOTTOM WIRE OF WIRE FABRIC SHALL BE MINIMUM GAGE NO. 9. INTERMEDIATE WIRES OF THE WIRE FABRIC SHALL BE MINIMUM GAGE NO. 11.
  3. WIRE FABRIC SHALL BE SECURELY FASTENED TO FENCE POSTS WITH NO. 9 GAGE WIRE MINIMUM. FOUR (4) FASTENERS PER POST REQUIRED.
  4. FILTER FABRIC SHALL BE SECURELY FASTENED TO WIRE FABRIC AND POSTS WITH TIES OR STAPLES SPACED AT 12" APART AT THE TOP, MIDDLE AND BOTTOM.
  5. WHEN TWO SECTIONS OF FILTER FABRIC MEET, THEY SHALL BE OVERLAPPED BY 6" AND FOLDED AND ATTACHED TO THE WIRE FABRIC AT A POST.
  6. MAINTENANCE SHALL BE PERFORMED AS NEEDED AND MATERIAL REMOVED AND REPLACED WHEN BULGES DEVELOP IN THE SILT FENCE.
  7. FILTER FABRIC SHALL BE IN ACCORDANCE WITH SPECIAL PROVISIONS WITH EQUIVALENT OPENING SIZE OF AT LEAST 30 FOR NONWOVEN AND 50 FOR WOVEN.
  8. WIRE FABRIC MAY BE OMITTED IF A MAXIMUM OF 5 FEET IS USED FOR POST-TO-POST SPACING.
  9. SILT FENCE SHALL BE INSTALLED PRIOR TO ANY GRADING WORK IN THE AREA TO BE PROTECTED. PERIODIC INSPECTION SHALL BE PROVIDED AND REQUIRED MAINTENANCE SHALL BE PROVIDED AFTER EACH RAIN EVENT.
  10. FENCE POSTS SHALL BE REMOVED WHEN DIRECTED AT PROJECT END.



- NOTE:**
1. PT. A HIGHER THAN PT. B
  2. MINIMUM DIAMTER OF EXCELSIOR ROLL IS 24".

**ROLLED EXCELSIOR FOR DITCH CHECK**



**DITCH BOTTOM EROSION CONTROL BLANKET**

FILE NAME = I:\05Jobs\08941\0508021\Civil Part A\Sheet\CD-ERCS Details.sht	USER NAME = MoLeu01058	DESIGNED - SJM	REVISED -	<b>VILLAGE OF LAKE IN THE HILLS, ILLINOIS</b>	<b>PYOTT ROAD EROSION CONTROL DETAILS</b>	COUNTY	TOTAL SHEETS	SHEET NO.
PLOT SCALE = 2.0000 "/> <td>CHECKED - BLB</td> <td>REVISED -</td> <td>MCHENRY</td> <td>120</td> <td>112</td>	CHECKED - BLB	REVISED -	MCHENRY			120	112	
PLOT DATE = 02/27/2008, 09:18 AM	DATE - 02/29/08	REVISED -	FEDERAL AIP NO. 3-17-0112-88			ILLINOIS	IDA NO. 3CK-3671	