

DESIGN CRITERIA

L.L. = AASHTO HS 20-44
 NET ALLOWABLE SOIL BEARING PRESSURE = 3000 PSF

STRUCTURE B3

GENERAL NOTES

- ALL REINFORCEMENT BARS SHALL CONFORM TO ASTM A615 GRADE 60 AND SHALL BE CLEAN AND FREE OF GREASE, SCALING RUST AND OTHER FOREIGN MATERIALS.
- INLET MAY BE CONSTRUCTED BY CAST-IN-PLACE CONCRETE OR PRECAST CONCRETE. PRECAST CONCRETE INLETS SHALL BE CONSTRUCTED TO THE LINES, DIMENSIONS AND DETAILS SHOWN ON THIS SHEET.
- CAST-IN-PLACE CONCRETE AND PRECAST CONCRETE FOR THE INLETS SHALL HAVE A MINIMUM 28 DAYS COMPRESSIVE STRENGTH OF 4000 PSF.
- THE CONTRACTOR SHALL VERIFY THE LOCATION AND SIZE OF PIPE OPENINGS AS SHOWN ON THIS SHEET.
- ALL FOOTING EXCAVATIONS SHALL BE CLEAN FREE OF DEBRIS, STANDING WATER AND LOOSE SOIL AND SHALL BE INSPECTED BY THE ENGINEER PRIOR TO THE PLACEMENT OF CONCRETE OR SUBBASE.
- CONCRETE SHALL NOT BE PLACED OVER FROZEN OR MUDDY SOIL.
- ADDITIONAL REINFORCEMENT FOR PIPE PENETRATIONS NOT REQUIRED FOR 6" DIA. PIPES OR LESS.

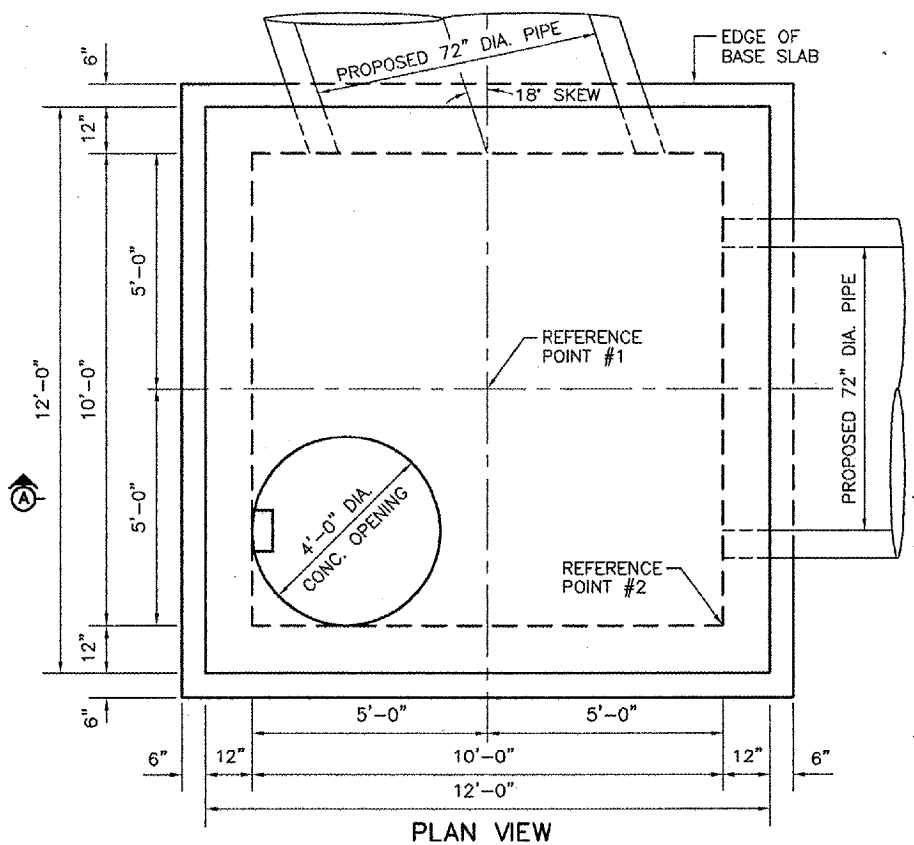
REFERENCE POINT TABLE

REFERENCE POINT	STATION	OFFSET
REFERENCE POINT #1	12+25.00	636.67' LT.
REFERENCE POINT #2	12+20.00	631.67' LT.

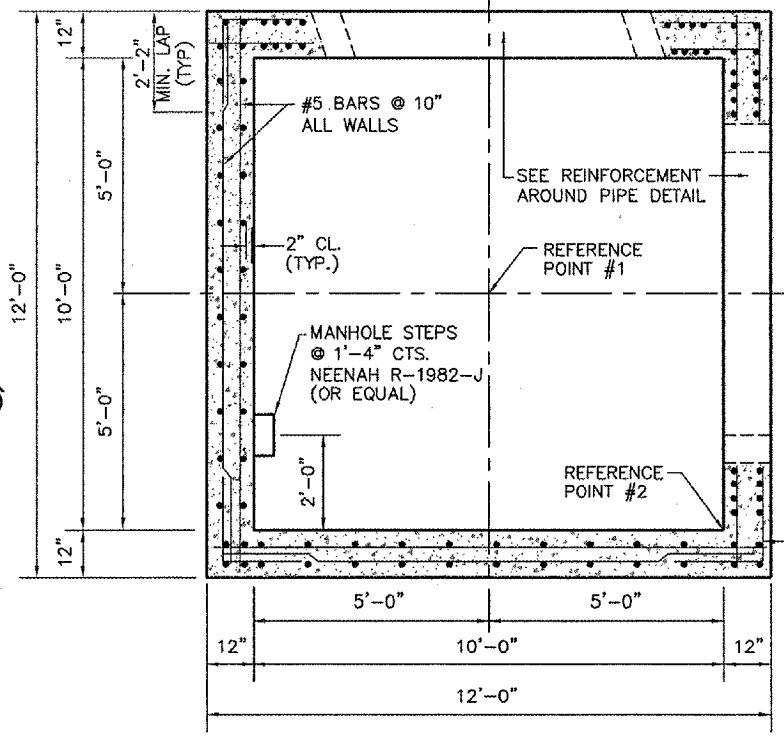
REVISIONS

NUMBER	BY	DATE

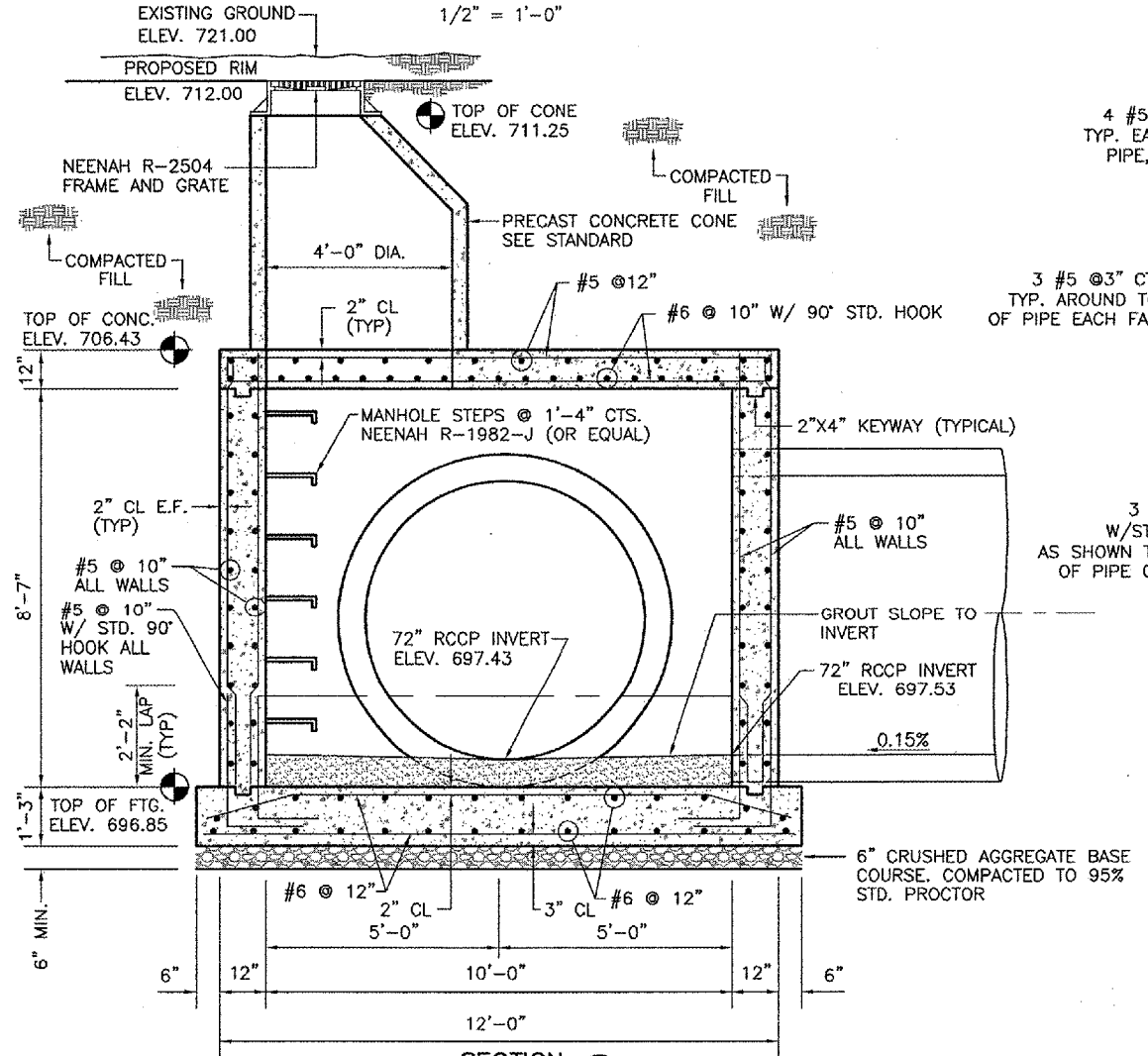
0 1 2
 THIS BAR IS EQUAL TO 2" AT FULL SCALE (34X22).



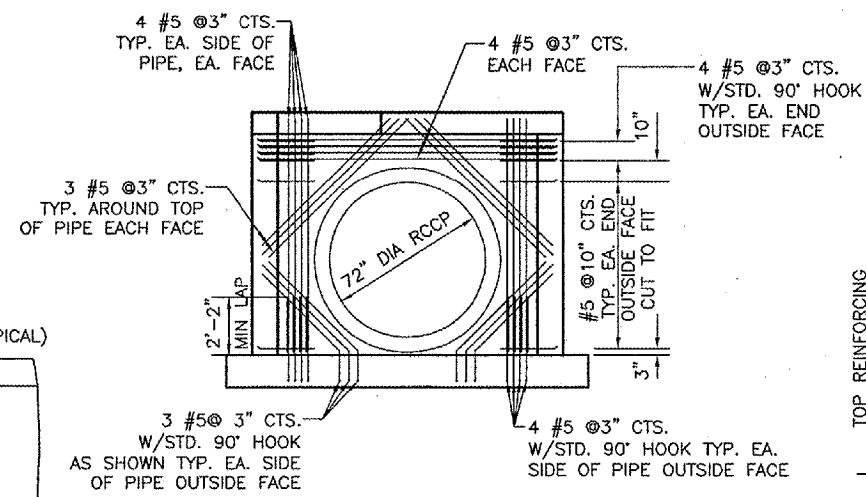
PLAN VIEW
 1/2" = 1'-0"



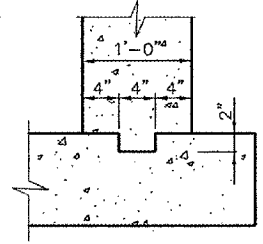
WALL REINFORCEMENT PLAN
 1/2" = 1'-0"



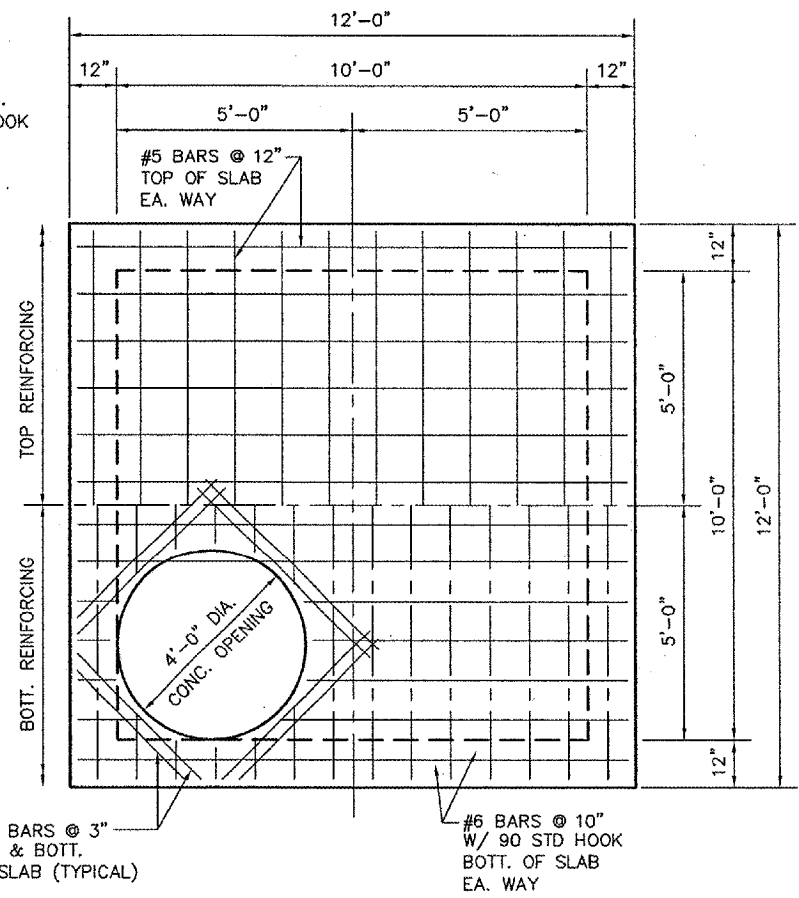
SECTION A
 1/2" = 1'-0"



REINFORCEMENT AROUND PIPE PENETRATIONS
 N.T.S.



KEYWAY DETAILS
 N.T.S.



TOP SLAB REINFORCEMENT PLAN
 1/2" = 1'-0"

**CHICAGO ROCKFORD INTERNATIONAL AIRPORT
 ROCKFORD, ILLINOIS**
MANHOLE DETAILS - SHEET 2

© Copyright CMT, Inc.

CMT
 CRAWFORD, MURPHY & TILLY, INC.
 CONSULTING ENGINEERS
 License No. 184-000619

Chicago Rockford International Airport

DESIGN BY:	ATI
DRAWN BY:	JRO
CHECKED BY:	ATI
APPROVED BY:	
DATE:	02/29/08
JOB No:	07258-06
ILLINOIS PROJECT:	RFD-3787
A.I.P. PROJECT:	3-17-0088-XX
FINAL SUBMITTAL	
SHEET 29 OF 83 SHEETS	