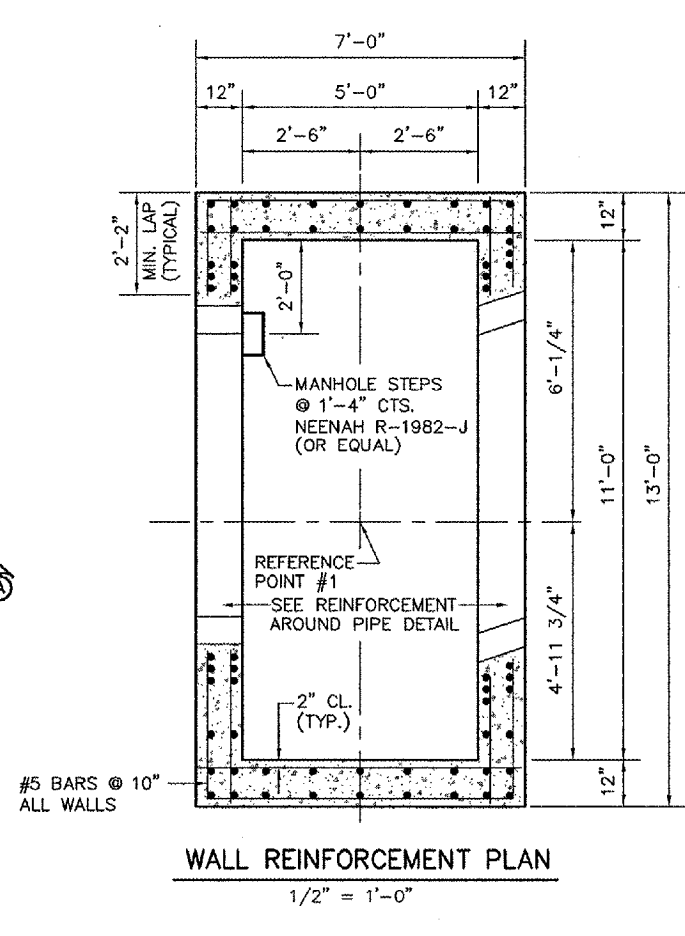
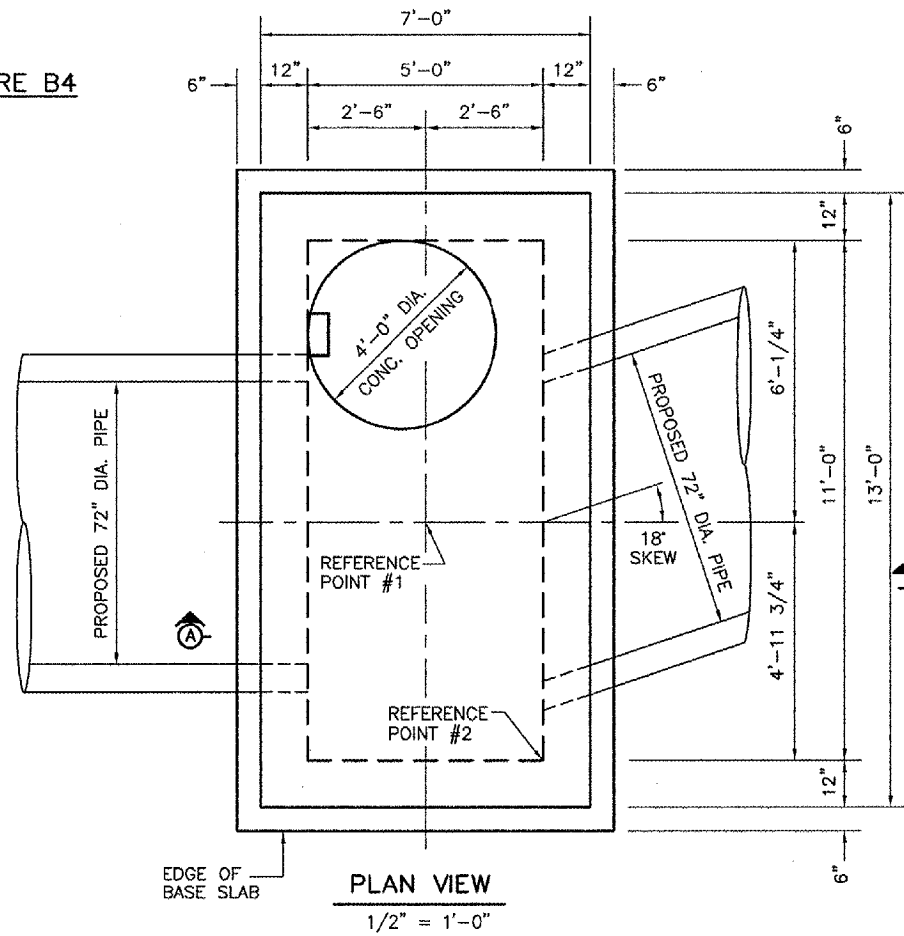


**STRUCTURE B4**



**DESIGN CRITERIA**

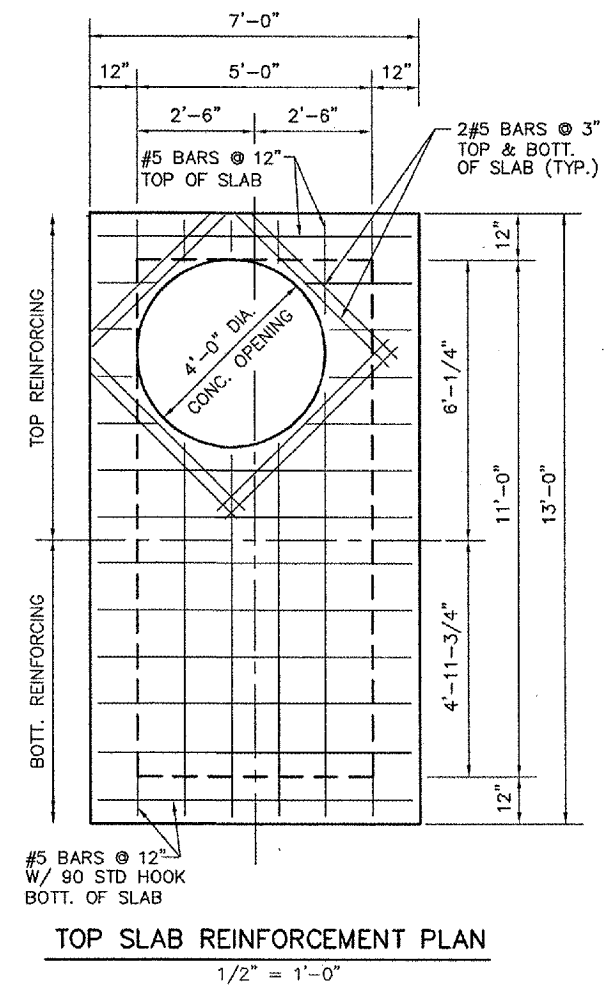
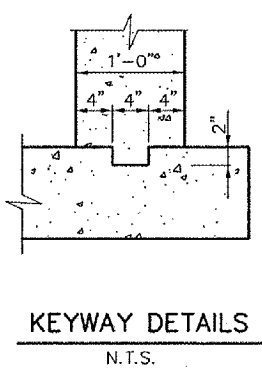
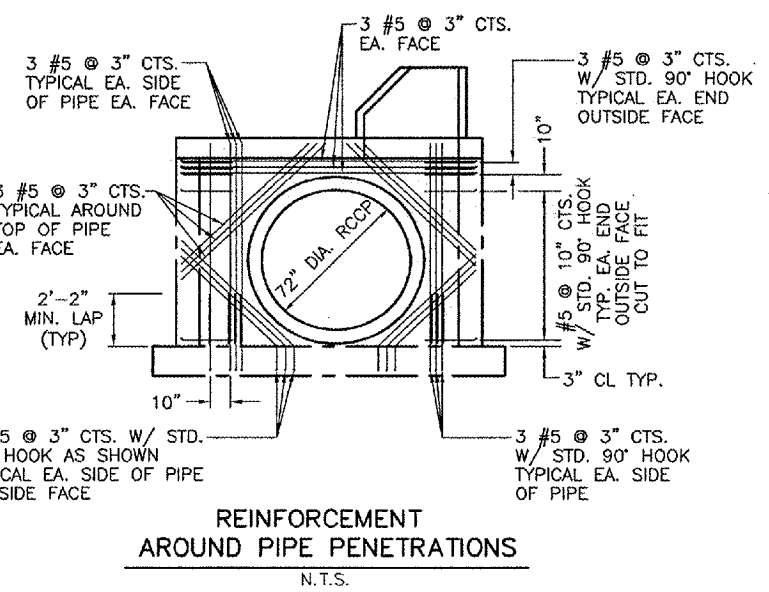
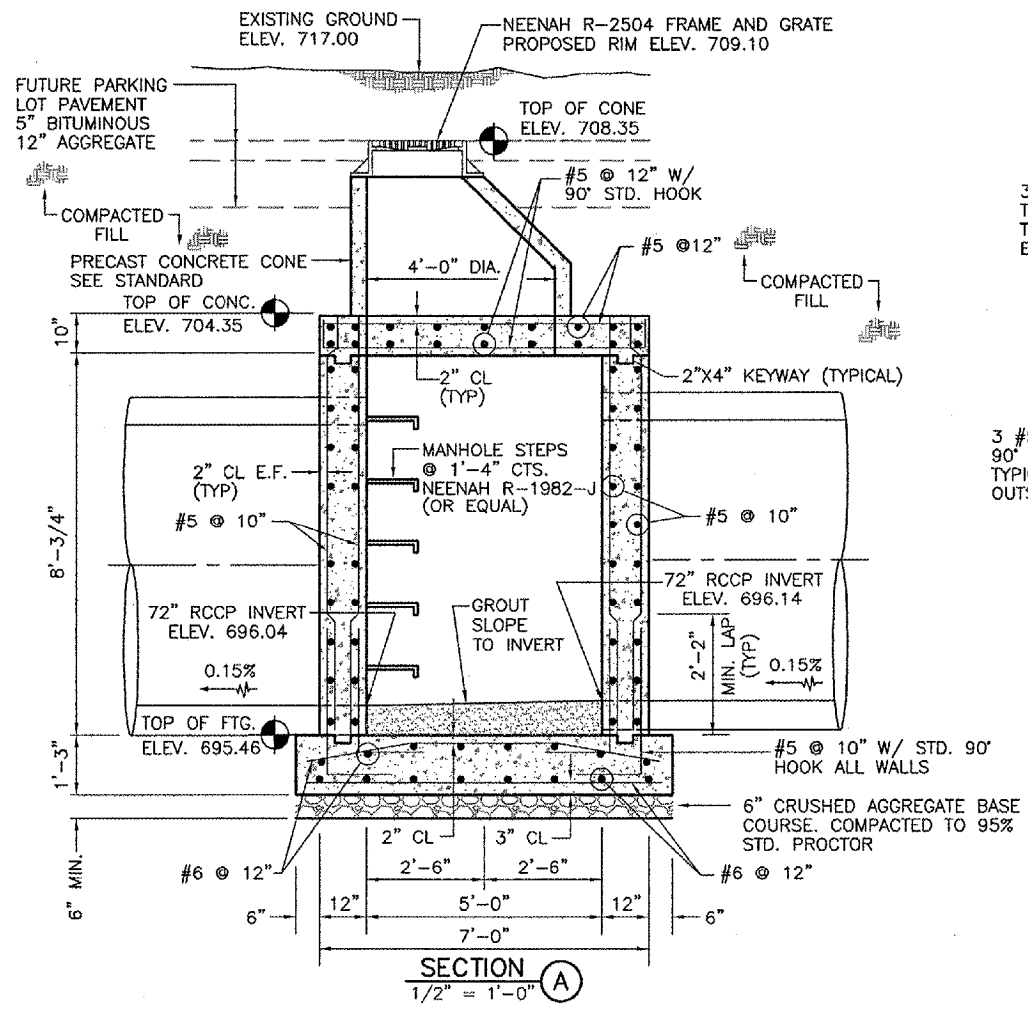
L.L. = AASHTO HS 20-44  
 NET ALLOWABLE SOIL BEARING PRESSURE = 3000 PSF

**GENERAL NOTES**

- ALL REINFORCEMENT BARS SHALL CONFORM TO ASTM A615 GRADE 60 AND SHALL BE CLEAN AND FREE OF GREASE, SCALING RUST AND OTHER FOREIGN MATERIALS.
- INLET MAY BE CONSTRUCTED BY CAST-IN-PLACE CONCRETE OR PRECAST CONCRETE. PRECAST CONCRETE INLETS SHALL BE CONSTRUCTED TO THE LINES, DIMENSIONS AND DETAILS SHOWN ON THIS SHEET.
- CAST-IN-PLACE CONCRETE AND PRECAST CONCRETE FOR THE INLETS SHALL HAVE A MINIMUM 28 DAYS COMPRESSIVE STRENGTH OF 4000 PSF.
- THE CONTRACTOR SHALL VERIFY THE LOCATION AND SIZE OF PIPE OPENINGS AS SHOWN ON THIS SHEET.
- ALL FOOTING EXCAVATIONS SHALL BE CLEAN FREE OF DEBRIS, STANDING WATER AND LOOSE SOIL AND SHALL BE INSPECTED BY THE ENGINEER PRIOR TO THE PLACEMENT OF CONCRETE OR SUBBASE.
- CONCRETE SHALL NOT BE PLACED OVER FROZEN OR MUDDY SOIL.
- ADDITIONAL REINFORCEMENT FOR PIPE PENETRATIONS NOT REQUIRED FOR 6" DIA. PIPES OR LESS.

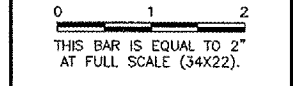
**REFERENCE POINT TABLE**

REFERENCE POINT	STATION	OFFSET
REFERENCE POINT #1	14+20.00	700.00' LT.
REFERENCE POINT #2	14+17.50	704.97' LT.



**REVISIONS**

NUMBER	BY	DATE



**CHICAGO ROCKFORD INTERNATIONAL AIRPORT  
 ROCKFORD, ILLINOIS**  
**MANHOLE DETAILS - SHEET 3**

© Copyright CMT, Inc.

**CMT**  
 CRAWFORD, MURPHY & TULLY, INC.  
 CONSULTING ENGINEERS  
 License No. 84-00613

**Chicago Rockford International Airport**

DESIGN BY:	ATI
DRAWN BY:	JRO
CHECKED BY:	ATI
APPROVED BY:	
DATE:	02/29/08
JOB No:	07258-06
ILLINOIS PROJECT:	RFD-3787
A.I.P. PROJECT:	3-17-0088-XX
<b>FINAL SUBMITTAL</b>	
SHEET 30 OF 83 SHEETS	