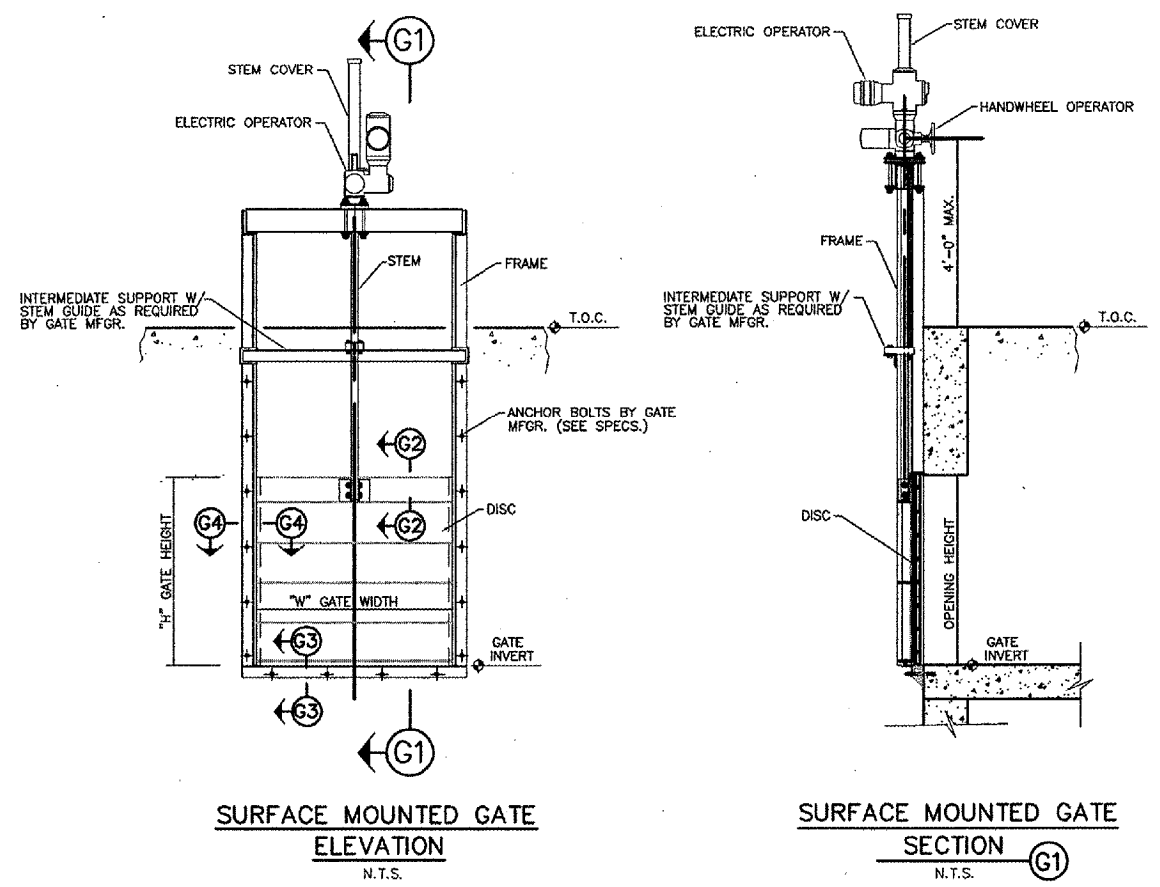


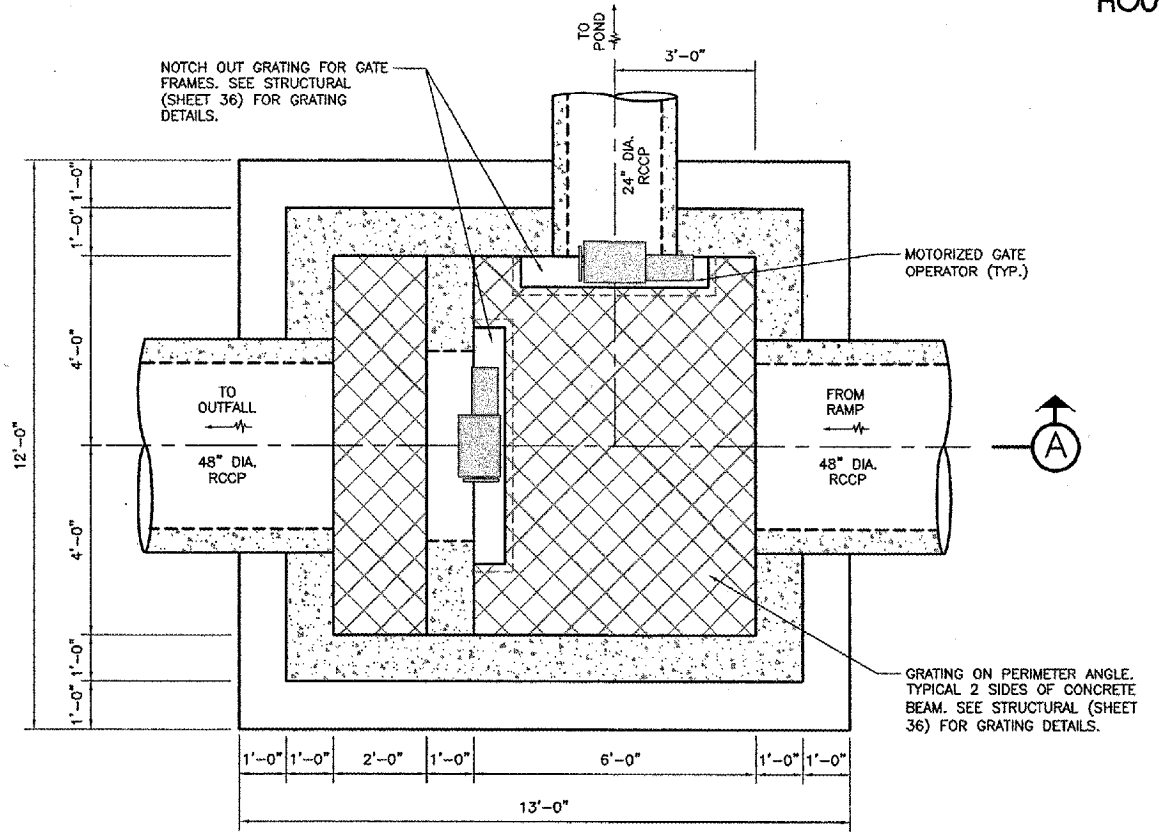
REVISIONS		
NUMBER	BY	DATE

0 1 2
 THIS BAR IS EQUAL TO 2" AT FULL SCALE (34x22).

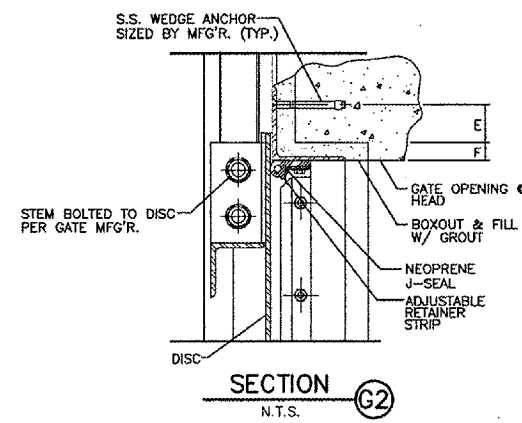


SURFACE MOUNTED GATE ELEVATION
 N.T.S.

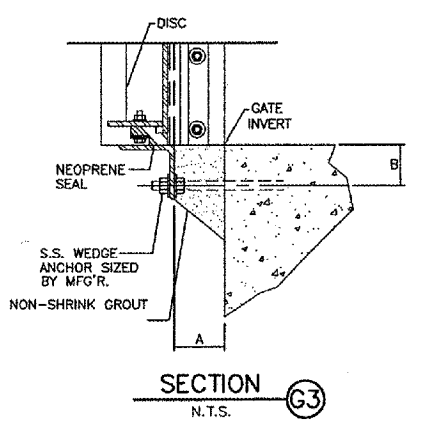
SURFACE MOUNTED GATE SECTION G1
 N.T.S.



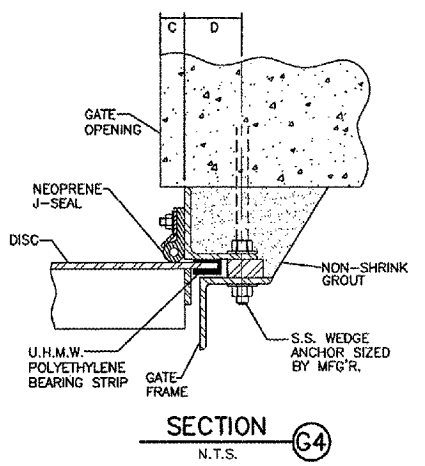
PLAN VIEW
 1/2"=1'-0"



SECTION G2
 N.T.S.



SECTION G3
 N.T.S.

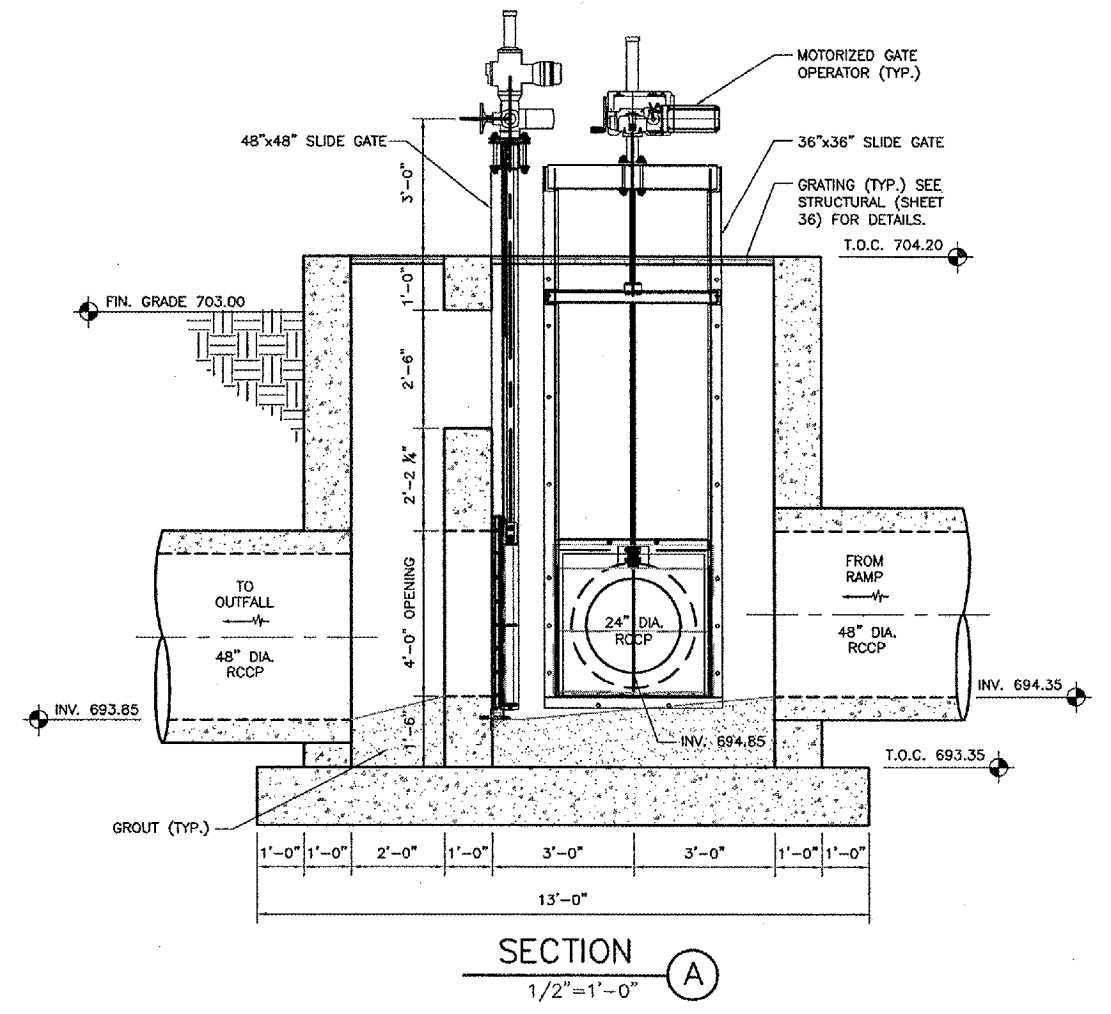


SECTION G4
 N.T.S.

ESTIMATED GATE ATTACHMENT MEASUREMENTS (TO BE VERIFIED WITH MFR'S APPROVED SHOP DWGS.)		
	48"x48" GATE	36"x36" GATE
A	2 3/4"	3 3/4"
B	2 1/4"	2 1/4"
C	1"	1"
D	2 3/8"	2 3/8"
E	2"	2"
F	1"	1"

TYPICAL GATE SURFACE MOUNTED DETAILS
 N.T.S.

- NOTES:**
- CONTRACTOR SHALL FIELD VERIFY ALL DIMENSIONS AND ELEVATIONS SHOWN AND MAKE ANY NECESSARY ADJUSTMENTS BASED UPON APPROVED SHOP DRAWINGS.
 - SLIDE GATES SHALL BE SELF-CONTAINED TYPE, STAINLESS STEEL, AND SURFACE-MOUNTED.



SECTION A
 1/2"=1'-0"

CHICAGO ROCKFORD INTERNATIONAL AIRPORT
 ROCKFORD, ILLINOIS

DIVERSION STRUCTURE
 PLAN, SECTION, AND DETAILS

© Copyright CMT, Inc.
CMT
 CHICAGO ROCKFORD INTERNATIONAL AIRPORT
 CONSULTING ENGINEERS
 License No. 184-000913

Chicago Rockford International Airport

DESIGN BY:	BDH/CAD
DRAWN BY:	JRC/CAD
CHECKED BY:	DLP
APPROVED BY:	
DATE:	02/29/08
JOB No:	07258-06
ILLINOIS PROJECT:	RFD-3787
A.I.P. PROJECT:	3-17-0088-XX
FINAL SUBMITTAL	
SHEET 35 OF 83 SHEETS	