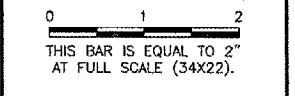


REVISIONS		
NUMBER	BY	DATE



CHICAGO ROCKFORD INTERNATIONAL AIRPORT
 ROCKFORD, ILLINOIS

STORM WATER SAMPLING BUILDING
 FOUNDATION PLAN

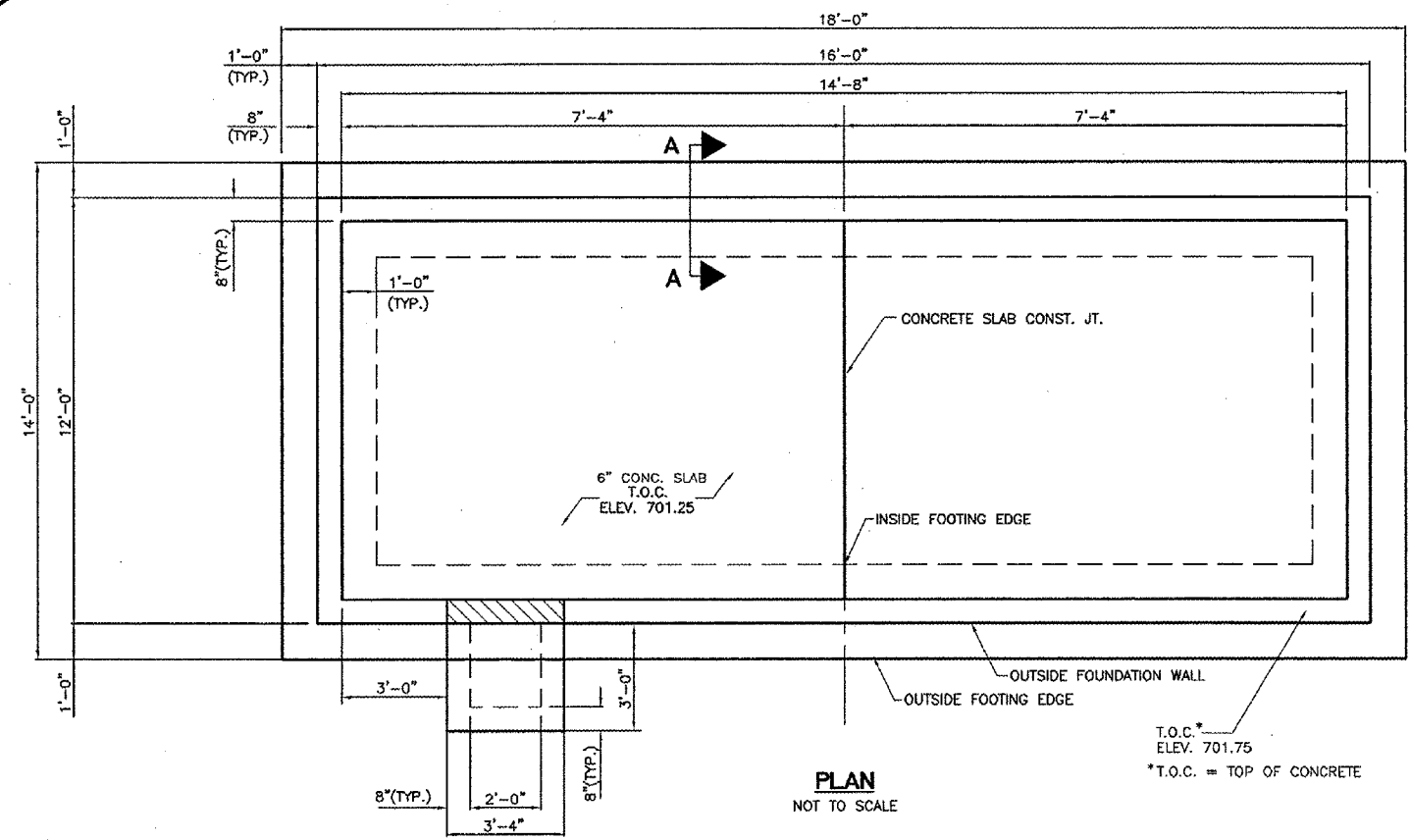
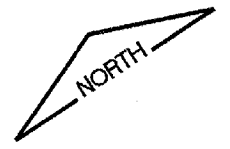
© Copyright CMT, Inc.
CMT
 CRAWFORD, MURPHY & TILLY, INC.
 CONSULTING ENGINEERS
 License No. 184-000618

Chicago
 Rockford
 International
 Airport

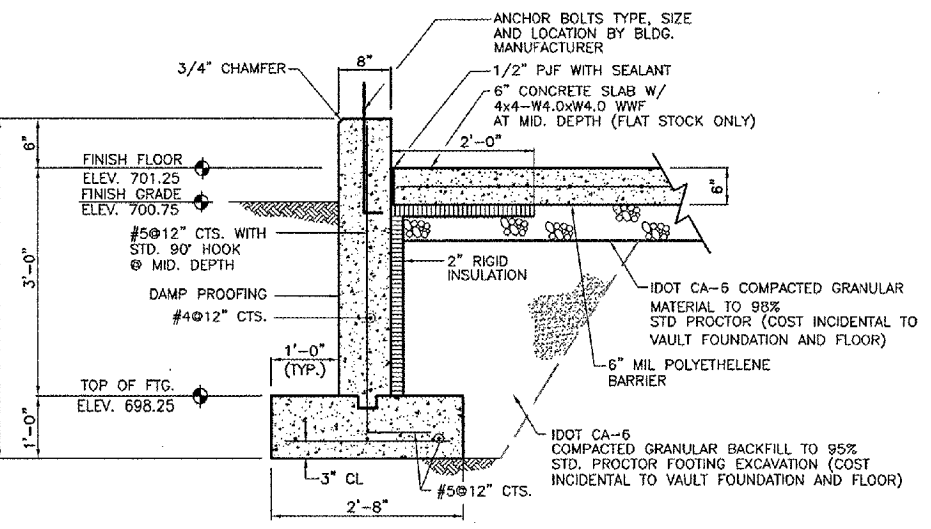
DESIGN BY:	ATI
DRAWN BY:	JRO
CHECKED BY:	DKP
APPROVED BY:	
DATE:	02/29/08
JOB No:	07258-06
ILLINOIS PROJECT: RFD-3787 A.I.P. PROJECT: 3-17-0088-XX	
FINAL SUBMITTAL	
SHEET 39 OF 83 SHEETS	

GENERAL NOTES

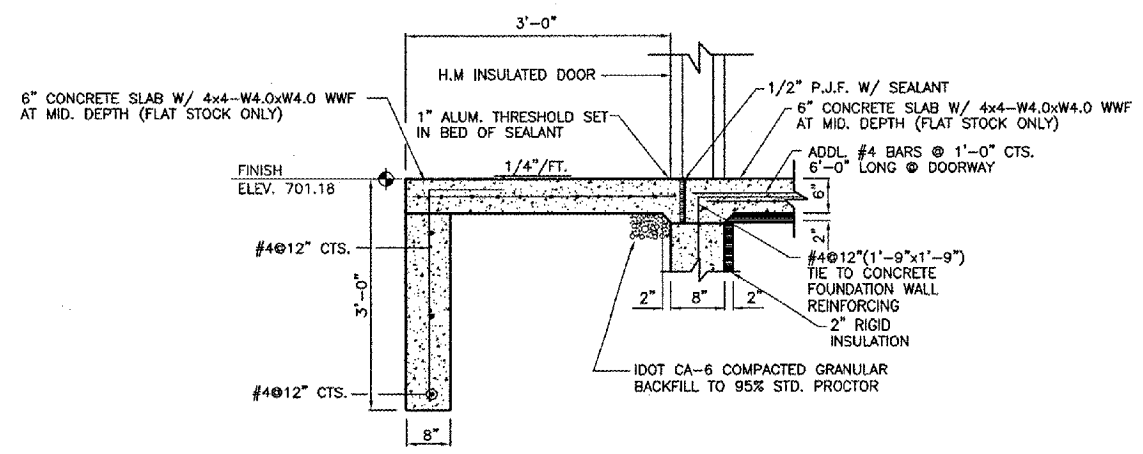
- ALL REINFORCEMENT BARS SHALL CONFORM TO ASTM A615 GRADE 60 AND SHALL BE CLEAN AND FREE OF GREASE, SCALING RUST AND OTHER FOREIGN MATERIALS.
- CAST-IN-PLACE CONCRETE SHALL HAVE A MINIMUM 14 DAYS COMPRESSIVE STRENGTH OF 4000 PSI AND SHALL CONFORM TO ITEM 610.
- THE CONTRACTOR SHALL INSTALL ALL UNDERGROUND CONDUITS BELOW CONCRETE SLAB AND STUB UP AS SHOWN ON STORM WATER SAMPLING BUILDING PLAN.
- ALL FOOTING EXCAVATIONS SHALL BE CLEAN FREE OF DEBRIS, STANDING WATER AND LOOSE SOIL AND SHALL BE INSPECTED BY THE ENGINEER PRIOR TO THE PLACEMENT OF CONCRETE OR SUBBASE.
- CONCRETE SHALL NOT BE PLACED OVER FROZEN OR MUDDY SOIL.
- RIGID INSULATION SHALL BE STYROFOAM SQUARE EDGE BY DOW OR APPROVED EQUAL (COST INCIDENTAL TO VAULT FOUNDATION AND FLOOR)
- JOINT SEALER SHALL BE DYMENIR BY TREMCO MANUFACTURING OR APPROVED EQUAL. (COST INCIDENTAL TO VAULT FOUNDATION AND FLOOR)
- DUCT SPACING AND LOCATION SHALL BE COORDINATED TO PROVIDE ADEQUATE SEPERATION FOR REINFORCING STEEL.
- CONCRETE FLOORS SHALL BE CURED WITH SEAL TIGHT CS-309-25 CURING COMPOUND BY W.R. MEADOWS OR APPROVED EQUAL. (COST INCIDENTAL TO VAULT FOUNDATION AND FLOOR)
- CONCRETE FLOORS SHALL RECIEVE TWO COATS OF SEALTIGHT TIAH BY WR MEADOWS OR APPROVED EQUAL (COST INCIDENTAL TO VALVE FOUNDATION AND FLOOR)
- CONTRACTOR SHALL COORDINATE WITH BUILDING MANUFACTURER AND FOUNDATION CONTRACTOR TO ENSURE FOUNDATION DIMENSIONS WILL FIT FOR TYPE OF BUILDING SPECIFIED.



PLAN
 NOT TO SCALE



TYPICAL FOUNDATION SECTION - SECTION A-A
 NOT TO SCALE



TYPICAL SECTION THRU DOORWAY
 NOT TO SCALE

NOTES

- COST OF DOORWAY SLAB SHALL BE INCLUDED IN STORM WATER SAMPLING BUILDING PAY ITEM.

IMAGE FILES: RFD Airport.mtl logo.dwg