



REVISIONS		
NUMBER	BY	DATE

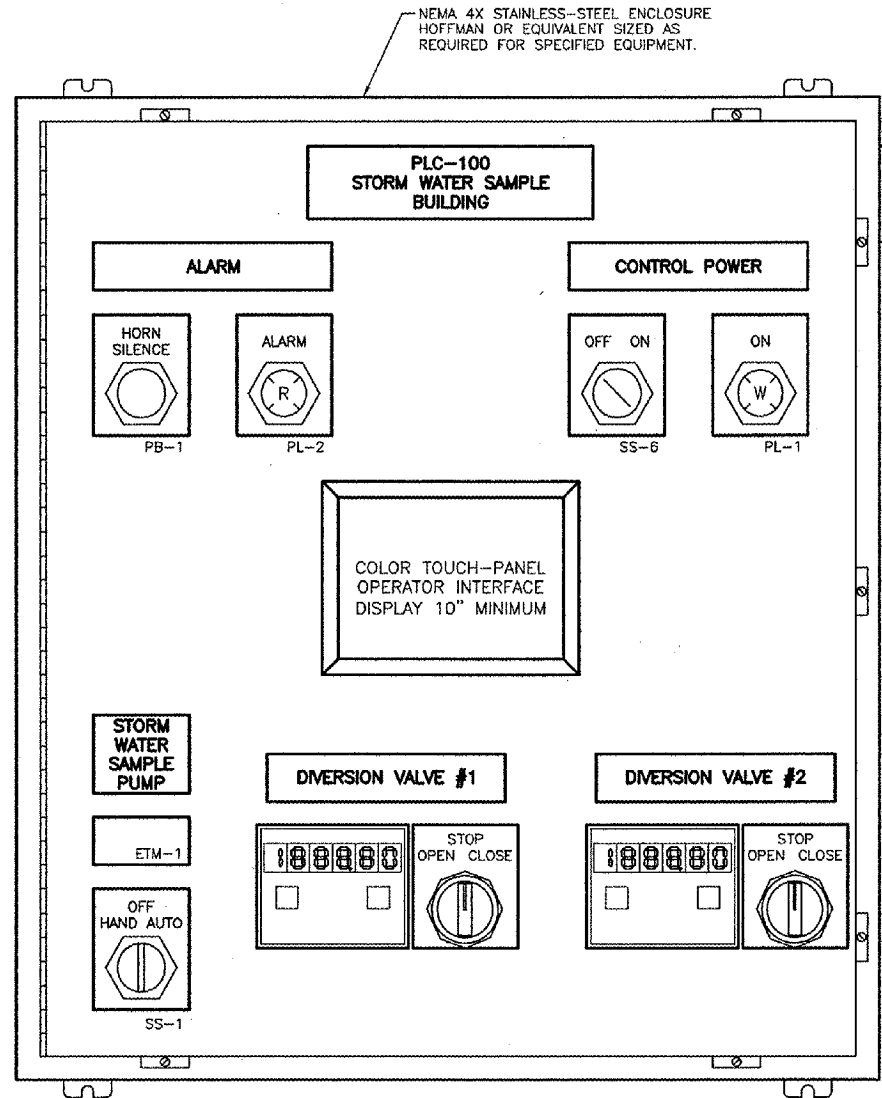
0 1 2  
 THIS BAR IS EQUAL TO 2" AT FULL SCALE (34X22).

CHICAGO ROCKFORD INTERNATIONAL AIRPORT  
 ROCKFORD, ILLINOIS  
 CONTROL SYSTEM SHEET 1


**CMT**  
 CRAWFORD, MURPHY & TILLY, INC.  
 CONSULTING ENGINEERS  
 License No. 184-000618


 Chicago Rockford International Airport

DESIGN BY:	AB
DRAWN BY:	JRO
CHECKED BY:	AB
APPROVED BY:	
DATE:	02/29/08
JOB No:	07258-06
ILLINOIS PROJECT: RFD-3787 A.I.P. PROJECT: 3-17-0088-XX <b>FINAL SUBMITTAL</b>	
SHEET 42 OF 83 SHEETS	



PLC-100 ELEVATION  
 N.T.S.

NOTES

- PLC COMPONENTS AS DESCRIBED HEREIN SHALL BE CONSIDERED GENERAL IN NATURE TO DESCRIBE THE BASIC FUNCTIONALITY DESIRED. SYSTEM'S INTEGRATORS BY THEIR NATURE OF EXPERTISE SHALL INCLUDE ADDITIONAL DEVICES, SUCH AS INTERFACE MODULES, CABLES, POWER SUPPLIES, ETC. AS NECESSARY IN ORDER TO PROVIDE A FUNCTIONAL SYSTEM AS DESCRIBED HEREIN. COST FOR SUCH ITEMS WILL BE CONSIDERED INCIDENTAL TO THE SYSTEM AND WILL NOT BE PAID FOR SEPARATELY.
- IN ORDER TO CONSOLIDATE I/O AND RACK QUANTITIES, SYSTEM'S INTEGRATOR MAY UTILIZE ALTERNATE RACK SIZES PROVIDING QUANTITY OF I/O, INCLUDING SPECIFIED SPARE POINTS, IS NOT COMPROMISED. ANY ALTERNATE ARRANGEMENTS SHALL INCLUDE A MINIMUM OF THREE (3) EMPTY SLOTS FOR FUTURE I/O CARDS.
- PLC ENCLOSURE FRONT ELEVATION IS PROVIDED FOR GENERAL LAYOUT ONLY. SYSTEM'S INTEGRATOR MAY ADJUST LAYOUT SLIGHTLY PROVIDING GENERAL GROUPING OF FUNCTIONS IS RETAINED.

EQUIPMENT NOMENCLATURE

- TVSS (TRANSIENT VOLTAGE SURGE SUPPRESSION) - SEE SPECIFICATIONS SECTION 16671
- UPS (UNINTERRUPTIBLE POWER SUPPLY) - SEE SPECIFICATIONS SECTION 16903
- DOOR MOUNTED CONTROL OPERATORS - SEE SPECIFICATIONS SECTION 16902
- ISR - INTRINSICALLY-SAFE ISOLATED SWITCH; SEE SPECIFICATIONS SECTION 16902
- ETM - ELAPSED TIME METER; SEE SPECIFICATIONS SECTION 16902
- PS - D.C. POWER SUPPLY 24 VDC OUTPUT; SEE SPECIFICATIONS SECTION 16903
- AH - ALARM HORN; 120 VAC, NEMA 4, FEDERAL-SIGNAL #350-120VAC INCLUDING K8435666A GASKET KIT, OR EQUIVALENT.
- PLC EQUIPMENT - SEE SPECIFICATIONS SECTION 16903
- CONTROL RELAYS & TIMERS - SEE SPECIFICATIONS SECTION 16902

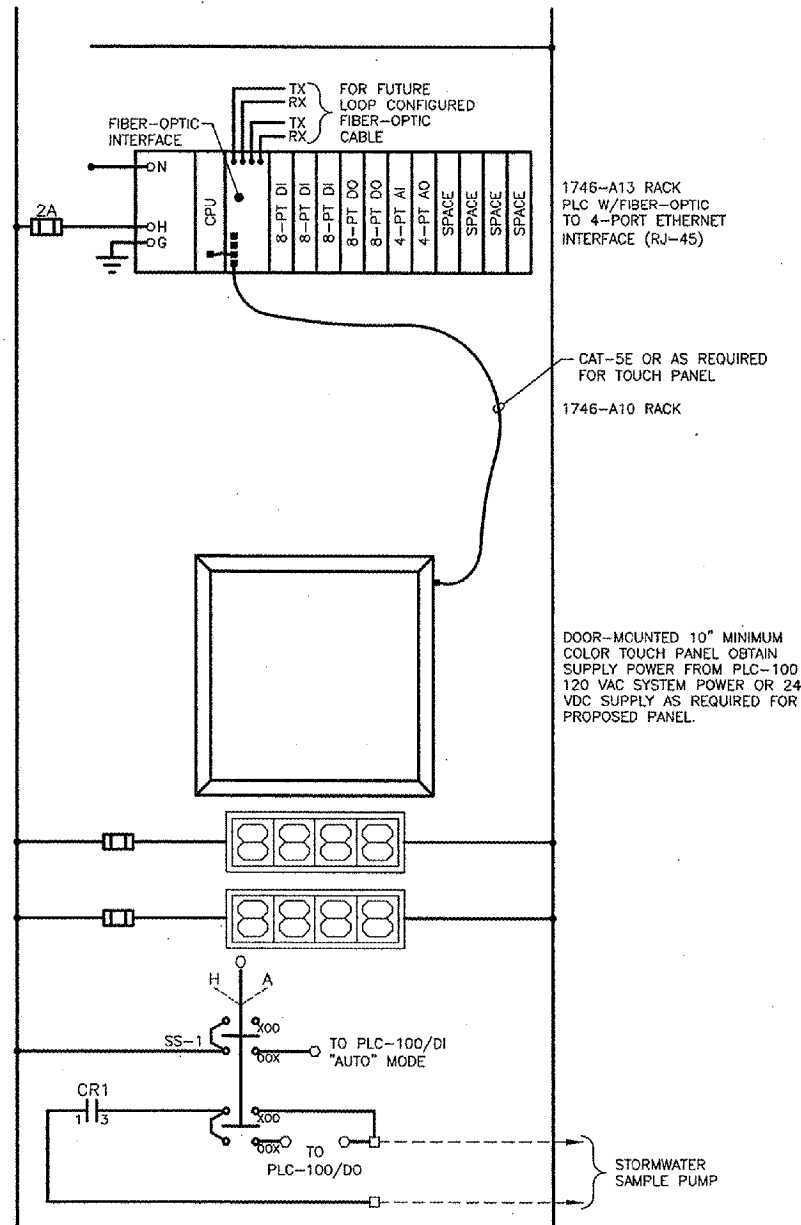
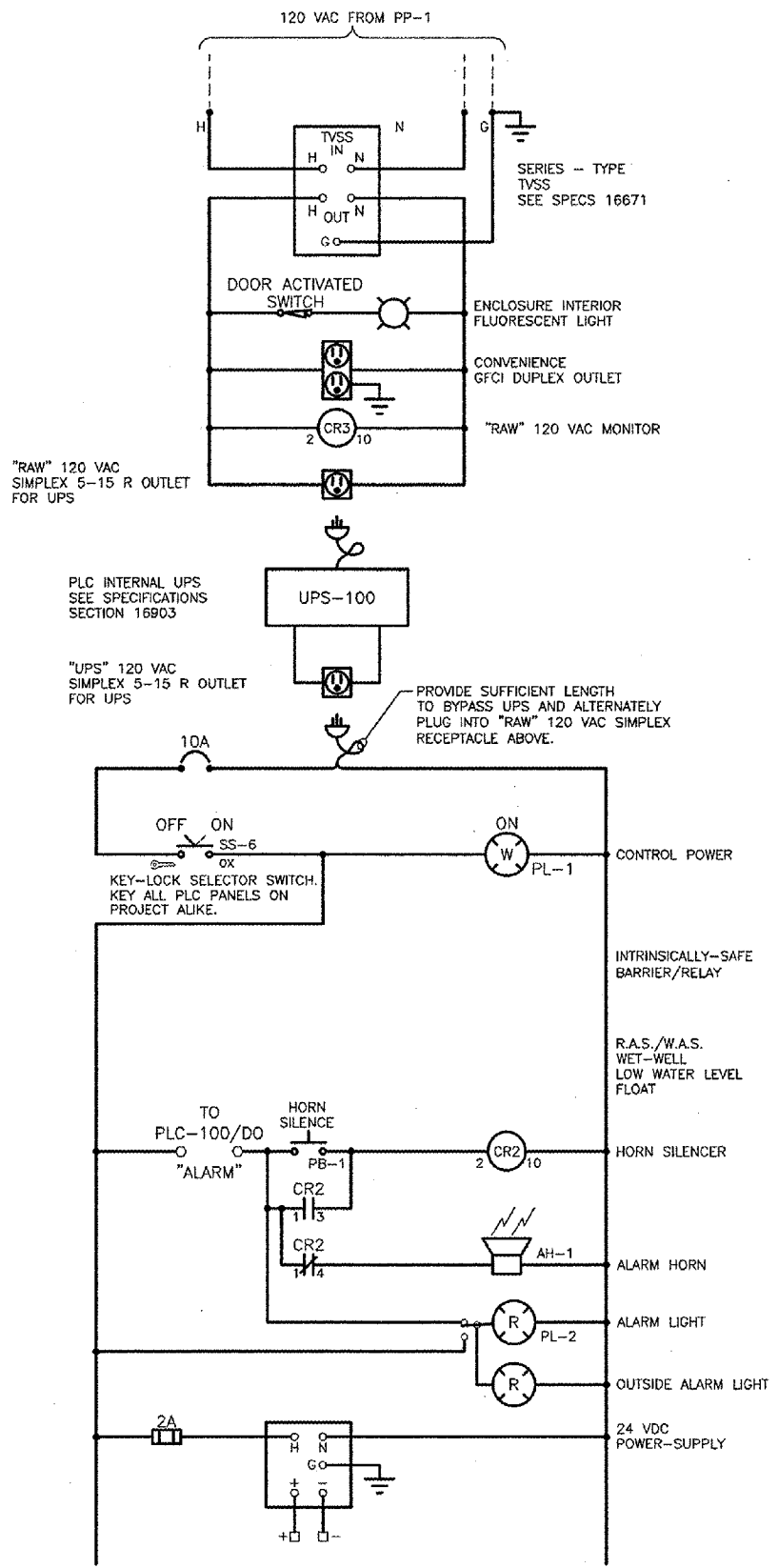


IMAGE FILES: RFD Airport Int'l Logo.dwg