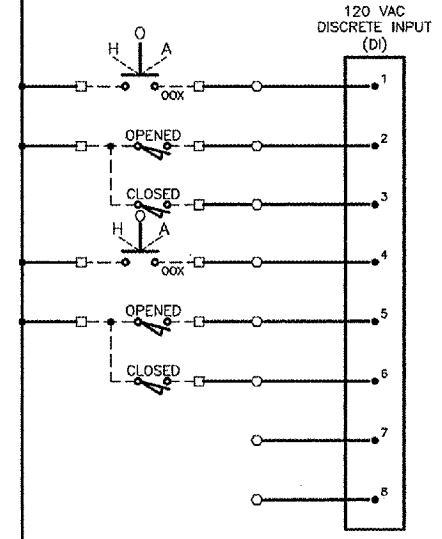
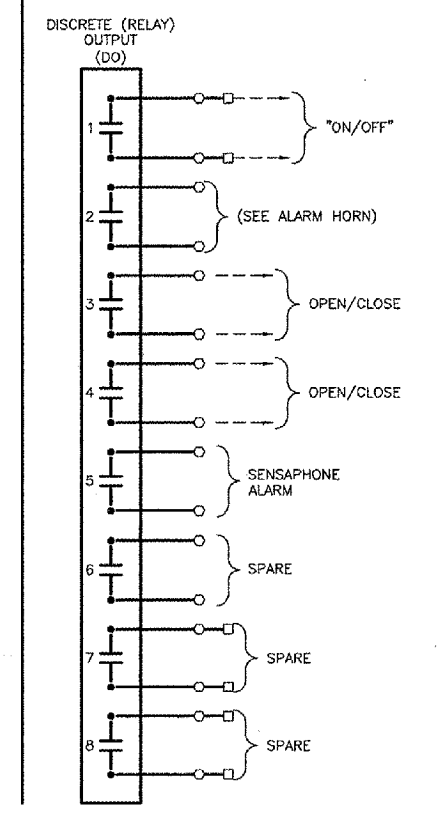


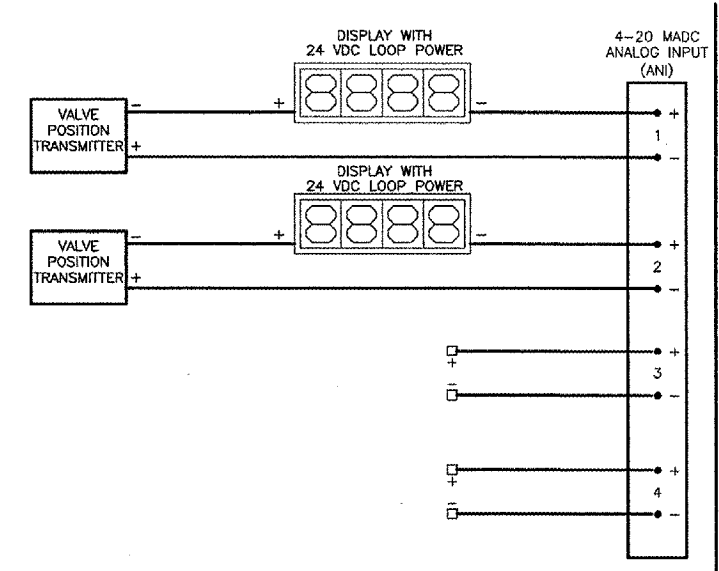
PLC-100 UPS ALARM
 STORM WATER SAMPLE PUMP
 STORM WATER SAMPLING ALARM
 AMMONIA ANALYZER ALARM



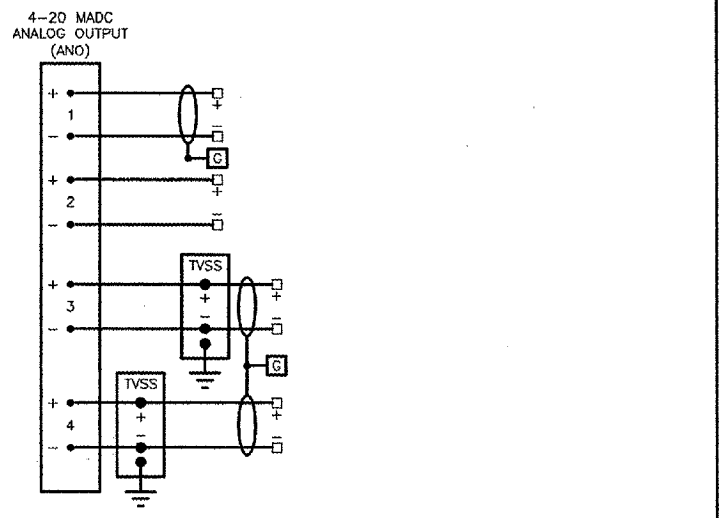
DIVERSION VALVE #1
 DIVERSION VALVE #2
 SPARE DI



STORM WATER SAMPLE PUMP
 PLC-100 SYSTEM ALARM
 DIVERSION VALVE #1
 DIVERSION VALVE #2
 SENSAPHONE ALARM DIALER
 SPARE DO
 SPARE DO
 SPARE DO

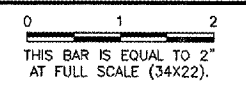


DIVERSION VALVE #1
 DIVERSION VALVE #2
 SPARE AI



SPARE AO
 SPARE AO
 SPARE AO
 SPARE AO

REVISIONS		
NUMBER	BY	DATE



CHICAGO ROCKFORD INTERNATIONAL AIRPORT
 ROCKFORD, ILLINOIS

CONTROL SYSTEM SHEET 2

© Copyright CMT, Inc.
CMT
 CRAWFORD, MURPHY & TILLY, INC.
 CONSULTING ENGINEERS
 License No. 184-000833
 Chicago Rockford International Airport

DESIGN BY:	AB
DRAWN BY:	JRO
CHECKED BY:	AB
APPROVED BY:	
DATE:	02/29/08
JOB No:	07258-06
ILLINOIS PROJECT: RFD-3787 A.I.P. PROJECT: 3-17-0088-XX FINAL SUBMITTAL	
SHEET 43 OF 83 SHEETS	