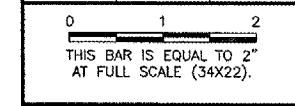


REVISIONS		
NUMBER	BY	DATE



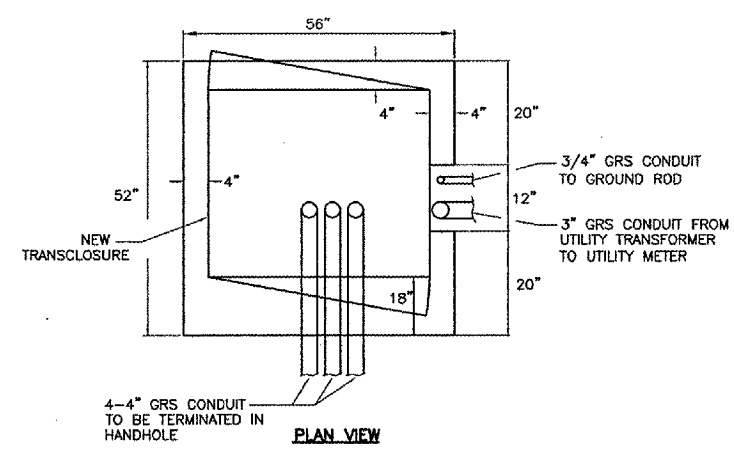
CHICAGO ROCKFORD INTERNATIONAL AIRPORT
 ROCKFORD, ILLINOIS
 APRON LIGHTING TRANSCLASURE DETAIL

© Copyright CMT, Inc.

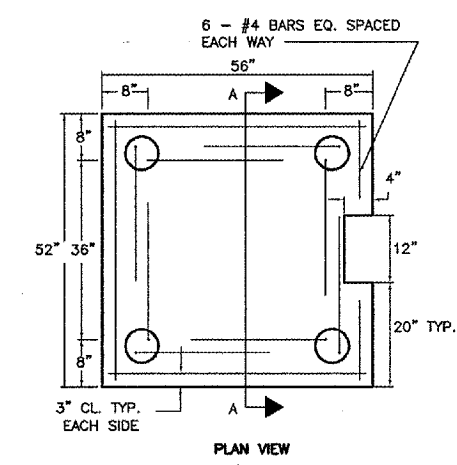
CMT
 CRAWFORD, MURPHY & TILLY, INC.
 CONSULTING ENGINEERS
 License No. 184-000513

Chicago
 Rockford
 International
 Airport

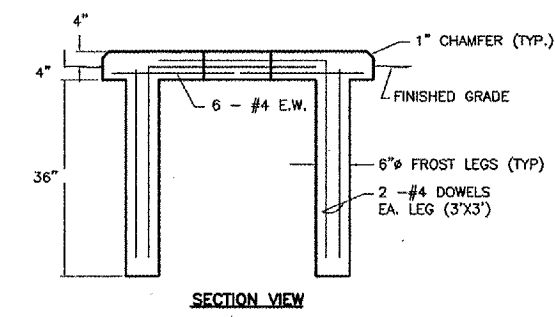
DESIGN BY:	AB
DRAWN BY:	JRO
CHECKED BY:	AB
APPROVED BY:	
DATE:	02/29/08
JOB No:	07258-06
ILLINOIS PROJECT: RFD-3787 A.I.P. PROJECT: 3-17-0088-XX FINAL SUBMITAL	
SHEET 46 OF 83 SHEETS	



NEW TRANSCLASURE
 PLAN VIEW



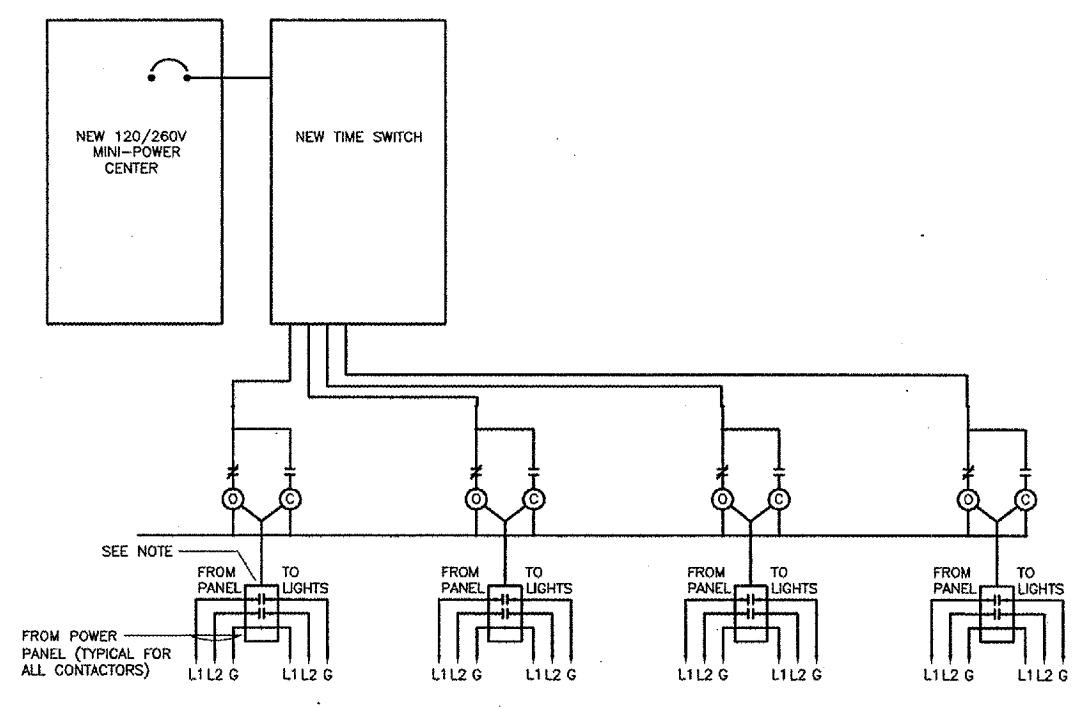
PLAN VIEW



SECTION VIEW

CONCRETE PAD FOR ELECTRICAL TRANSCLASURE
 NOT TO SCALE

- 1) CONCRETE SHALL HAVE A COMPRESSIVE STRENGTH AT 14 DAYS OF 3500 PSI
- 2) REINFORCING STEEL SHALL BE A-615 GRADE 60
- 3) ALL EXPOSED EDGES AND EQUIPMENT PADS SHALL BE CHAMFERED 1"
- 4) CONTRACTOR SHALL INSTALL CONDUITS THROUGH PAD AS REQUIRED. CONDUITS NOT SHOWN FOR CLARITY.
- 5) DIMENSIONS ARE APPROXIMATE AND SHALL BE FIELD VERIFIED.



LIGHTING CONTACTORS WIRING SCHEMATIC

NOT TO SCALE

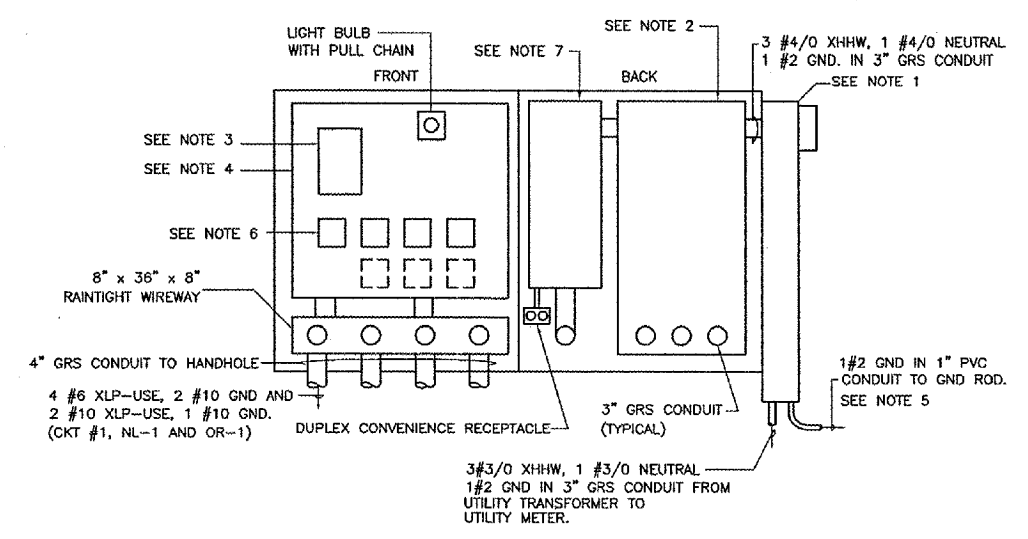
- NOTES:
1. NEW 2-POLE, 480V 30 AMP LIGHTING CONTACTOR (TYPICAL OF 4).

POWER PANEL A SCHEDULE			
CIRCUIT NO.	POLE NO.	CIRCUIT BREAKER SIZE	USAGE
A-1	1,3	200A	MAIN CIRCUIT BREAKER
A-2	2,4	30A	APRON LOT LIGHTING CKT. 1
A-3	5,7	30A	APRON LIGHTING CKT. 2
A-4	6,8	30A	NIGHT LIGHT (NL-1)
A-5	10,12	30A	NIGHT LIGHT (NL-2)
A-6	9,11	30A	MINI-POWER CENTER SPARE

LIGHTING PANEL B SCHEDULE			
CIRCUIT NO.	POLE NO.	CIRCUIT BREAKER SIZE	USAGE
B-1	1	20A	CONVENIENCE RECEPTACLE
B-2	2	15A	TIMECLOCK
B-3	3	15A	INSIDE LIGHT
B-4	4	20A	SPARE

NOTES

1. UTILITY METER. THE NEW ELECTRIC SERVICE SHALL BE 200 AMP, 480/277 VOLT, 3 PHASE, 4-WIRE 60 HZ SERVICE. UTILITY METER SHALL BE INSTALLED ON THE SIDE OF TRANSCLASURE. CONTRACTOR SHALL SUPPLY THE BASE FOR METER AND COORDINATE SERVICE CONNECTION WITH UTILITY COMPANY.
2. 20 CIRCUIT POWER PANEL WITH 200 AMP 3-POLE MAIN CIRCUIT BREAKER.
3. 8 CIRCUIT PROGRAMMABLE TIMECLOCK, MODEL NO. ET70815CR AS MANUFACTURED BY INTERMATIC OR EQUAL.
4. 42" x 36" x 8" JUNCTION BOX HOUSING FOR TIMECLOCK AND CONTACTORS.
5. GROUND ROD SHALL BE 3/4" DIA. x 10'-0" COPPER CLAD. ALL CONNECTIONS TO GROUND ROD SHALL BE ONE-SHOT EXOTHERMIC TYPE.
6. 30A, 2-POLE LIGHTING CONTACTOR. (TYP. OF 4) (SPACE FOR 4 FUTURE CONTACTORS).
7. 15 KVA, 480V-120/240V, 1-PHASE MINI-POWER CENTER W/ 20 CIRCUITS, PANEL B



ELECTRICAL TRANSCLASURE DETAIL
 NOT TO SCALE