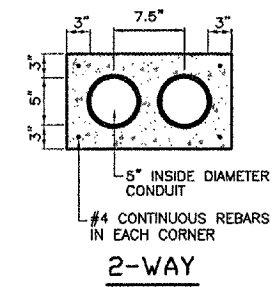
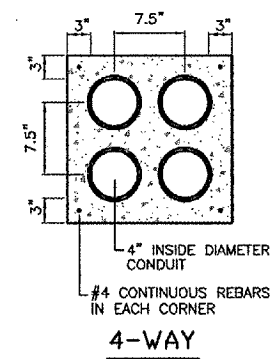


**CONCRETE ENCASED DUCT END DETAIL**  
 NO SCALE



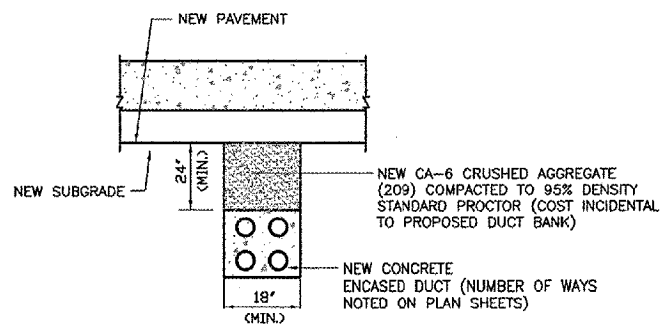
**2-WAY**



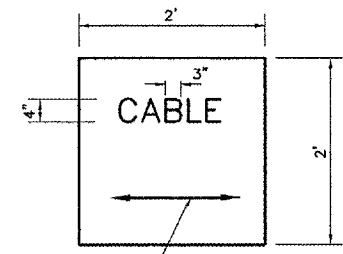
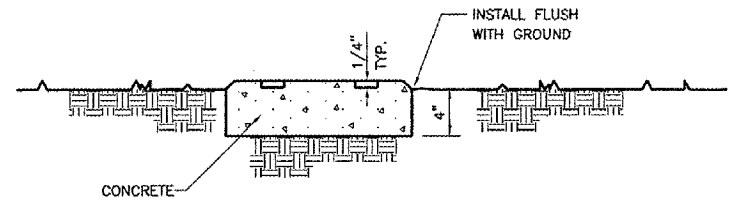
**4-WAY**

**CONCRETE ENCASED DUCT BANKS**  
 NOT TO SCALE

- NOTES:**
1. DIMENSIONS ARE MINIMUM.
  2. CONCRETE SHALL CONFORM TO ITEM 610.
  3. ALL CONDUIT SHALL BE SCHEDULE 40 PVC.
  4. TOP OF CONCRETE ENCASEMENT IN TURF AREAS SHALL NOT BE LESS THAN 24" BELOW FINISHED GRADE.



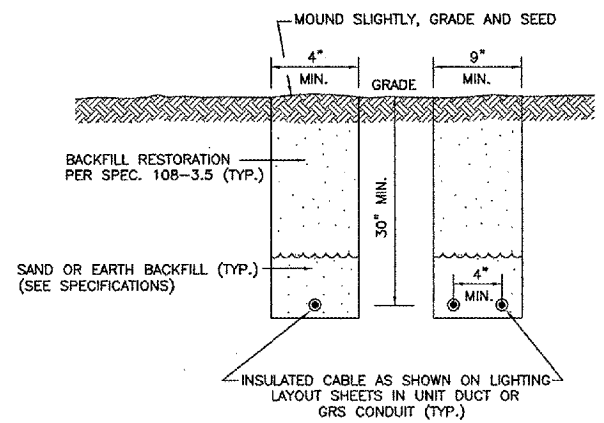
**CONCRETE ENCASED DUCT BACKFILL**  
 NOT TO SCALE



ARROW TO INDICATE THE DIRECTION OF THE CABLE RUN

- NOTES:**
- 1.) CABLE MARKERS SHALL BE INSTALLED AT ALL BENDS AND EVERY 200' ALONG THE CABLE RUN.
  - 2.) ITEM 610 CONCRETE SHALL BE USED.
  - 3.) ALL EXPOSED EDGES SHALL BE EDGED WITH A 1/4" RADIUS TOOL.
  - 4.) THE COST OF FURNISHING AND INSTALLING NEW MARKERS SHALL BE INCIDENTAL TO THE ASSOCIATED CABLE ITEMS.
  - 5.) 0.049 CU. YD. CONCRETE PER MARKER.

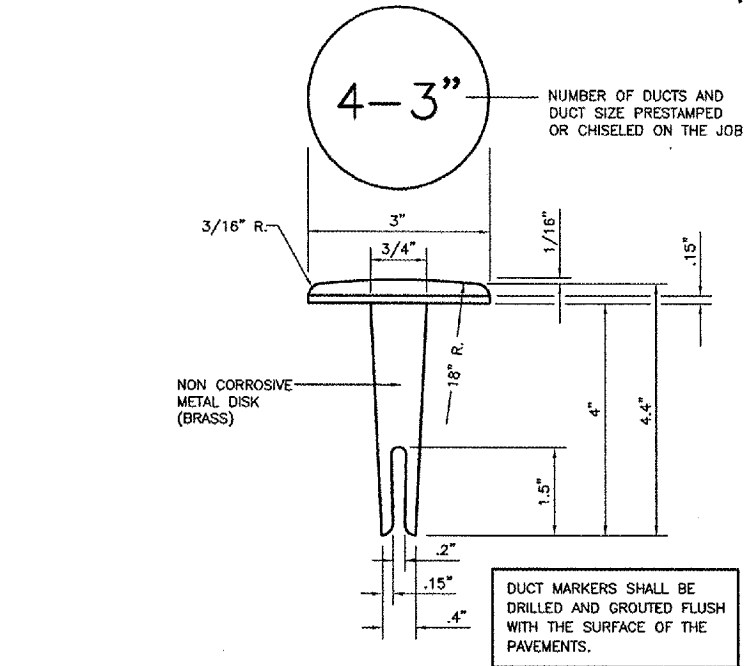
**TURF CABLE MARKER DETAIL**  
 NOT TO SCALE



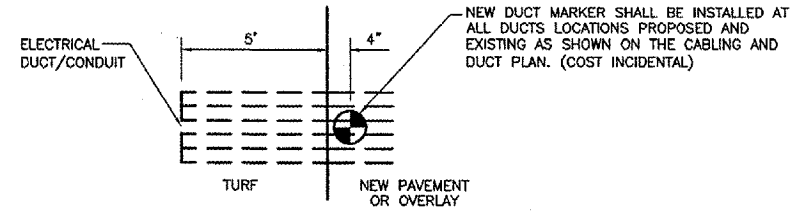
**TRENCH DETAIL**  
 NOT TO SCALE

- NOTES:**
1. TRENCHES WITH MORE THAN 2 CABLES SHALL BE INCREASED 3" IN WIDTH FOR EACH ADDITIONAL CABLE. IF SPECIFIED ON PLANS, TWO PARALLEL TRENCHES MAY BE CONSTRUCTED.
  2. DEPTH OF TRENCHES SHALL BE AS SHOWN UNLESS OTHERWISE SPECIFIED ON THE PLANS.
  3. SAND BACKFILL SHALL BE USED IF THE EXISTING SOIL DOES NOT MEET THE BACKFILL REQUIREMENTS.
  4. ALL DISTURBED SURFACES SHALL BE RESTORED TO THEIR ORIGINAL CONDITION. COST IS INCIDENTAL.

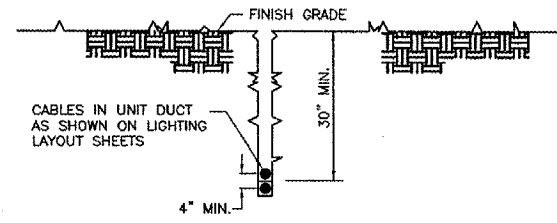
NOTE: AT CONTRACTOR'S OPTION, CABLE PLOWING MAY BE USED IN LIEU OF TRENCHING.



**DUCT/CONDUIT MARKER DETAIL**  
 NOT TO SCALE

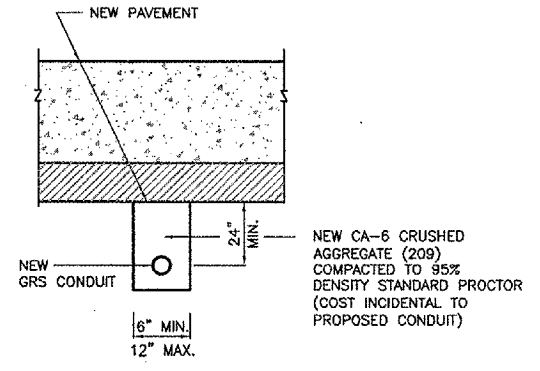


NOTE: COST OF CONNECTION SHALL BE CONSIDERED INCIDENTAL TO PROPOSED DUCT.



**CABLE IN UNIT DUCT - PLOWED**  
 NOT TO SCALE

CONTRACTOR SHALL HAVE THE OPTION TO TRENCH OR PLOW UNIT DUCT. NO ADDITIONAL PAYMENT SHALL BE MADE FOR TRENCHING.



**GRS CONDUIT UNDER P.C.C. PAVEMENT DETAIL**  
 NOT TO SCALE

NEW DUCT BANK/CONDUIT SHALL BE INSTALLED AT AN ELEVATION THAT WILL NOT CONFLICT WITH EXISTING OR NEW UTILITIES INCLUDING STORM SEWER, UNDERDRAIN, CONDUIT, DUCT, GAS, WATERMAIN, PHONE, ELECTRICAL AT NO ADDITIONAL COST TO THE CONTRACT.

REVISIONS		
NUMBER	BY	DATE

0 1 2  
 THIS BAR IS EQUAL TO 2" AT FULL SCALE (34x22).

CHICAGO ROCKFORD INTERNATIONAL AIRPORT  
 ROCKFORD, ILLINOIS

ELECTRICAL DETAILS - SHEET 1

© Copyright CMT, Inc.  
**CMT**  
 CRAMFORD, MURPHY & TILLY, INC.  
 CONSULTING ENGINEERS  
 License No. 184-000615  
 Chicago Rockford International Airport

DESIGN BY:	AAO
DRAWN BY:	JRO
CHECKED BY:	DKP
APPROVED BY:	
DATE:	02/29/08
JOB No:	07258-06
ILLINOIS PROJECT:	RFD-3787
A.I.P. PROJECT:	3-17-0088-XX
<b>FINAL SUBMITTAL</b>	
SHEET 47 OF 83 SHEETS	