

REVISIONS		
NUMBER	BY	DATE

0 1 2
 THIS BAR IS EQUAL TO 2" AT FULL SCALE (34X22).

CHICAGO ROCKFORD INTERNATIONAL AIRPORT
 ROCKFORD, ILLINOIS

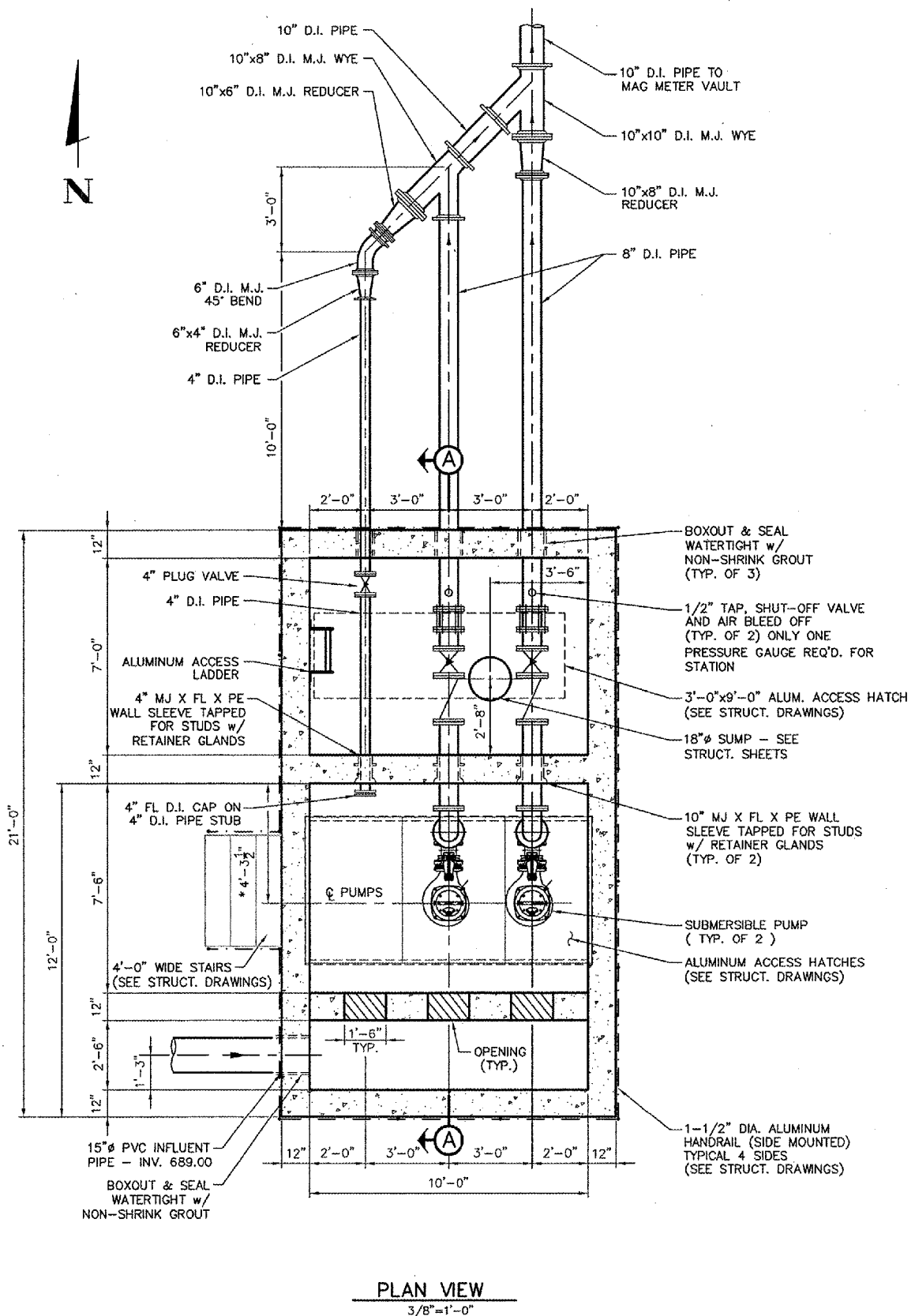
SANITARY LIFT STATION
 PLAN & SECTION

© Copyright CMT, Inc.

CMT
 CRAWFORD, MURPHY & TILLY, INC.
 CONSULTING ENGINEERS
 License No. 184-000619

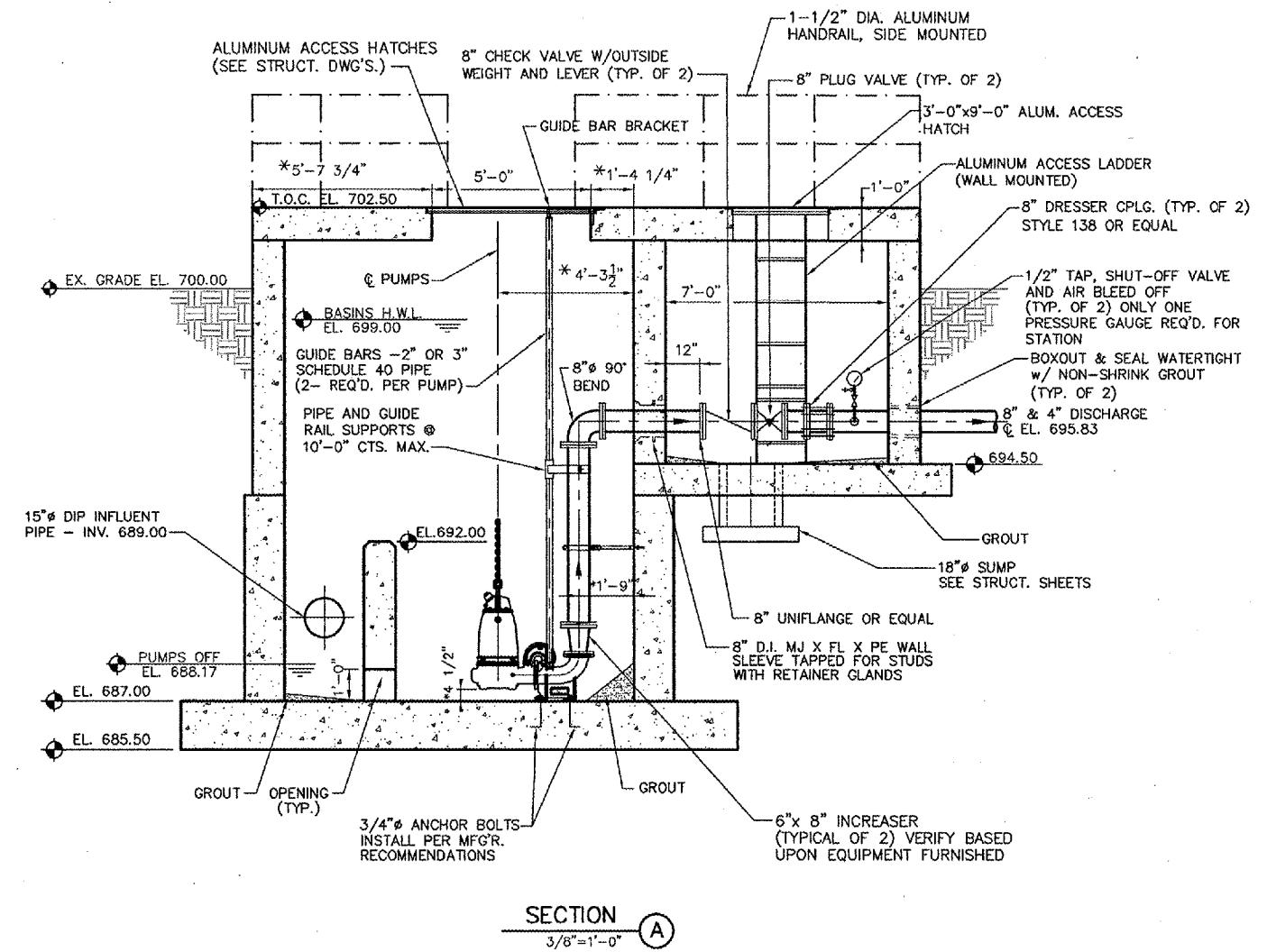
Chicago Rockford International Airport

DESIGN BY:	CAD
DRAWN BY:	CAD
CHECKED BY:	CAL
APPROVED BY:	
DATE:	02/29/08
JOB No:	07258-06
ILLINOIS PROJECT:	RFD-3787
A.I.P. PROJECT:	3-17-0088-XX
FINAL SUBMITTAL	
SHEET	73 OF 83 SHEETS

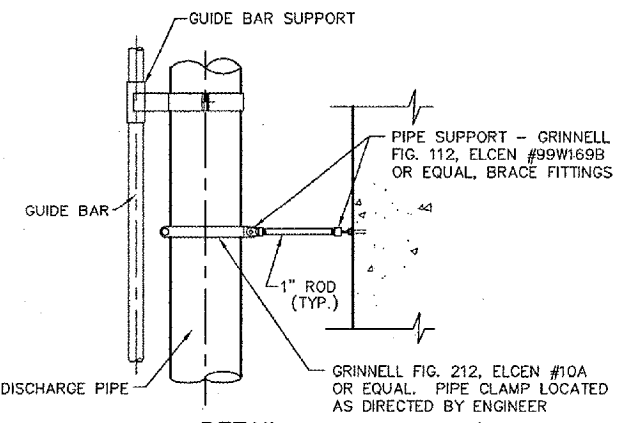


PLAN VIEW
 3/8"=1'-0"

* DIMENSION VARIES WITH PUMP MANUFACTURER. CONTRACTOR SHALL VERIFY PRIOR TO CONSTRUCTION.



SECTION A
 3/8"=1'-0"



DETAIL WALL HANGER & GUIDE BAR SUPPORT
 N.T.S.

NOTES:

1. PROVIDE RETAINER GLANDS ON ALL M.J. FITTINGS AND PIPING IN ADDITION TO THRUST BLOCKS (SEE SPEC'S.) AT ALL CHANGES IN DIRECTION OF PIPING.
2. DIMENSIONS OF HATCHES SHOWN ARE CLEAR INSIDE OPENING DIMENSIONS
3. STRUCTURAL STEEL AND BOLTS TO BE PAINTED PER THE SPECIFICATIONS.
4. COORDINATE THIS SHEET WITH STRUCTURAL AND ELECTRICAL SHEETS.
5. ALL PIPING SHALL BE D.I.P. UNLESS OTHERWISE NOTED.