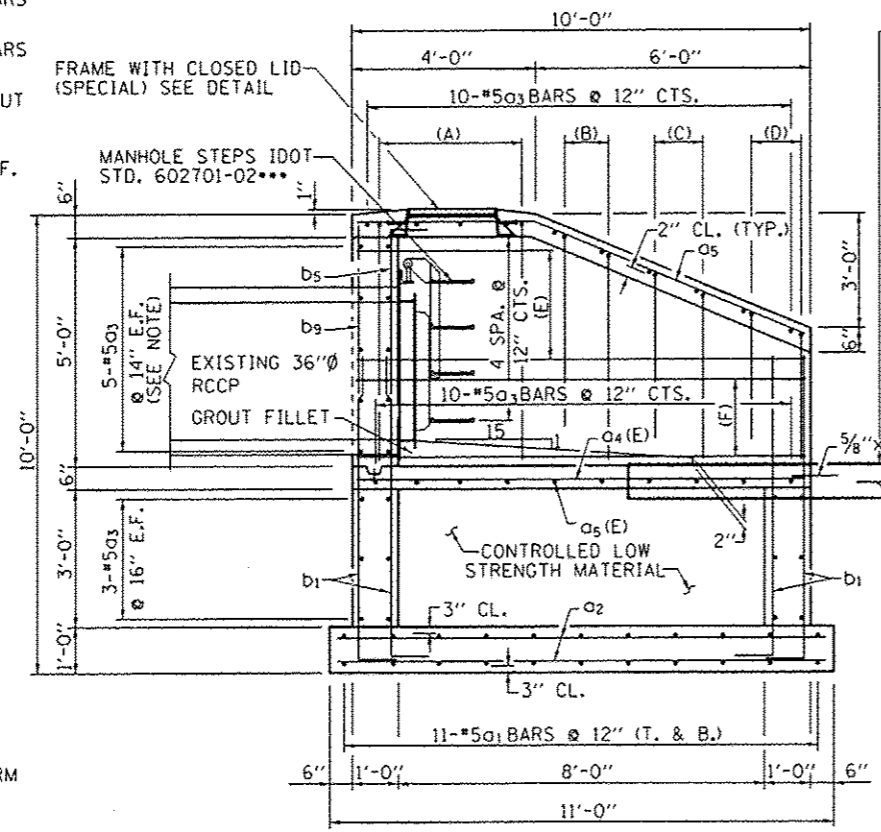


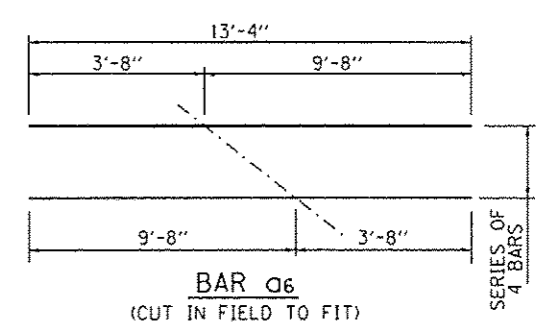
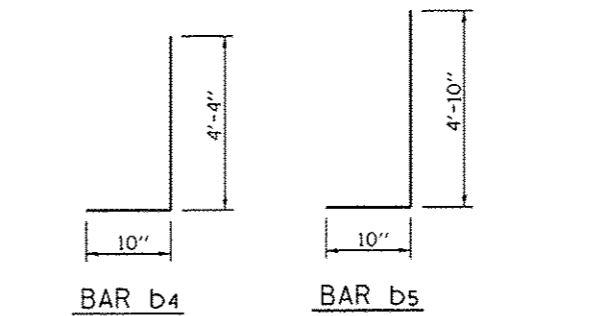
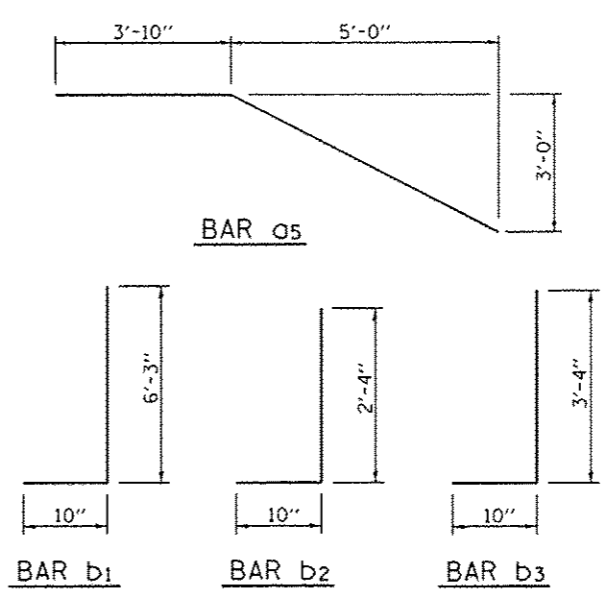
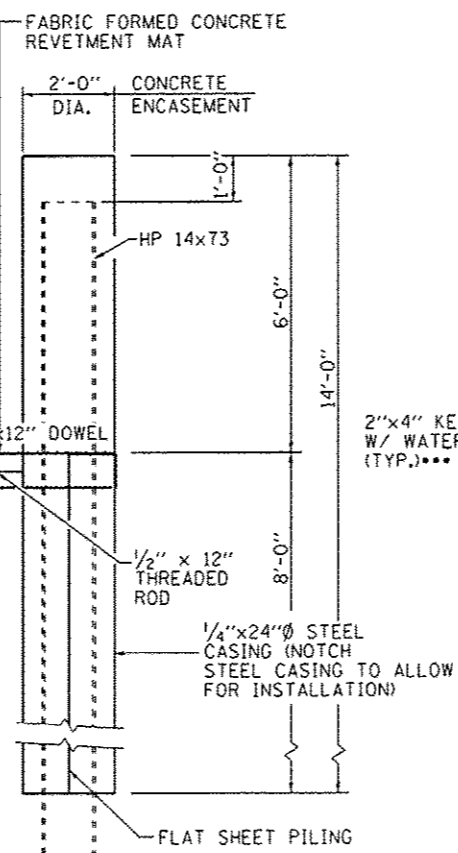
PLAN VIEW

- (A) 4-#5_{b5} BARS I.F., 4-#5_{b9} BARS O.F., LAP W/_{b1} BARS
- (B) 2-#5_{b4} BARS I.F., 2-#5_{b8} BARS O.F., LAP W/_{b1} BARS I.F.
- (C) 2-#5_{b3} BARS I.F., 2-#5_{b7} BARS O.F., LAP W/_{b1} BARS
- (D) 2-#5_{b2} BARS I.F., 2-#5_{b6} BARS O.F., LAP W/_{b1} BARS
- (E) 4-#5_{a6} BARS @ 12" CTS. (CUT TO FIT USE REMAINDER IN OPPOSITE FACE)
- (F) 2-#5_{a4} BARS @ 12" CTS. E.F.

* COST TO REMOVE EXISTING SHEET PILING TO BE INCLUDED WITH THE PAY ITEM STRUCTURE EXCAVATION
 ** COST OF THREADED RODS TO BE INCLUDED WITH THE PAY ITEM PERMANENT CASING
 *** COST OF MANHOLE STEPS, GROUT AND PVC WATERSTOP TO BE INCLUDED WITH THE PAY ITEM CONCRETE STRUCTURES
 **** COST OF 5/8" Ø DOWELS INCLUDED IN THE PAY ITEM FABRIC FORMED CONCRETE REVETMENT MAT.



SECTION A-A



BILL OF MATERIAL

BAR	NO.	SIZE	LENGTH	SHAPE
a1	22	#5	7'-0"	—
a2	16	#5	10'-6"	—
a3	42	#5	6'-2"	—
a4	27	#5	9'-8"	—
a5	7	#5	10'-4"	—
a6	8	#5	13'-4"	—
b1	68	#5	7'-1"	L
b2	4	#5	3'-2"	L
b3	4	#5	4'-2"	L
b4	4	#5	5'-2"	L
b5	15	#5	5'-8"	L
b6	4	#5	2'-4"	—
b7	4	#5	3'-4"	—
b8	4	#5	4'-4"	—
b9	15	#5	4'-10"	—
d1	8	#5	2'-6"	—

STRUCTURE EXCAVATION	CU. YD.	66
REINFORCEMENT BARS	POUND	1850
CONTROLLED LOW STRENGTH MATERIAL	CU. YD.	4
CONCRETE STRUCTURES	CU. YD.	12.3
CONCRETE ENCASEMENT	CU. YD.	6.5
PERMANENT CASING	FOOT	56
PERMANENT STEEL SHEET PILING	SO. FT.	80
FABRIC FORMED CONCRETE REVETMENT MAT	SO. YD.	9
FLAP GATE (SPECIAL)	EACH	1
FRAME WITH CLOSED LID (SPECIAL)	EACH	1
FURNISHING STEEL PILES, HP14X73	FOOT	144
DRIVING PILES	FOOT	124
TEMPORARY SOIL RETENTION SYSTEM	SO. FT.	345

MINIMUM LAP LENGTH

#5 BAR = 1'-11"

NOTES:
 1. CUT BARS AROUND STORM SEWER PIPE AND MANHOLE TO PROPER INSTALLATION AND 1/2" CLEAR.
 2. SEE OUT STRUCTURE SPECIAL PROVISIONS FOR WATERSTOP REQUIREMENTS.