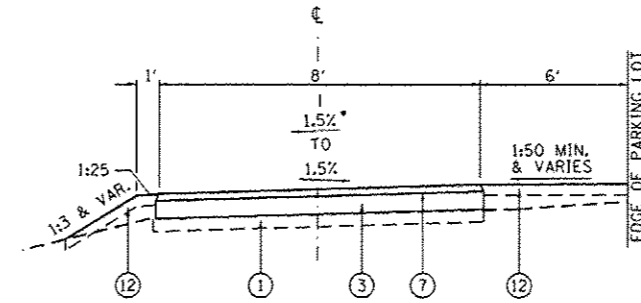
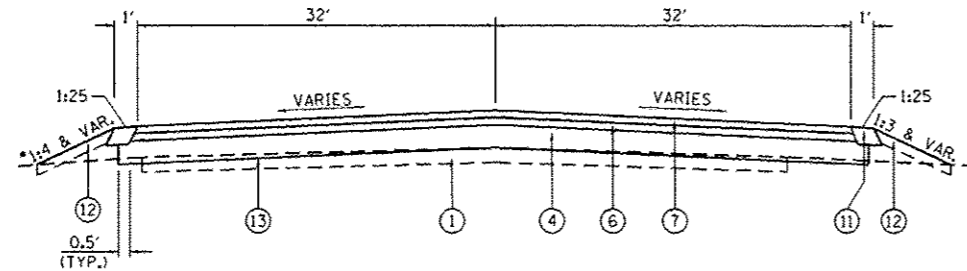


ALTA ENTRANCE - TYPICAL #1  
STA. 10+16.00 TO STA. 11+38.34



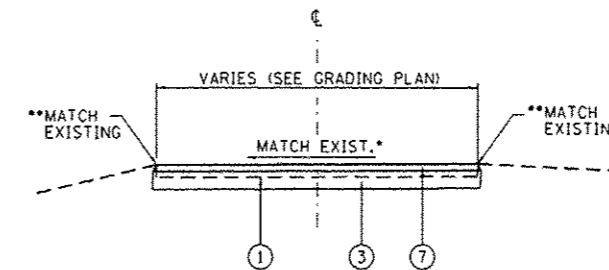
ALTA TRAIL - TYPICAL #4  
STA. 0+10.00 TO STA. 5+80.00  
(LOOKING EAST)

\*TRANSITION CROSS SLOPE STA. 3+80.00 TO STA. 4+80.00



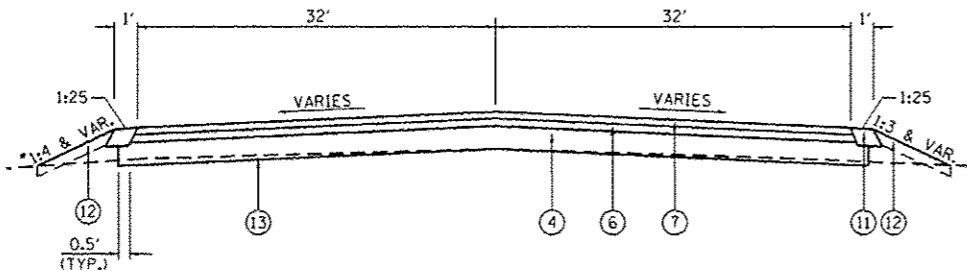
ALTA PARKING LOT - TYPICAL #2  
STA. 11+38.34 TO STA. 15+21.30  
(LOOKING EAST)

\*WEST LOT - MATCH EXISTING GROUND  
EAST LOT - MATCH TRAIL GRADING



ALTA TRAIL - TYPICAL #5  
STA. 5+80.00 TO STA. 6+23.54  
(LOOKING EAST)

\*TRANSITION CROSS SLOPE FROM 1.5% TO  
MATCH EXISTING STA. 5+80.00 TO STA. 5+94.81  
\*\*STA. 5+80.00 TO STA. 5+94.81 - FILL SLOPE VARIES  
STA. 5+94.81 TO STA. 6+23.54 - MATCH EXISTING



ALTA PARKING LOT - TYPICAL #3  
STA. 15+21.30 TO STA. 16+28.75  
(LOOKING EAST)

LEGEND

- ① EXISTING AGGREGATE BASE
- ② AGGREGATE BASE COURSE, TYPE A (2")
- ③ AGGREGATE BASE COURSE, TYPE A (4")
- ④ AGGREGATE BASE COURSE, TYPE A (8")
- ⑤ AGGREGATE BASE COURSE, TYPE A (VARIABLE DEPTH)
- ⑥ HOT-MIX ASPHALT BINDER COURSE, IL-19.0, N50, 2"
- ⑦ HOT-MIX ASPHALT SURFACE COURSE, MIX "C", N50, 2"
- ⑧ BITUMINOUS SURFACE TREATMENT (CLASS A-2 OR A-3):  
BITUMINOUS MATERIALS (PRIME COAT)  
BITUMINOUS MATERIALS (COVER AND SEAL COATS)  
COVER COAT AGGREGATE  
SEAL COAT AGGREGATE
- ⑨ AGGREGATE SURFACE COURSE, TYPE B (2")
- ⑩ COAL TAR EMULSION PAVEMENT SEALER
- ⑪ AGGREGATE SHOULDERS, TYPE B, 6"
- ⑫ TOPSOIL FURNISH AND PLACE, 4"
- ⑬ GEOTECHNICAL FABRIC FOR GROUND STABILIZATION

MIXTURE REQUIREMENTS

LOCATION	ALTA ENTRANCE, PARKING LOTS & TRAIL	
	BINDER	SURFACE
AC/PG:	PG 64-22	PG 64-22
RAP % (MAX)	25	15
DESIGN AIR VOIDS:	4.0% @ N <sub>design</sub> = 50	4.0% @ N <sub>design</sub> = 50
MIXTURE COMPOSITION: (GRADATION MIXTURE)	IL 19.0	IL 9.5
FRICTION AGGREGATE:	N/A	MIX "C"

NOTES:

1. EXISTING WIDTHS VARY AND NOT ALL LOCATIONS REQUIRE WIDENING. WHERE WIDENING IS REQUIRED TO ACHIEVE THE PROPOSED WIDTH, THE BASE SHALL BE WIDENED A MINIMUM OF ONE FOOT OFF OF THE EXISTING EDGE OF AGGREGATE BASE. SEE GRADING PLAN SHEETS AND WIDTH DIMENSIONS ABOVE.

FILE NAME: L:\DOT\1106GIR\WD.BVD\DWG\CADD_Sheets\08 Typical Section.dgn	USER NAME: Kristin Simmons	DESIGNED: KLT	REVISED:	<b>STATE OF ILLINOIS DEPARTMENT OF TRANSPORTATION</b>	<b>TYPICAL SECTIONS ROCK ISLAND TRAIL STATE PARK</b>			F.A. RTE.	SECTION	COUNTY	TOTAL SHEETS	SHEET NO.	
Default	PLOT SCALE: 40,000' / in.	DRAWN: GLD	REVISED:		SCALE: N.T.S.	SHEET	OF	SHEETS	STA.	TO	STA.	37	9
	PLOT DATE: 2/5/2013	CHECKED: SPH	REVISED:										
		DATE: 2/1/2013	REVISED:										
											ILLINOIS FED. AID PROJECT CONTRACT NO. 46256		