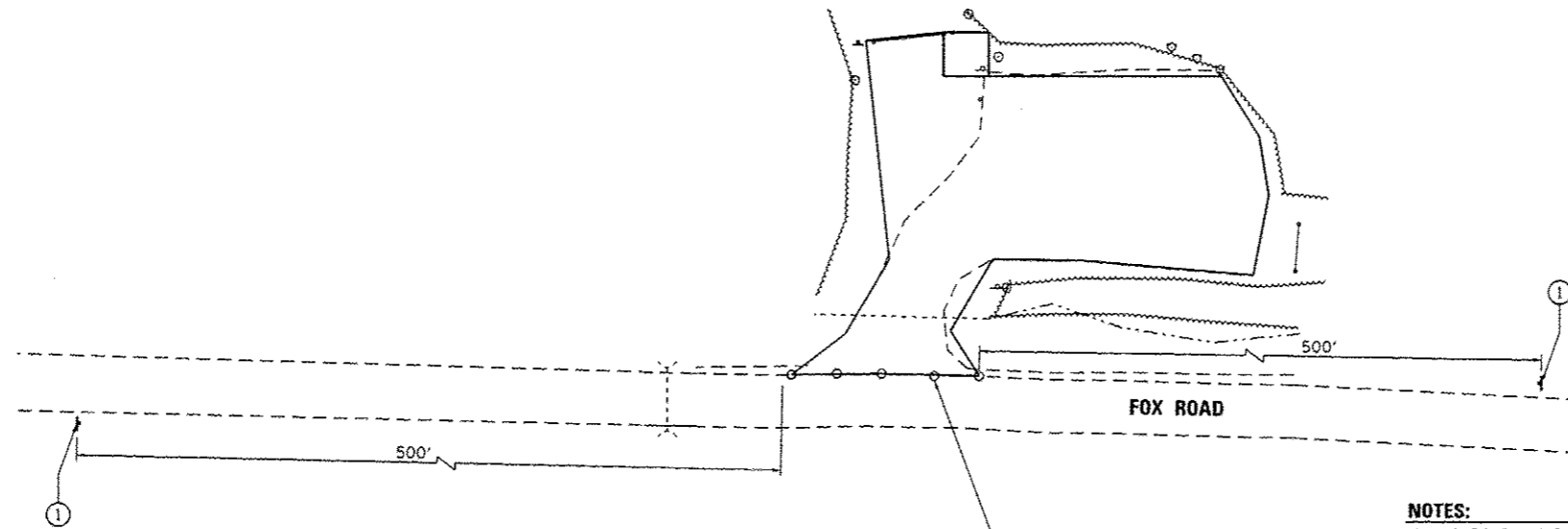
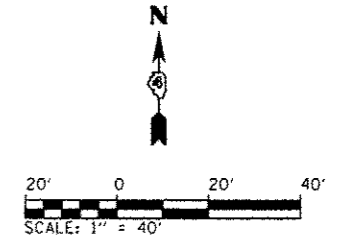


LEGEND



W-20-1103(0)-48

①



NOTES:

1. NO ROADWAY CLOSURES OF FOX ROAD ARE ALLOWED DURING CONSTRUCTION OF THE PROPOSED IMPROVEMENTS.
2. ACCESS TO THE EXISTING PARKING AREA SHALL BE CLOSED DURING CONSTRUCTION.
3. REFER TO TRAFFIC CONTROL STANDARDS 701001, BLR 18-5 & BLR 21-9 FOR DETAILS OF SIGN AND BARRICADE LOCATION.

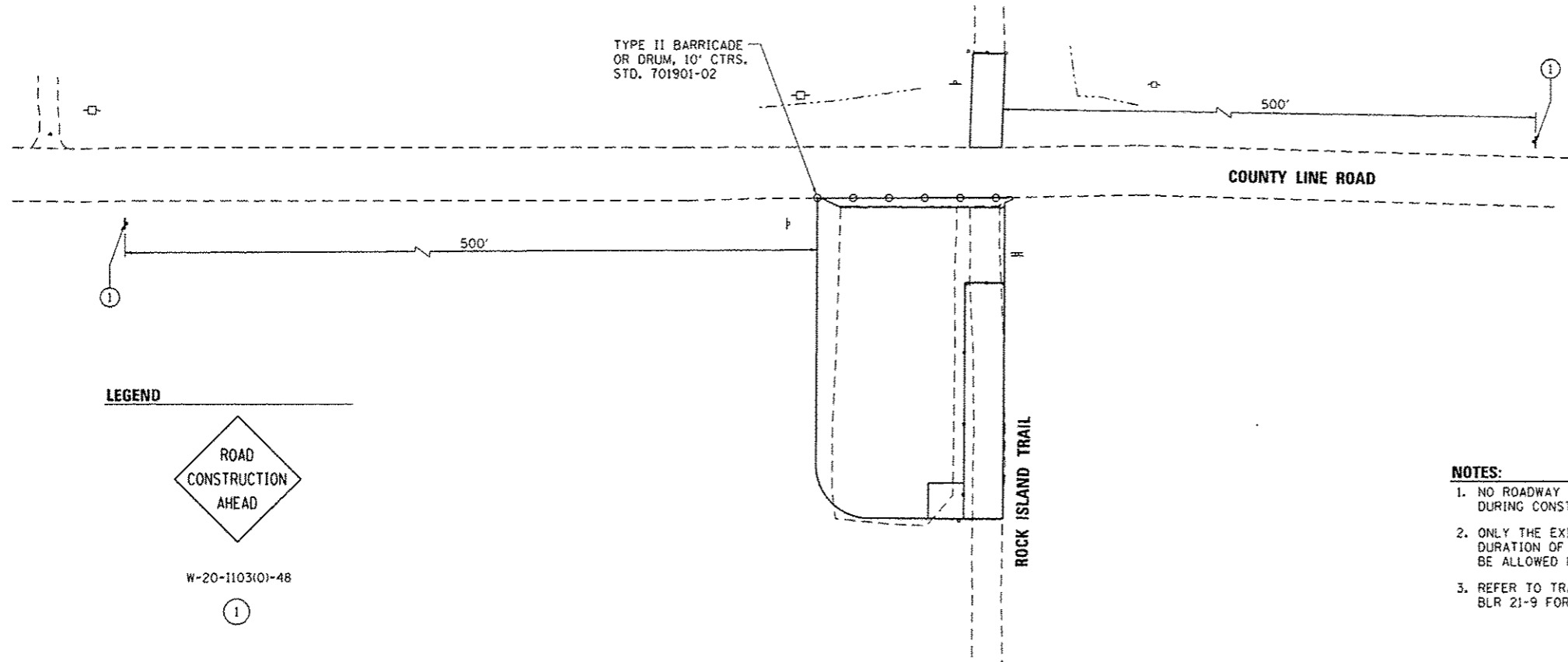
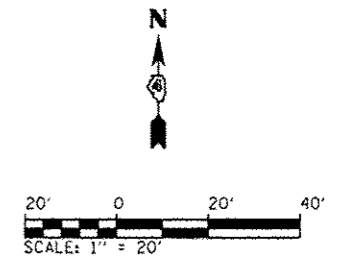
KICKAPOO CREEK

LEGEND



W-20-1103(0)-48

①



NOTES:

1. NO ROADWAY CLOSURES OF COUNTY LINE ROAD ARE ALLOWED DURING CONSTRUCTION OF THE PROPOSED IMPROVEMENTS.
2. ONLY THE EXISTING PARKING AREA SHALL BE CLOSED FOR THE DURATION OF CONSTRUCTION. CLOSURE OF THE TRAIL WILL ONLY BE ALLOWED FOR TRAIL REGRADING/RESURFACING ACTIVITIES.
3. REFER TO TRAFFIC CONTROL STANDARDS 701001, BLR 18-5 & BLR 21-9 FOR DETAILS OF SIGN AND BARRICADE LOCATION.

COUNTY LINE ROAD

FILE NAME =	USER NAME = Kristin Timmons	DESIGNED = KLT	REVISED =	STATE OF ILLINOIS DEPARTMENT OF TRANSPORTATION	TRAFFIC CONTROL PLAN - COUNTY LINE RD / KICKAPOO CREEK ROCK ISLAND TRAIL STATE PARK				F.A. RTE.	SECTION	COUNTY	TOTAL SHEETS	SHEET NO.
Li:\DOT\1106610\WD_8\Draw\CADD_Sheets\Traffic Control Plan_CountyLine-Kickapoo.dgn		DRAWN = GLD	REVISED =		SCALE: 1" = 20'	SHEET	OF	SHEETS	STA.	TO STA.	PEORIA/STARV	37	30
Default		CHECKED = SPH	REVISED =										
		DATE = 2/1/2013	REVISED =										
										ILLINOIS FED. AID PROJECT			