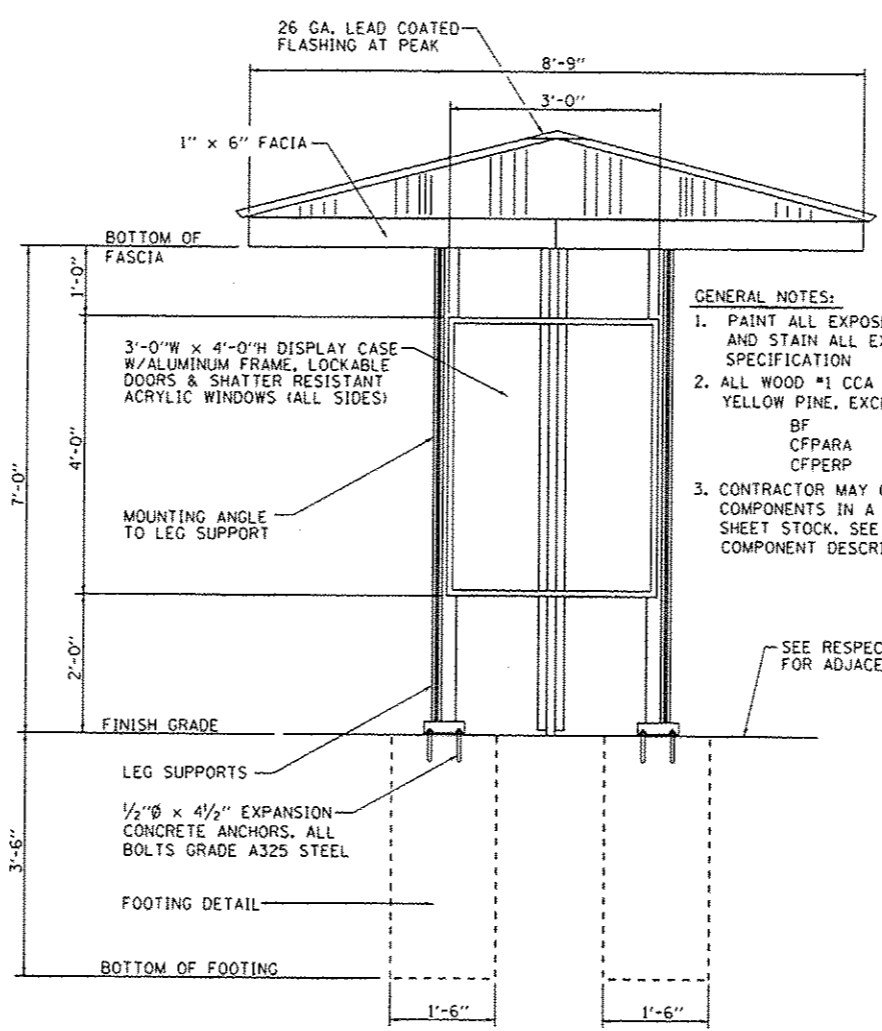
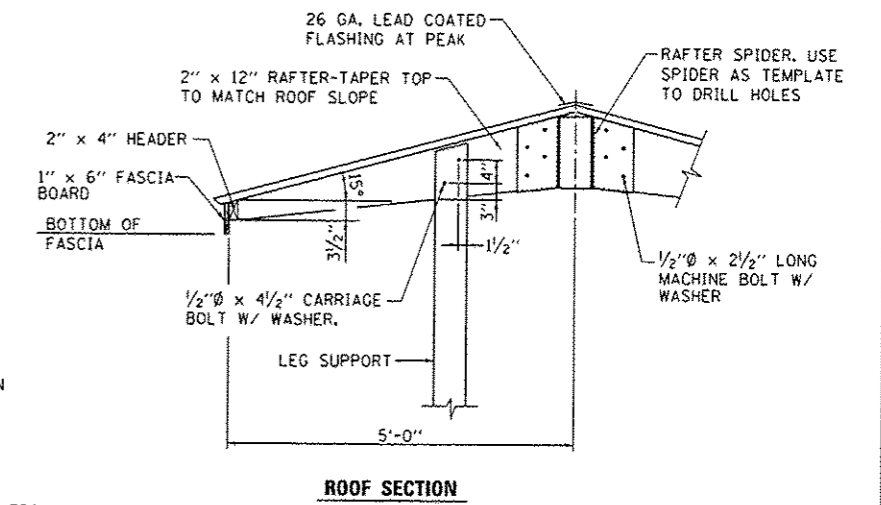


FRAMING PLAN

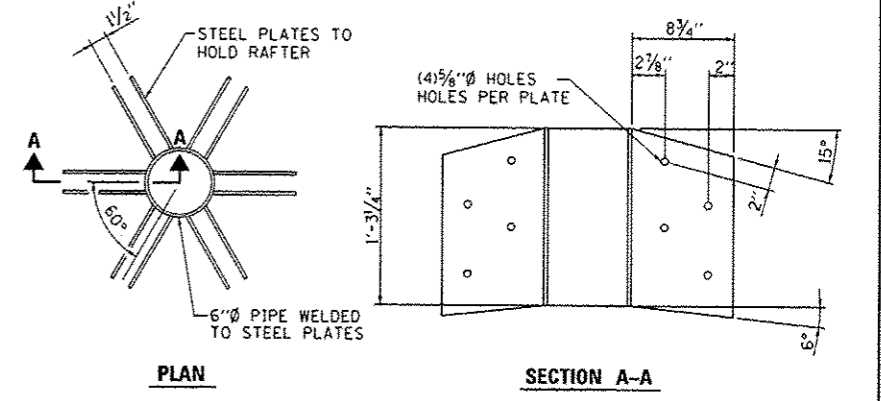


ELEVATION

GENERAL NOTES:
 1. PAINT ALL EXPOSED METAL PIECES AND STAIN ALL EXPOSED WOOD PER SPECIFICATION
 2. ALL WOOD #1 CCA TREATED SOUTHERN YELLOW PINE, EXCEPT AS NOTED.
 BF = 1650#
 CFPARA = 1750#
 CFPERP = 565#
 3. CONTRACTOR MAY OBTAIN METAL COMPONENTS IN A KIT OR FABRICATE FROM SHEET STOCK. SEE SPECIFICATION FOR COMPONENT DESCRIPTION.



ROOF SECTION



PLAN

SECTION A-A

RAFTER SPIDER DETAIL

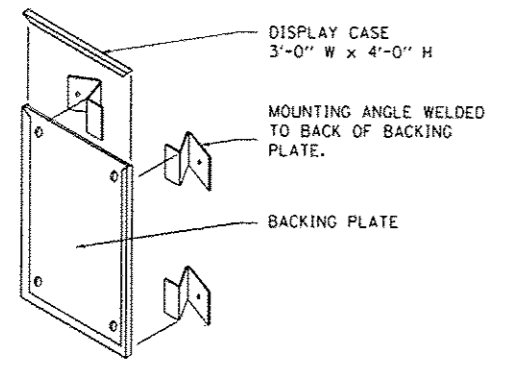
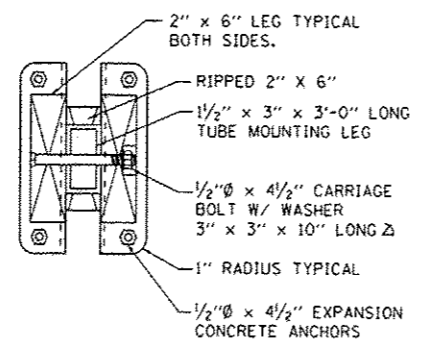
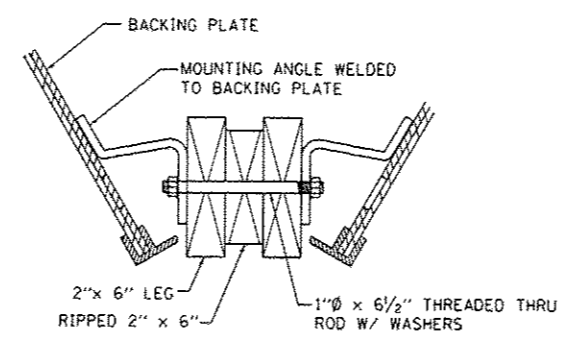


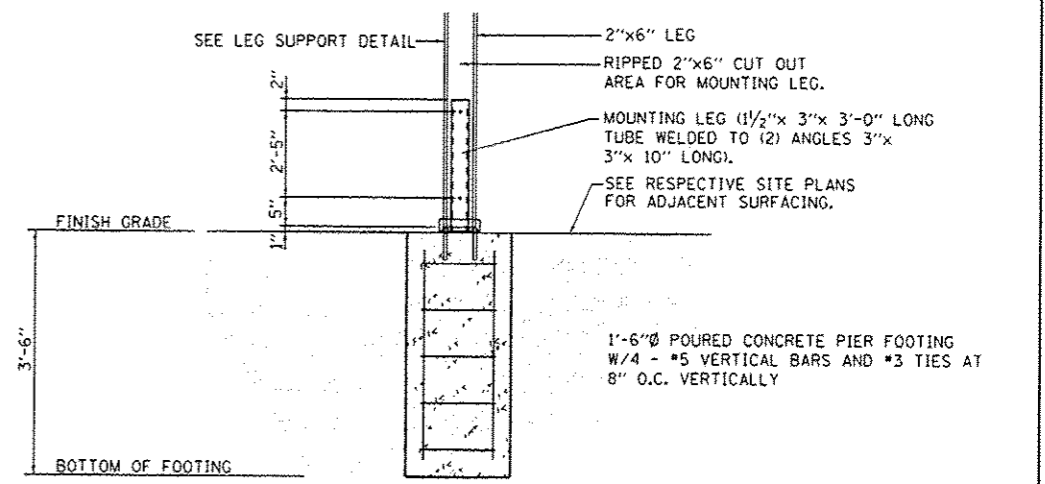
EXHIBIT PANEL DETAIL



LEG SUPPORT DETAIL



MOUNTING ANGLE TO LEG SUPPORT



FOOTING DETAIL

NOTE: CONTRACTOR SHALL OBTAIN AND VERIFY ALL DIMENSIONS AND CONDITIONS AT JOB SITE AND BE FULLY RESPONSIBLE FOR SAME.

FILE NAME :	USER NAME : Kristin Timmons	DESIGNED - KLT	REVISED -	STATE OF ILLINOIS DEPARTMENT OF TRANSPORTATION	3 SIDED KIOSK DETAILS ROCK ISLAND TRAIL STATE PARK			F.A. RTÉ.	SECTION	COUNTY	TOTAL SHEETS	SHEET NO.			
L:\DOT\1106610\WD.0\Draw\CADD\Sheets\MiscConstDetails_001.dgn		DRAWN - GLD	REVISED -												
Default		CHECKED - SPH	REVISED -												
		DATE - 2/1/2013	REVISED -												
				SCALE: N.T.S.	SHEET	OF	SHEETS	STA.	TO	STA.	CONTRACT NO. 46256				
ILLINOIS FED. AID PROJECT															