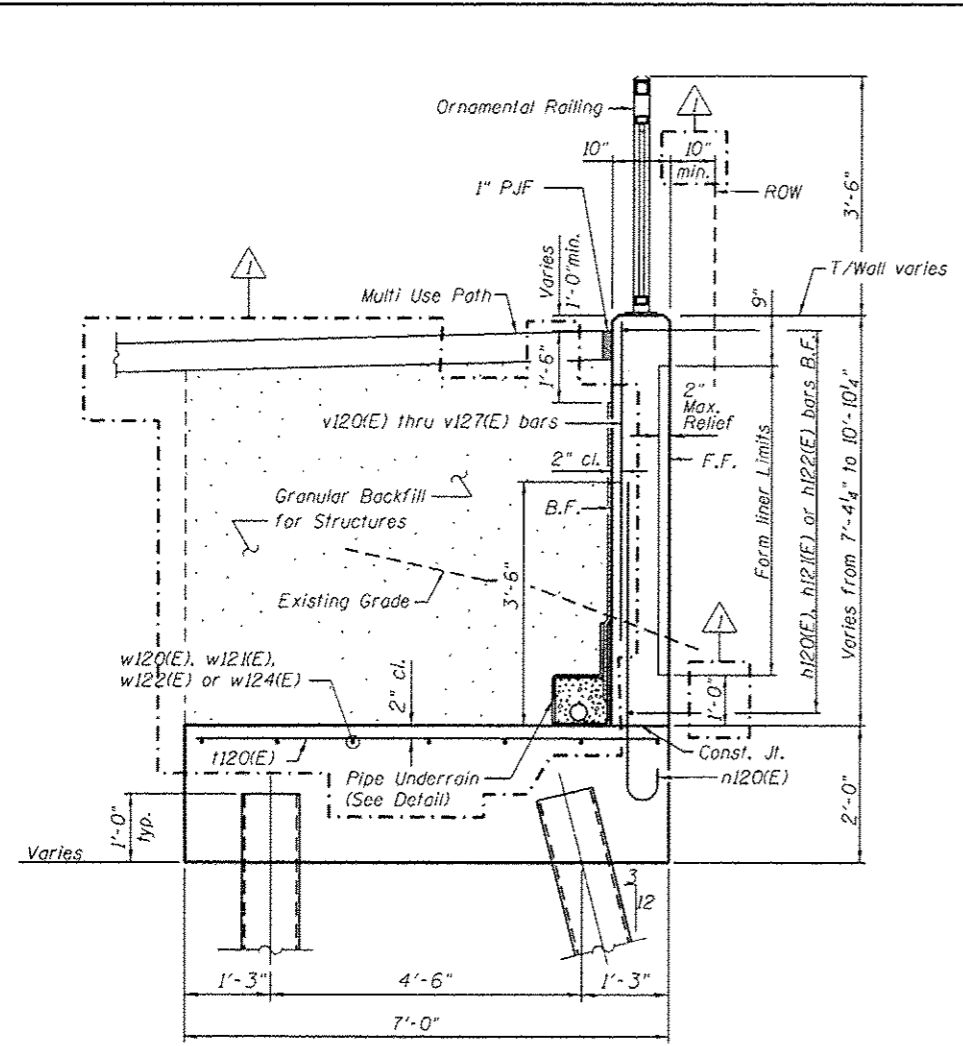
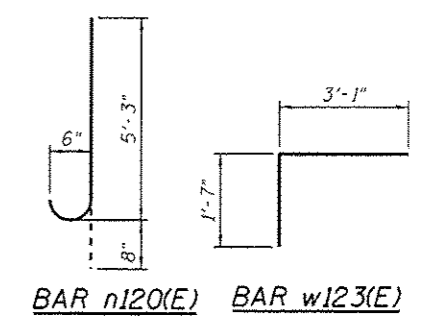
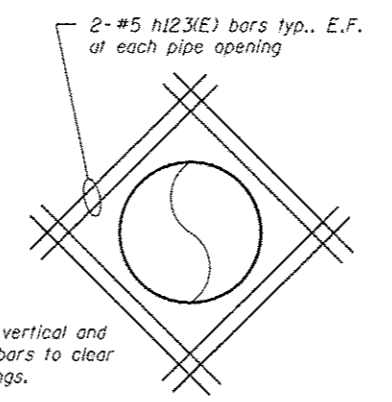


BILL OF MATERIAL

Bar	No.	Size	Length	Shape
h120(E)	40	#5	29'-8"	
h121(E)	95	#5	33'-1"	
h122(E)	11	#5	9'-2"	
h123(E)	32	#5	4'-2"	
n120(E)	872	#6	5'-11"	
v120(E)	31	#5	6'-9"	
v121(E)	92	#5	6'-10"	
v122(E)	93	#5	7'-2"	
v123(E)	31	#5	7'-6"	
v124(E)	62	#5	7'-9"	
v125(E)	31	#5	8'-2"	
v126(E)	71	#5	8'-10"	
v127(E)	31	#5	9'-2"	
i120(E)	505	#6	6'-8"	
w120(E)	16	#5	31'-6"	
w121(E)	72	#5	33'-0"	
w122(E)	16	#5	36'-1"	
w123(E)	32	#5	4'-8"	
w124(E)	8	#5	35'-10"	
Structure Excavation		Cu. Yd.	1.186	
Concrete Structures		Cu. Yd.	338.4	
Form Liner Textured Surface		Sq. Ft.	2,913	
Reinforcement Bars, Epoxy Coated		Pound	125,160	
Furnishing Metal Shell Piles 12" x 0.179"		Foot	3,332	
Driving Piles		Foot	3,332	
Test Pile Metal Shells		Each	4	
Geocomposite Wall Drain		Sq. Yd.	318	
Lightweight Cellular Concrete Fill		Cu. Yd.	1,438	
Granular Backfill for Structures		Cu. Yd.	645	
Ornamental Railing		Foot	430	
Pipe Underdrains for Structures 4"		Foot	430	

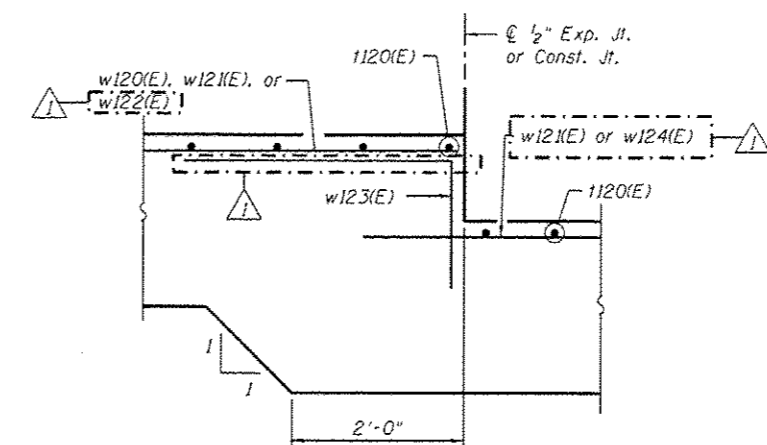


TYPICAL SECTION THRU WALL

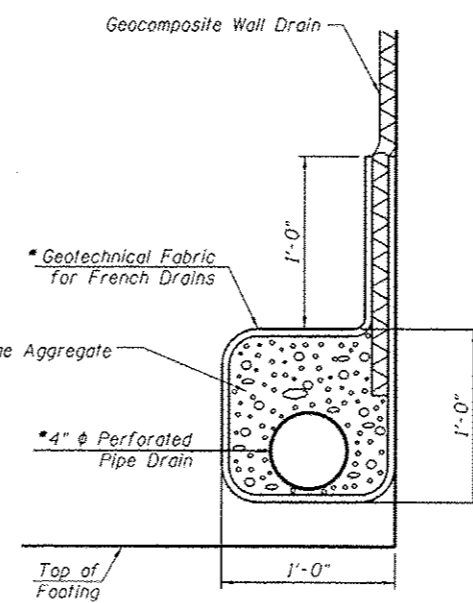


PIPE PENETRATION DETAIL

Note: Trim vertical and horizontal bars to clear pipe openings.

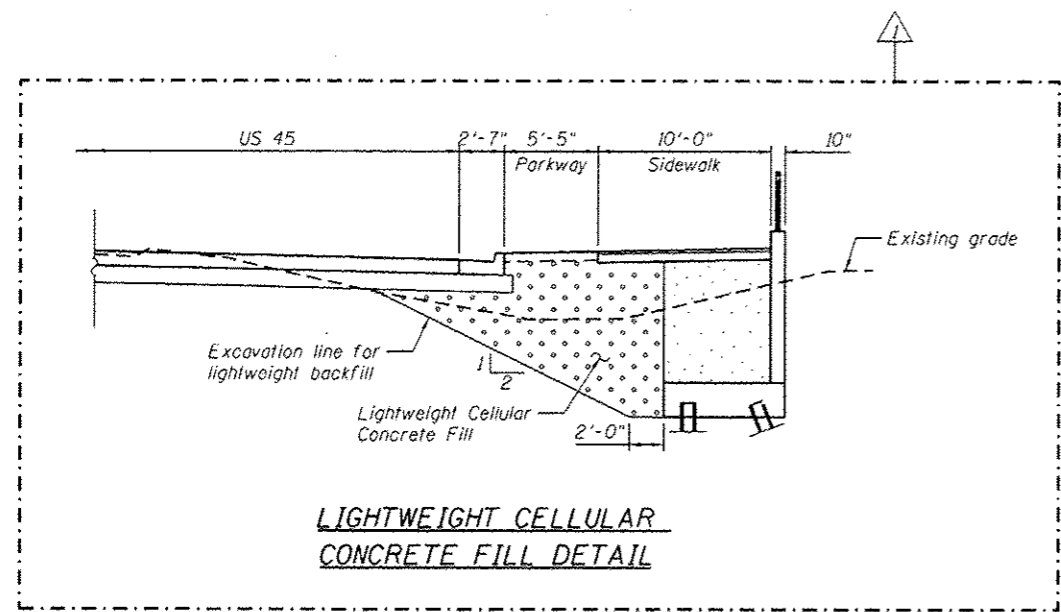


DETAIL 1



PIPE UNDERDRAIN DETAIL

* Included in the cost of "Pipe Underdrains for Structures 4".



LIGHTWEIGHT CELLULAR CONCRETE FILL DETAIL

PILE DATA

(Sta. 122+88.00 to 123+13.50 and Sta. 125+19.50 to 126+73.50)

Type : 12" Metal Shell Piles
 Nominal Required Bearing: 120 kips
 Allowable Resistance Available: 40 kips
 Est. Length: 24 ft (Vertical)
 Est. Length: 25 ft (Battered)
 No. Test Piles: 2

PILE DATA

(Sta. 123+13.50 to 125+19.50 and Sta. 126+73.50 to 127+19.00)

Type : 12" Metal Shell Piles
 Nominal Required Bearing: 120 kips
 Allowable Resistance Available: 40 kips
 Est. Length: 18 ft (Vertical)
 Est. Length: 19 ft (Battered)
 No. Test Piles: 2

URS
 420 S. WACKER DR.
 SUITE 500
 CHICAGO, IL 60606
 TEL (312) 939-0000
 FAX (312) 939-4188

FILE NAME : DIGR05-SHT-Wall1,12-7.dgn	USER NAME : arsan_khan	DESIGNED - MAI	REVISION - 04/12/2013 K.M.P.
		CHECKED - PMH	REVISION -
		DRAWN - MAI	REVISION -
		CHECKED - PMH	REVISION -
			REVISION -

STATE OF ILLINOIS
 DEPARTMENT OF TRANSPORTATION

RETAINING WALL NO. 12 - S.N. 016-2026
 STA. 122+88.00 TO 127+19.00

F.A.P. RTE. 330	SECTION 103R-3	COUNTY COOK	TOTAL SHEETS 932	SHEET NO. 576
			CONTRACT NO. 60F05	
ILLINOIS FED. AID PROJECT				

SHEET NO. 21 OF 41 SHEETS

Notes:
 Wall stations, offsets and dimensions are measured at front face of wall.
 All exposed corners shall have a 1" chamfer.
 For General Notes, Wall Key Plan and US 45 Profile, see Sheet 1.
 For Typical Wall Details and Ornamental Railing see Sheet 2.