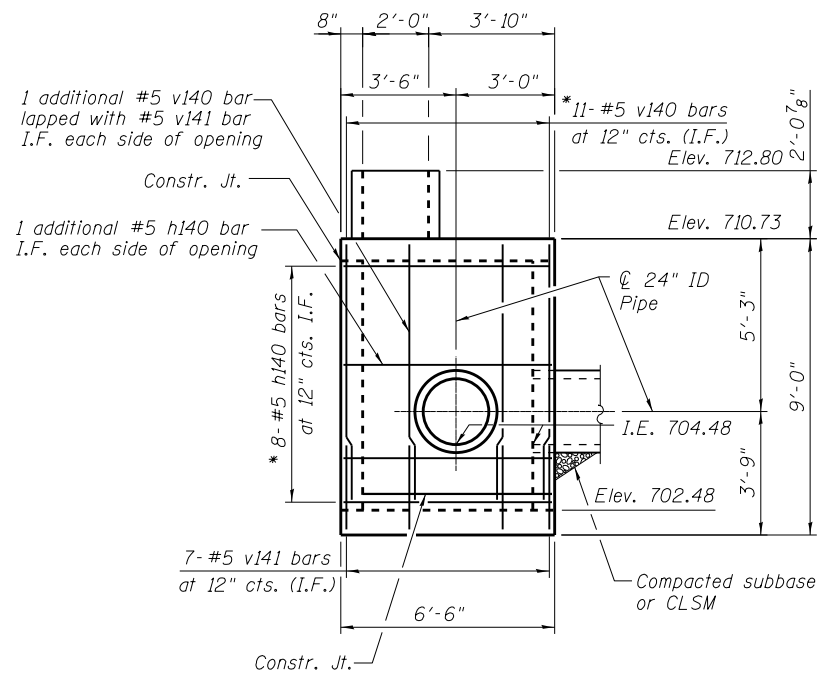


TOP PLAN

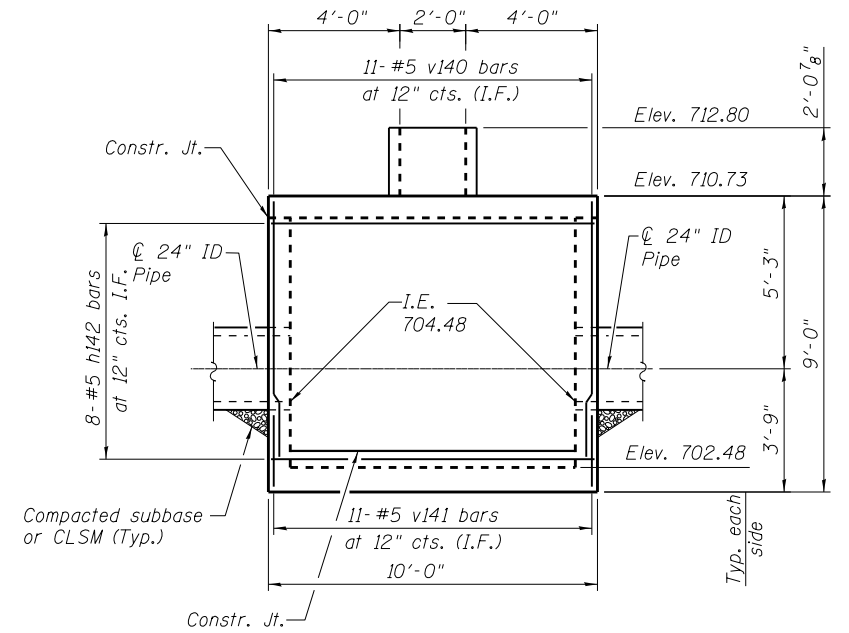


NORTH ELEVATION

(Looking South)

Additional bars around side openings not shown for clarity, see West elevation

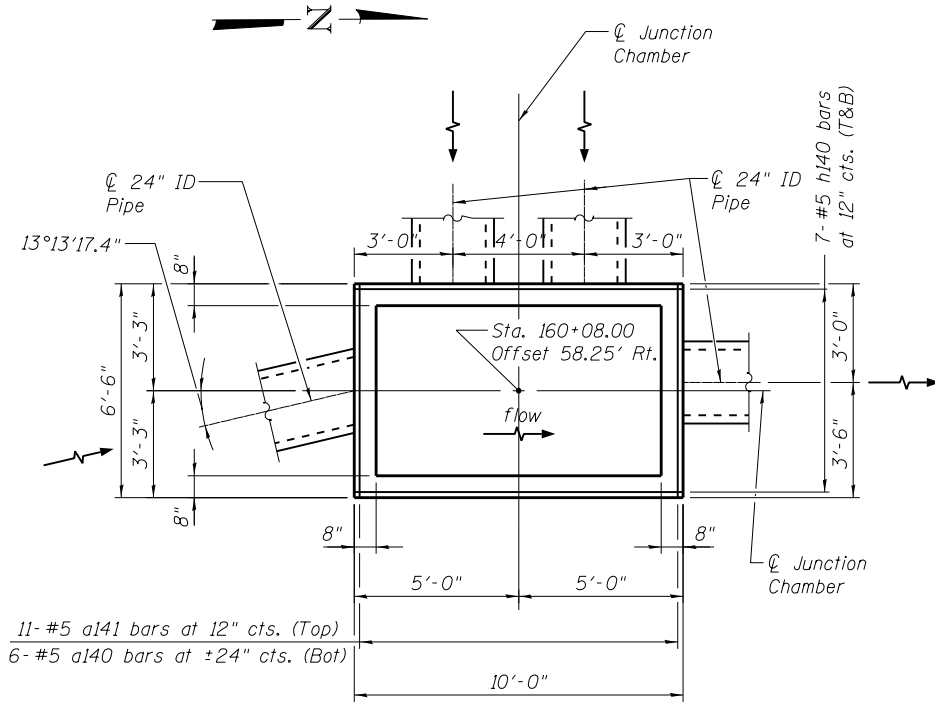
*Trim to fit around opening



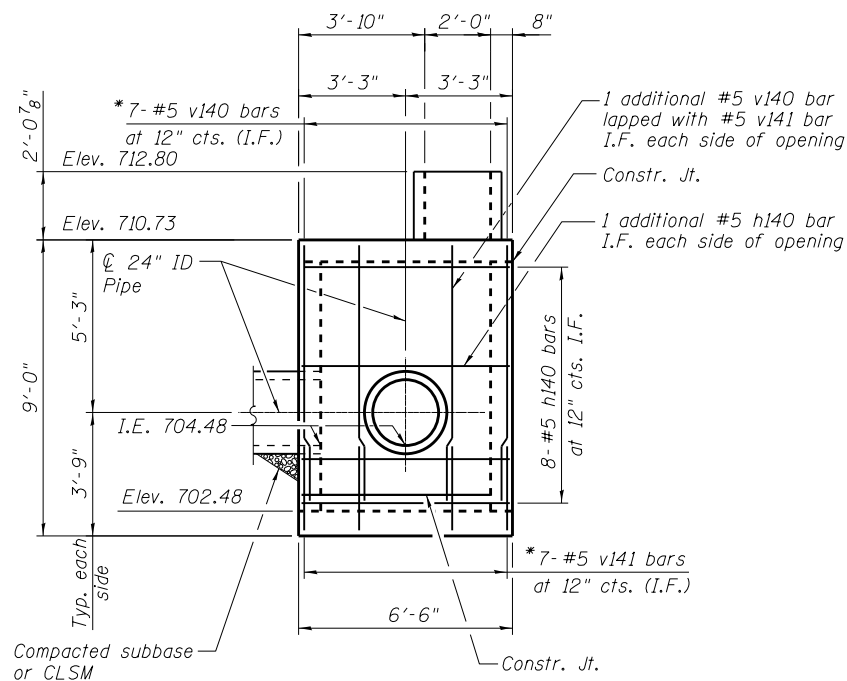
EAST ELEVATION

(Looking West)

Additional bars around side openings not shown for clarity, see North & South elevations



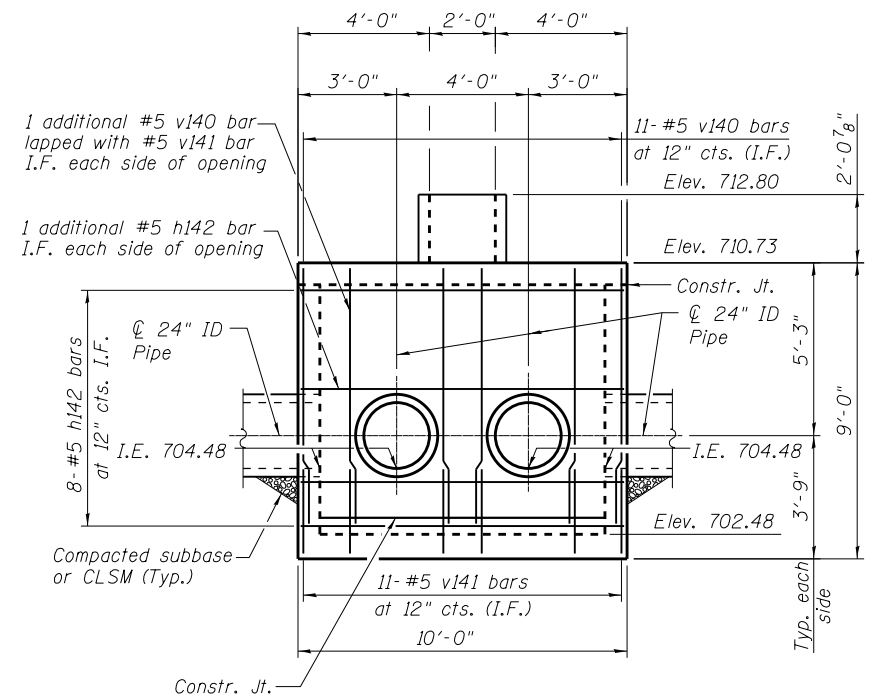
BOTTOM PLAN



SOUTH ELEVATION

(Looking North)

Additional bars around side openings not shown for clarity, see West elevation



WEST ELEVATION

(Looking East)

Additional bars around side openings not shown for clarity, see North & South elevations

FILE NAME =	USER NAME = Frank.Stallone	DESIGNED - PMH	REVISED -
D160F05-SHT-JCI-01.dgn		CHECKED -	REVISED -
	PLOT SCALE = 5.8333' / 1"	DRAWN - LS	REVISED -
	PLOT DATE = 3/14/2013	CHECKED -	REVISED -

F.A.P. RTE.	SECTION	COUNTY	TOTAL SHEETS	SHEET NO.
330	103R-3	COOK	932	353
DD-06		CONTRACT NO. 60F05		