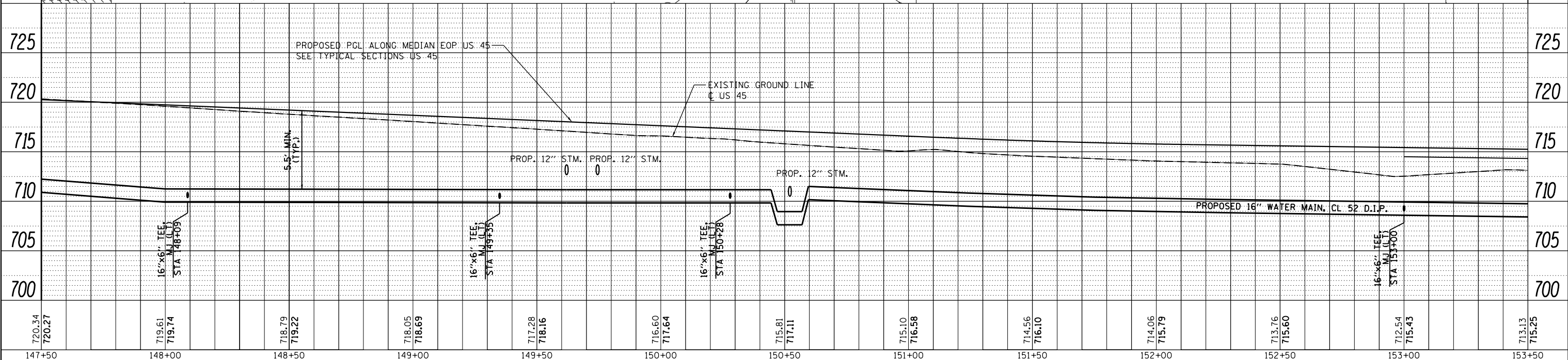
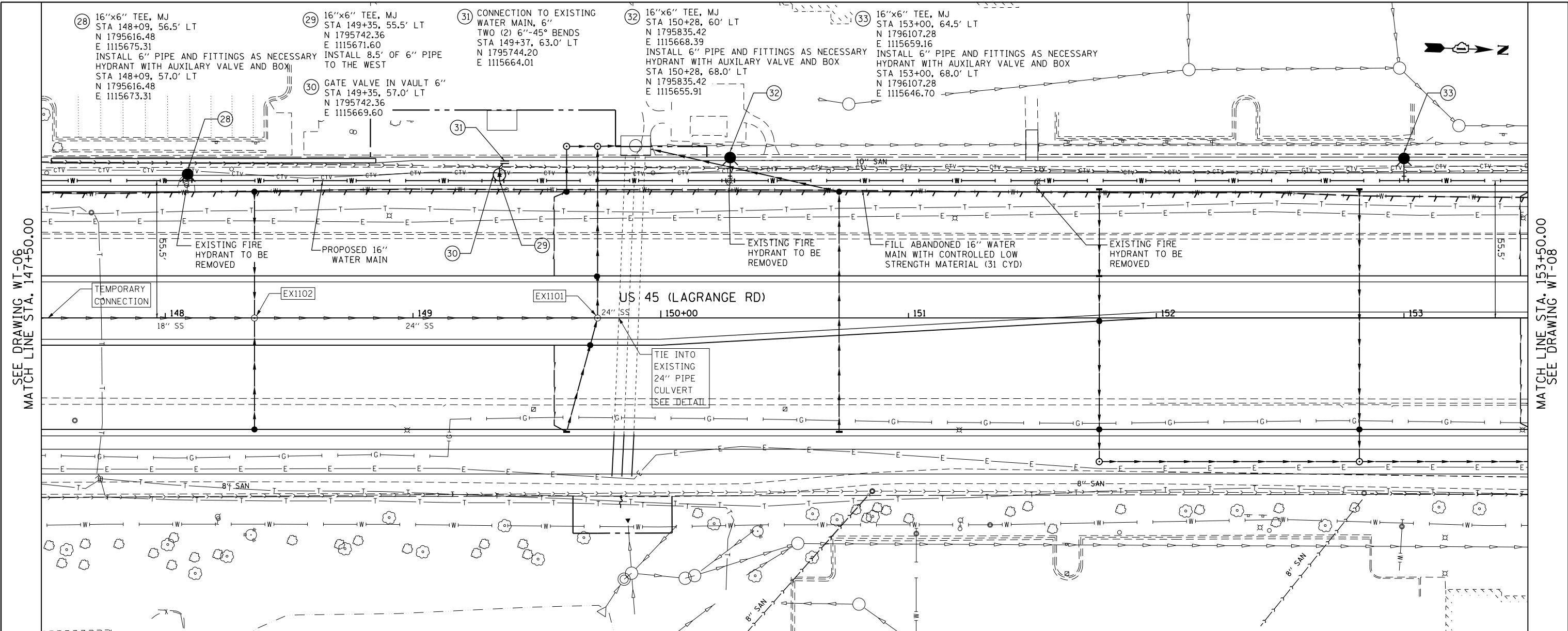


PLAN	SURVEYED	DATE
	PLOTTED	
	NOTED	
	CHECKED	
	FILED	
	NO.	

PROFILE	SURVEYED	DATE
	PLOTTED	
	NOTED	
	CHECKED	
	FILED	
	NO.	

100 S. WACKER DR.
SUITE 500
CHICAGO, IL 60606
TEL (312) 339-4000
FAX (312) 339-4088



FILE NAME =	USER NAME = Anthony.Plutz	DESIGNED - JTF	REVISED -	STATE OF ILLINOIS DEPARTMENT OF TRANSPORTATION	WATER MAIN - PROPOSED PLAN AND PROFILE US 45 (LAGRANGE ROAD)	F.A.P. RFE.	SECTION	COUNTY	TOTAL SHEETS	SHEET NO.
D160F05-SHT-WATER07.dgn		DRAWN - JTF	REVISED -			330	103R-3	COOK	932	362
PLOT SCALE = 40.0000' / in.		CHECKED - MJT	REVISED -			WT-07		CONTRACT NO. 60F05		
PLOT DATE = 3/9/2013		DATE - 03/13/13	REVISED -			SCALE: 1"=40'H; 1"=5' SHEET 7 OF 10 SHEETS STA. 147+50.00 TO STA. 153+50.00 ILLINOIS FED. AID PROJECT				