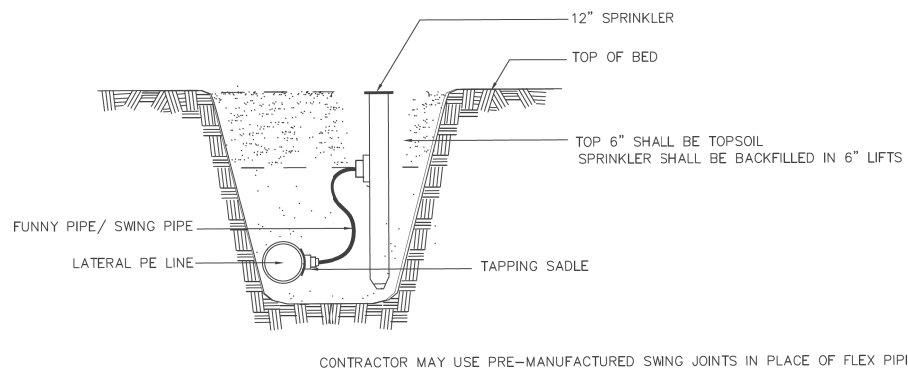


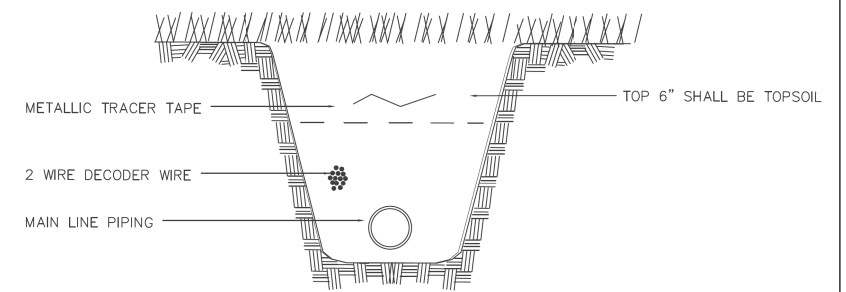
1 4" SPRAY HEAD- TURF

NO SCALE



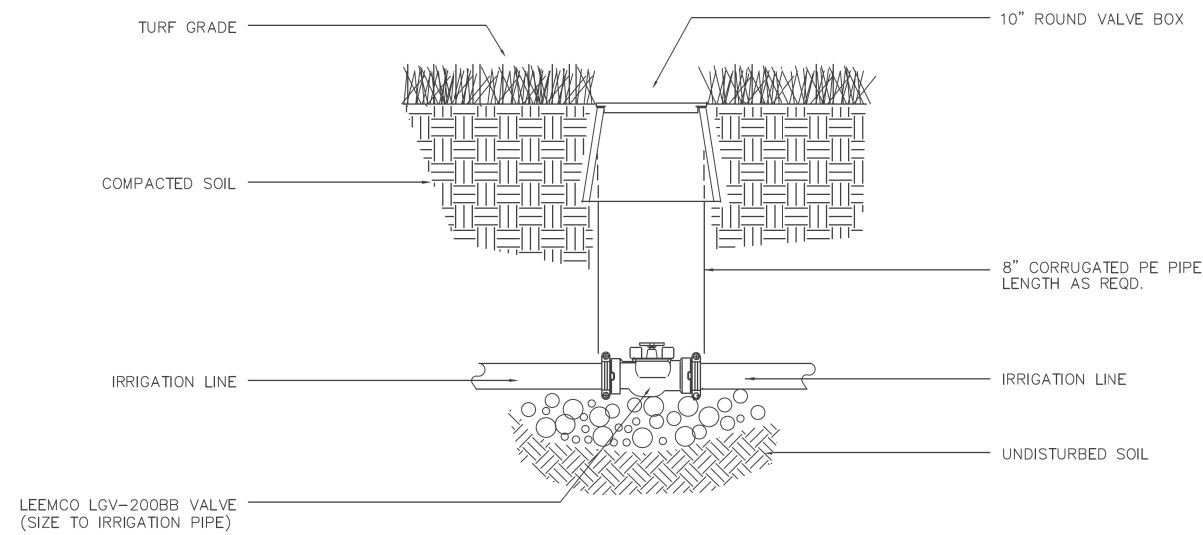
2 12" SPRAY HEAD- PLANTINGS

NO SCALE



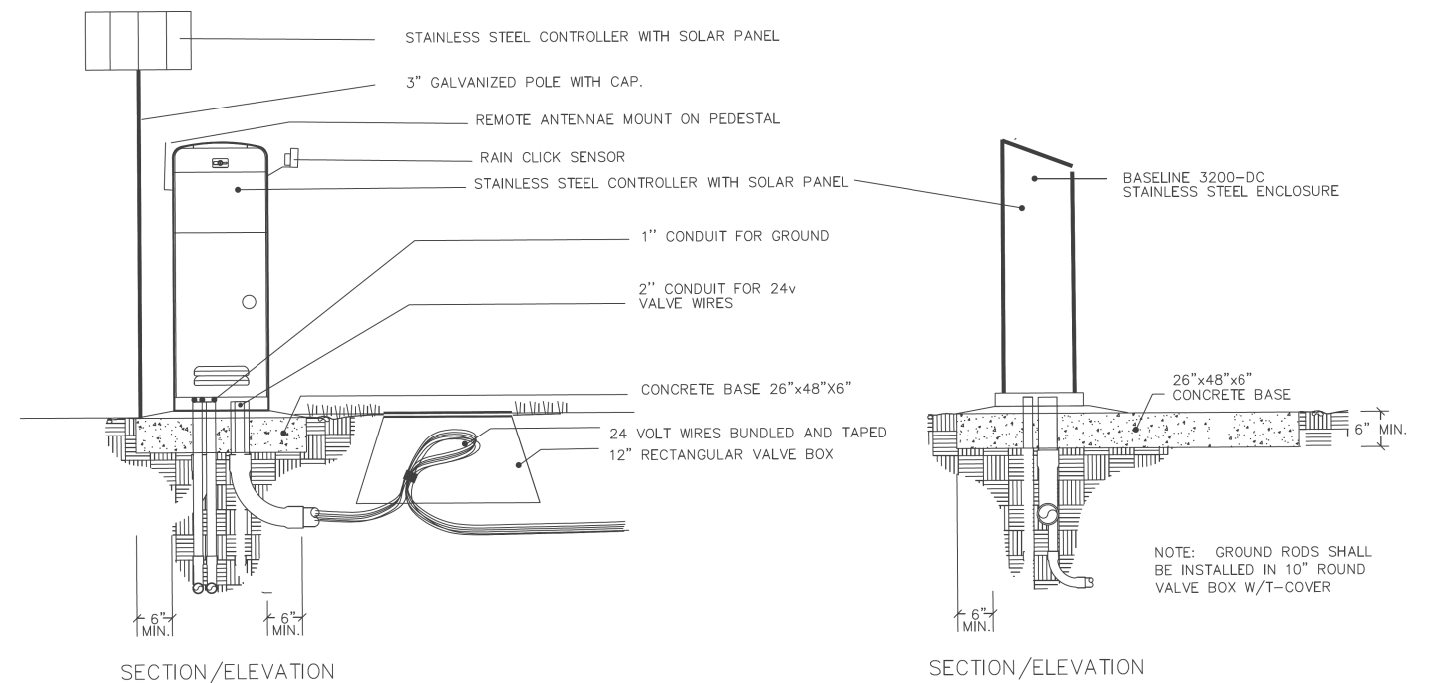
3 WIRE TRENCH

NO SCALE



4 ISOLATION VALVE 3" and SMALLER

NO SCALE



5 CONTROLLER MOUNT

NO SCALE

FILE NAME = LaGrangeRR_020413.dwg	USER NAME = jrossman	DESIGNED — AB	REVISED —
		DRAWN — JR	REVISED —
	PLOT SCALE = AS SHOWN	CHECKED — BM	REVISED —
	PLOT DATE = 11/26/2012	DATE — 03/13/13	REVISED —

F.A.P. RTE.	SECTION	COUNTY	TOTAL SHEETS	SHEET NO.
330	103R-3	COOK	932	450
IR-11		CONTRACT NO. 60F05		
ILLINOIS FED. AID PROJECT				