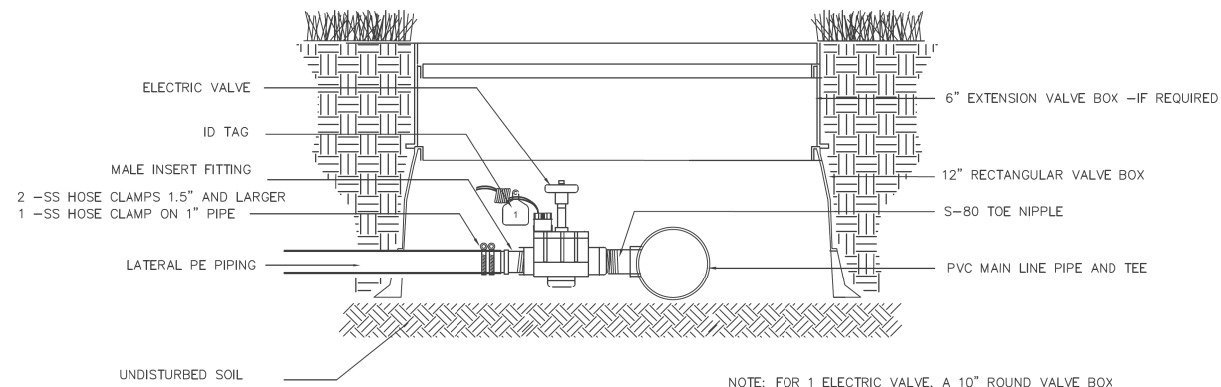


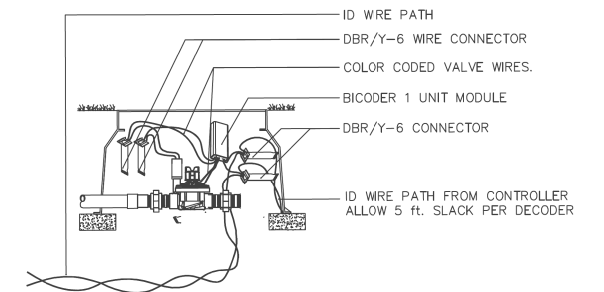
6 QUICK COUPLING

NO SCALE



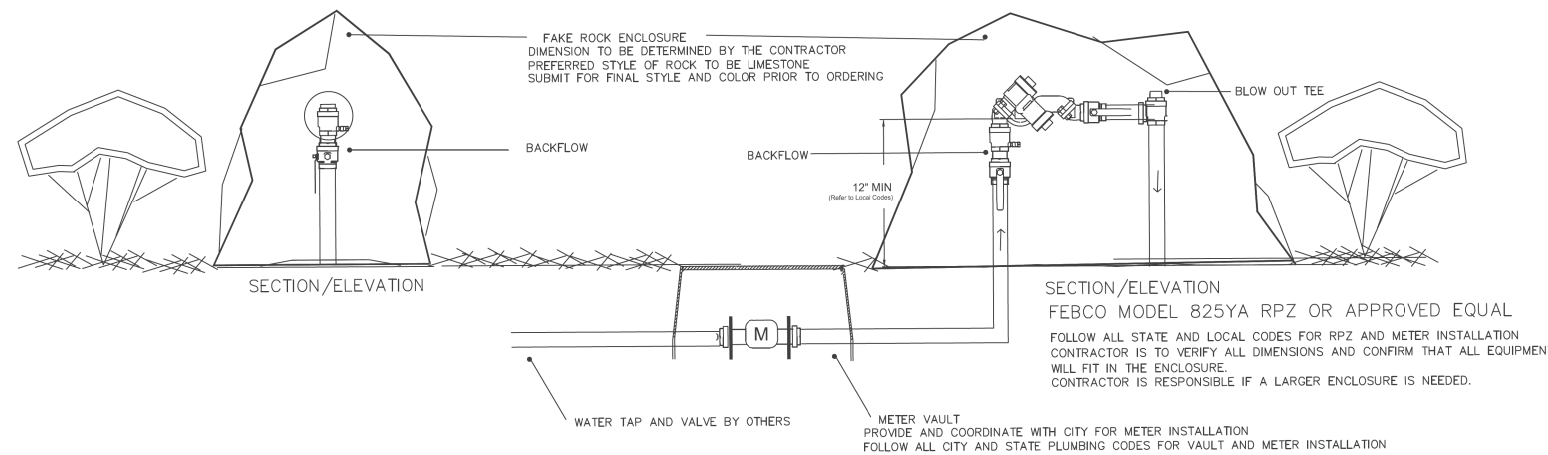
7 ELECTRIC VALVE - PE PIPE

NO SCALE



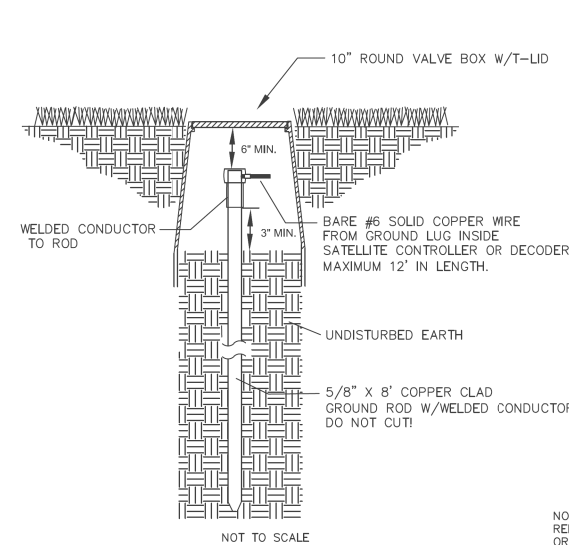
8 SINGLE DECODER SCHEMATIC

NO SCALE



9 BACKFLOW /METER ENCLOSURE

NO SCALE

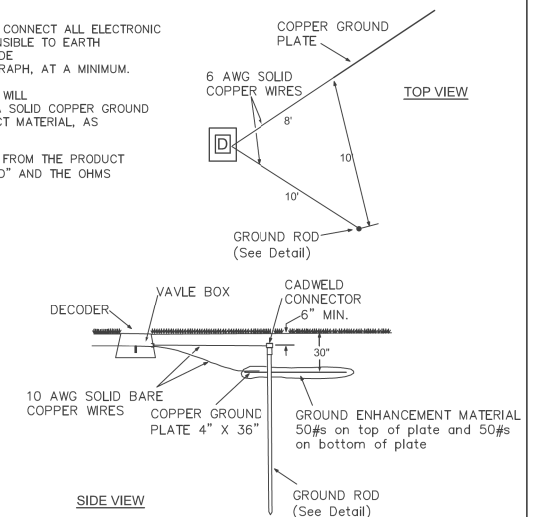


EARTH GROUNDING

IT IS THE RESPONSIBILITY OF THE INSTALLER TO CONNECT ALL ELECTRONIC IRRIGATION EQUIPMENT FOR WHICH HE IS RESPONSIBLE TO EARTH GROUND. GROUNDING COMPONENTS WILL INCLUDE THE ITEMS DESCRIBED IN THE FOLLOWING PARAGRAPH, AT A MINIMUM.

AT THE VERY MINIMUM, THE GROUNDING CIRCUIT WILL INCLUDE A COPPER CLAD STEEL GROUND ROD, A SOLID COPPER GROUND PLATE AND 100 POUNDS OF GEM EARTH CONTACT MATERIAL, AS DEFINED PER THE FOLLOWING DETAIL.

CONTRACTOR TO PROVIDE WRITTEN VERIFICATION FROM THE PRODUCT DISTRIBUTOR THAT THE GROUNDING WAS "MEGGED" AND THE OHMS ARE WITH IN THE ACCEPTABLE LIMITS.



NOTE: GROUNDING PLATE AND ALL OTHER RELATED MATERIALS BY PAIGE ELECTRIC CO. OR APPROVED EQUAL.

10 GROUNDING SCHEMATIC

NO SCALE

FILE NAME =	USER NAME = jrossman
LaGrangeRR_020413.dwg	

DESIGNED -- AB	REVISED --
DRAWN -- JR	REVISED --
CHECKED -- BM	REVISED --
DATE -- 03/13/13	REVISED --

DESIGNED -- AB	REVISED --
DRAWN -- JR	REVISED --
CHECKED -- BM	REVISED --
DATE -- 03/13/13	REVISED --

**STATE OF ILLINOIS
DEPARTMENT OF TRANSPORTATION**

**IRRIGATION DETAILS
US 45 (LAGRANGE ROAD)**

SCALE: AS SHOWN SHEET NO. 12 OF 12 SHEETS STA. 87+00.00 TO STA. 89+50.00

F.A.P. RTE.	SECTION	COUNTY	TOTAL SHEETS	SHEET NO.
330	103R-3	COOK	932	451
IR-12			CONTRACT NO. 60F05	
ILLINOIS FED. AID PROJECT				