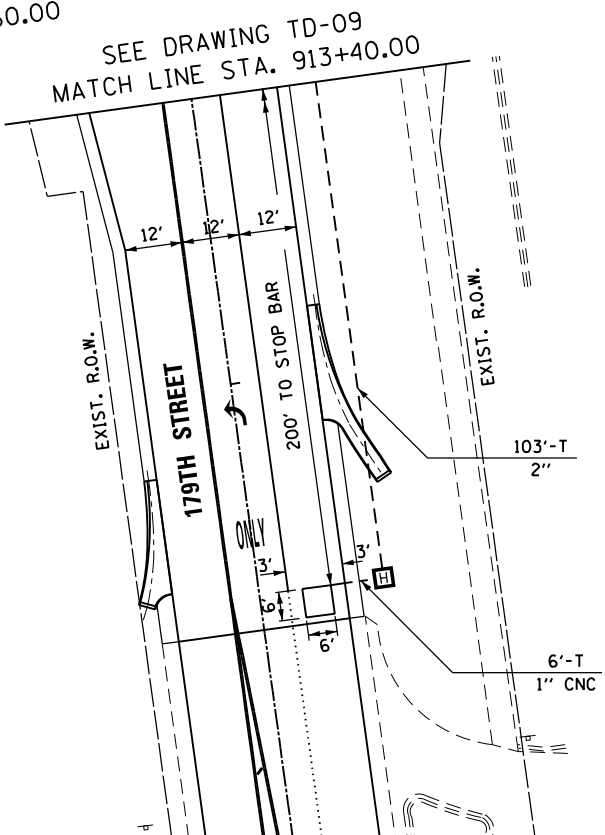
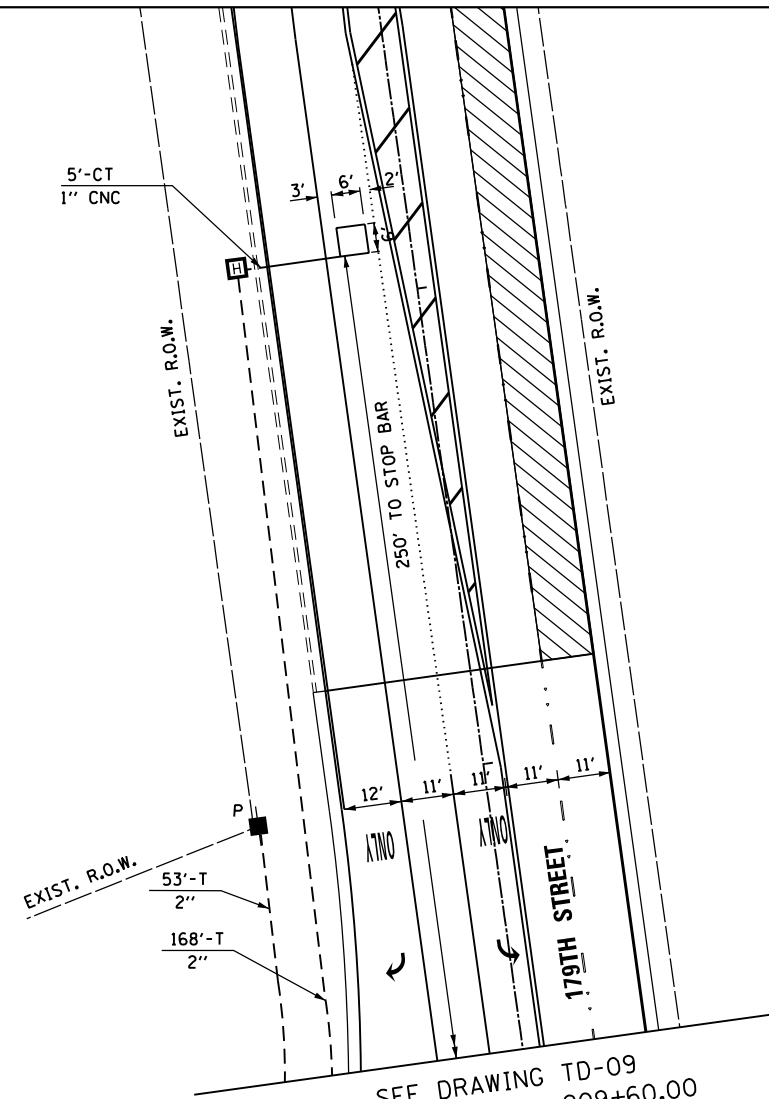
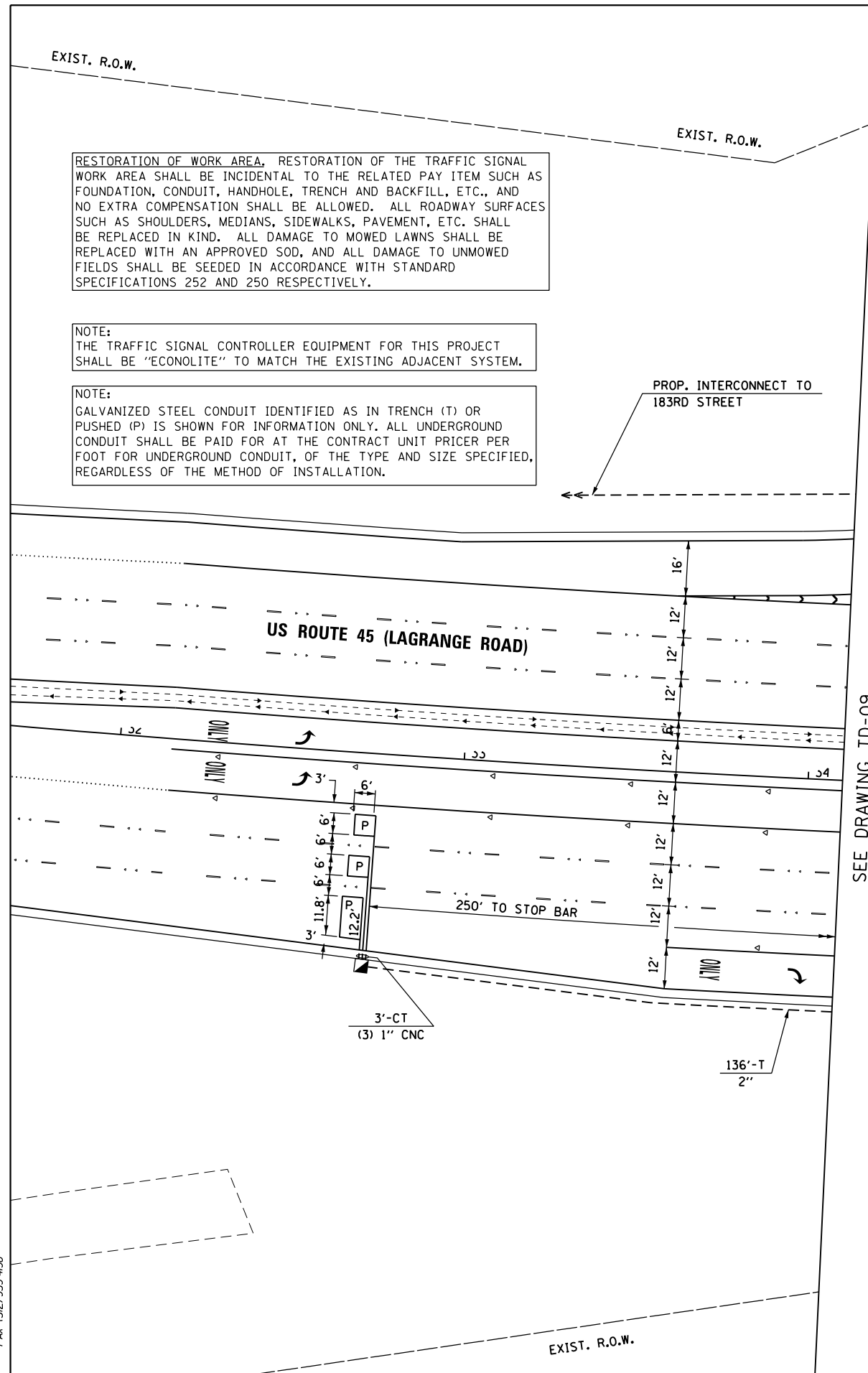


RESTORATION OF WORK AREA, RESTORATION OF THE TRAFFIC SIGNAL WORK AREA SHALL BE INCIDENTAL TO THE RELATED PAY ITEM SUCH AS FOUNDATION, CONDUIT, HANDHOLE, TRENCH AND BACKFILL, ETC., AND NO EXTRA COMPENSATION SHALL BE ALLOWED. ALL ROADWAY SURFACES SUCH AS SHOULDERS, MEDIANS, SIDEWALKS, PAVEMENT, ETC. SHALL BE REPLACED IN KIND. ALL DAMAGE TO MOWED LAWNS SHALL BE REPLACED WITH AN APPROVED SOD, AND ALL DAMAGE TO UNMOWED FIELDS SHALL BE SEEDED IN ACCORDANCE WITH STANDARD SPECIFICATIONS 252 AND 250 RESPECTIVELY.

NOTE:  
THE TRAFFIC SIGNAL CONTROLLER EQUIPMENT FOR THIS PROJECT SHALL BE "ECONOLITE" TO MATCH THE EXISTING ADJACENT SYSTEM.

NOTE:  
GALVANIZED STEEL CONDUIT IDENTIFIED AS IN TRENCH (T) OR PUSHED (P) IS SHOWN FOR INFORMATION ONLY. ALL UNDERGROUND CONDUIT SHALL BE PAID FOR AT THE CONTRACT UNIT PRICER PER FOOT FOR UNDERGROUND CONDUIT, OF THE TYPE AND SIZE SPECIFIED, REGARDLESS OF THE METHOD OF INSTALLATION.

PROP. INTERCONNECT TO 183RD STREET



SEE DRAWING TD-09  
MATCH LINE STA. 34+10.00

SEE DRAWING TD-09  
MATCH LINE STA. 909+60.00

SEE DRAWING TD-09  
MATCH LINE STA. 913+40.00

**GENERAL NOTES**

1. IT SHALL BE THE CONTRACTOR'S RESPONSIBILITY TO VERIFY ALL DIMENSIONS AND CONDITIONS EXISTING IN THE FIELD PRIOR TO ORDERING MATERIALS AND BEGINNING CONSTRUCTION. THIS SHALL INCLUDE LOCATING THE MAST ARM FOUNDATIONS AND VERIFYING THE MAST ARM LENGTHS.
2. THE EXACT LOCATION OF ALL UTILITIES SHALL BE FIELD VERIFIED BY THE CONTRACTOR BEFORE ORDERING ANY MATERIALS AND STARTING ANY WORK. FOR LOCATIONS OF UTILITIES, LOCALLY OWNED EQUIPMENT, LEASED ENFORCEMENT CAMERA SYSTEM FACILITIES AND IDOT UNDERGROUND FACILITIES, CONTACT THE LOCAL COUNTIES, MUNICIPALITIES AND IDOT FOR LOCATES. THE CONTRACTOR SHALL CALL 'JULIE' AT (800) 892-0123 OR 811, IN THE CITY OF CHICAGO CONTACT DIGGER AT (312) 744-7000 FOR FIELD LOCATIONS OF BURIED UTILITIES (48 HOUR NOTIFICATION REQUIRED).
3. THE CONTRACTOR SHALL CHECK THE PROPOSED TRAFFIC SIGNAL EQUIPMENT LOCATIONS FOR OVERHEAD UTILITY CONFLICTS. THE CONTRACTOR SHALL COORDINATE ANY CONFLICTS WITH THE UTILITY COMPANIES AND THE RESIDENT ENGINEER BEFORE ORDERING MATERIALS.
4. THE CONTRACTOR SHALL COORDINATE CONSTRUCTION ACTIVITIES WITH UTILITY COMPANIES, LOCAL GOVERNMENT AGENCIES AND IDOT.



FILE NAME = D160F05-SHT-TD10.dgn	USER NAME = Frank.Stallone	DESIGNED - MRF	REVISED -
SHT.PLAN	PLOT SCALE = 40.0000' / in.	DRAWN - MRF	REVISED -
	PLOT DATE = 3/14/2013	CHECKED - MJL	REVISED -
		DATE - 03/13/13	REVISED -

**STATE OF ILLINOIS  
DEPARTMENT OF TRANSPORTATION**

**TRAFFIC SIGNAL INSTALLATION PLAN  
US 45 (LAGRANGE ROAD) AND 179TH STREET**

SCALE: 1"=20' SHEET 2 OF 2 SHEETS STA. TO STA.

F.A.P. RTE.	SECTION	COUNTY	TOTAL SHEETS	SHEET NO.
330	103R-3	COOK	932	470
<b>TD-10</b>			<b>CONTRACT NO. 60F05</b>	
ILLINOIS FED. AID PROJECT				