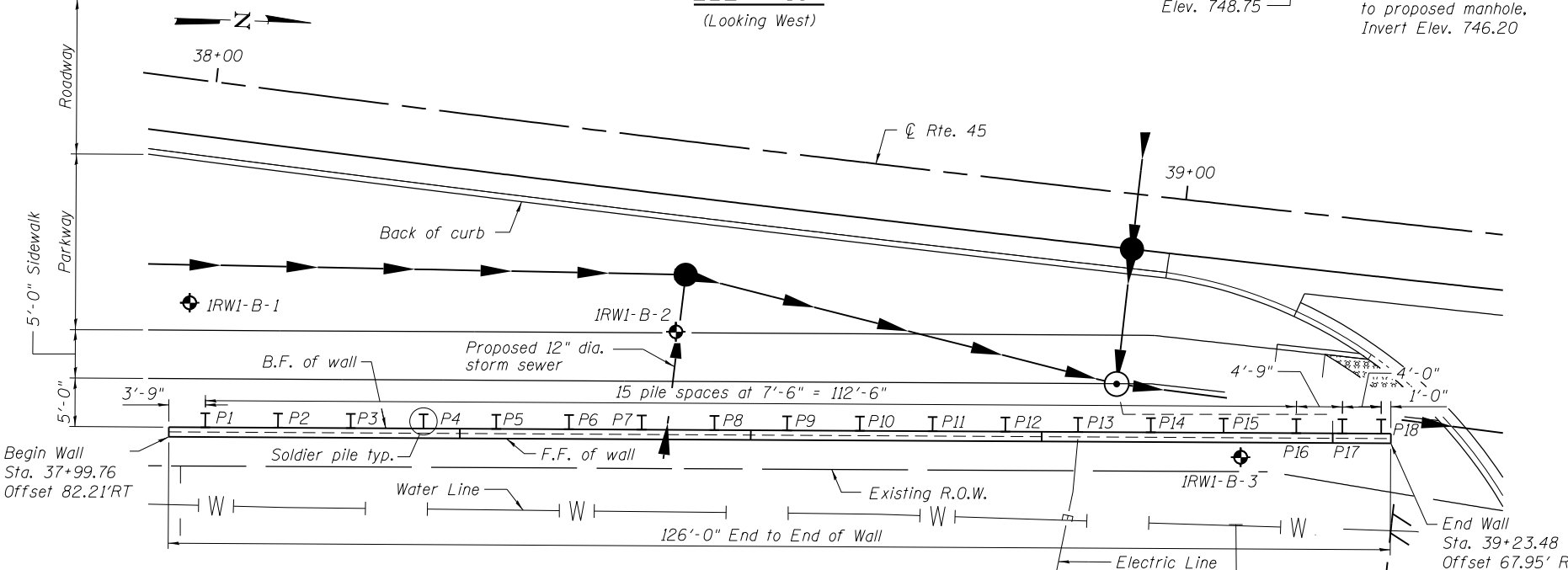
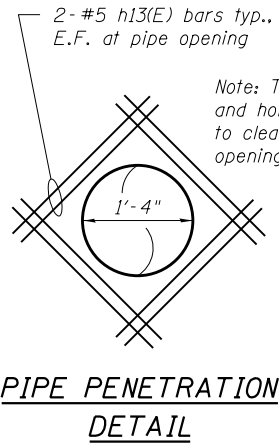


ELEVATION
(Looking West)



PLAN

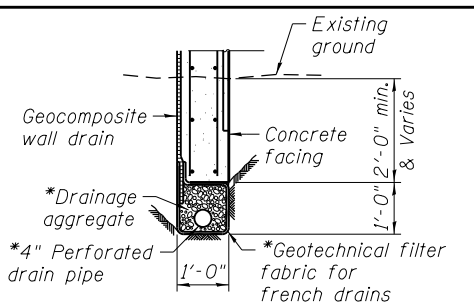


PIPE PENETRATION DETAIL

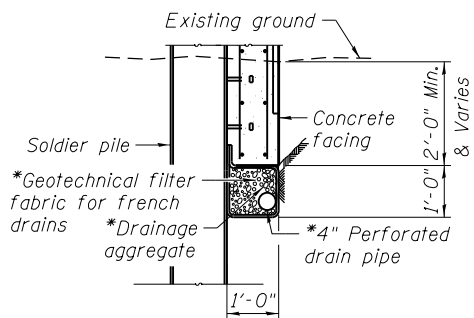
Bar	A	B	C	D	N
v10(E)	3'-4"	4'-4"	3'-4"	4'-4"	31
v11(E)	4'-4"	5'-3"	4'-4"	5'-3"	31
v12(E)	5'-3"	6'-5"	5'-3"	6'-5"	31
v14(E)	4'-1"	6'-3"	4'-1"	6'-3"	7

BAR CUTTING DIAGRAM

Order v(E) bars full length. Cut as shown and use remainder of bars in opposite face.



BETWEEN SOLDIER PILES



AT SOLDIER PILES

* Included in the cost of Pipe Underdrain for Concrete Structures

PIPE UNDERDRAIN DETAIL

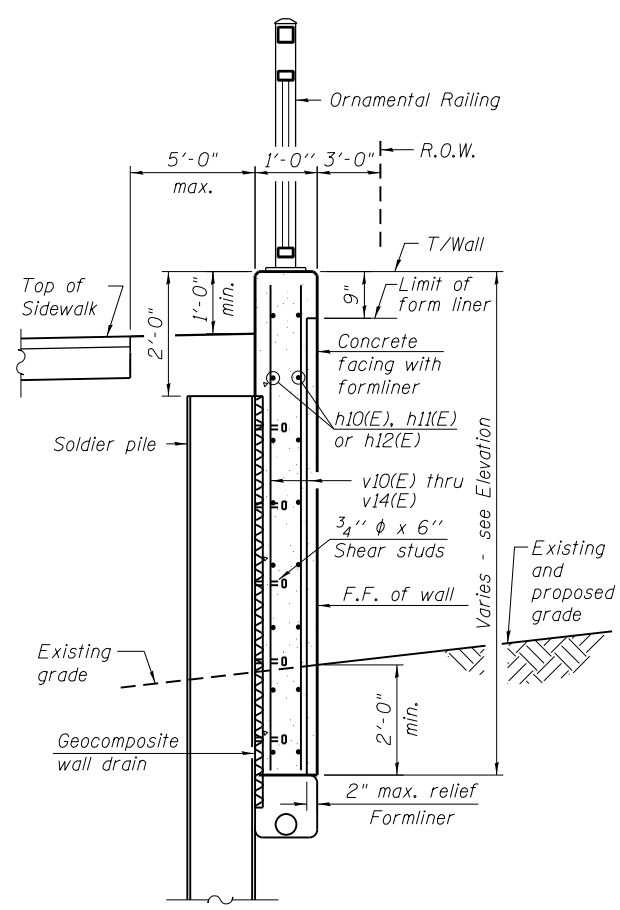
BAR LAPS

#5 bars - 2'-7" (Basic Lap)
#5 bars - 2'-11" (Top Bar Lap)

SOLDIER PILE SCHEDULE

Pile	Size	Top Elev.	Bot. Elev.	Length	Studs
P1	HP12x53	751.01	736.12	14.88	2.00
P2	HP12x53	751.20	736.06	15.14	3.00
P3	HP12x53	751.39	735.99	15.40	3.00
P4	HP12x53	751.58	735.92	15.67	3.00
P5	HP12x53	751.78	735.85	15.93	3.00
P6	HP12x53	751.97	735.78	16.19	4.00
P7	HP12x53	752.16	735.71	16.45	4.00
P8	HP12x53	752.35	735.64	16.71	4.00
P9	HP12x53	752.55	735.57	16.97	4.00
P10	HP12x53	752.74	735.50	17.24	5.00
P11	HP12x53	752.93	735.43	17.50	5.00
P12	HP12x53	753.12	735.36	17.76	5.00
P13	HP12x53	753.09	735.19	17.90	5.00
P14	HP12x53	752.83	734.92	17.91	5.00
P15	HP12x53	752.57	734.64	17.93	5.00
P16	HP12x53	752.31	734.37	17.94	5.00
P17	HP12x53	751.98	734.45	17.53	5.00
P18	HP12x53	751.17	735.31	15.86	3.00

SECTION THRU DRIVEN SOLDIER PILE WALL



BILL OF MATERIAL

Bar	No.	Size	Length	Shape
h10(E)	40	#5	32'-11"	
h11(E)	16	#5	29'-8"	
h12(E)	16	#5	5'-8"	
h13(E)	16	#5	2'-6"	
v10(E)	31	#5	7'-8"	
v11(E)	31	#5	9'-7"	
v12(E)	31	#5	11'-8"	
v13(E)	62	#5	6'-5"	
v14(E)	7	#5	10'-4"	
Structure Excavation			Cu. Yd.	75
Concrete Structures			Cu. Yd.	26.3
Form Liner Textured Surface			Sq. Ft.	615
Stud Shear Connectors			Each	73
Reinforcement Bars, Epoxy Coated			Pound	3,440
Geocomposite Wall Drain			Sq. Yd.	38
Driving Soldier Piles			Foot	303
Ornamental Railing			Foot	126
Furnishing Soldier Piles (HP Section)			Foot	303
Pipe Underdrains for Structures			Foot	152

Bars indicated thus 3x2-#5 etc. indicates 3 lines of bars with 2 lengths per line.

LEGEND

- ① - Panel No.
- ◆ - Soil Boring
- F.F. - Front Face
- B.F. - Back Face
- E.F. - Each Face

NOTES:

1. Wall stations, offsets and dimensions are measured at front face of wall.
2. All exposed corners shall have a 1" chamfer.
3. For General Notes, Wall Key Plan and US 45 Profile see Sheet 1.
4. For Typical Wall Details and Ornamental Railing see Sheet 2.
5. For storm drain details see drainage drawings.
6. The Contractor is responsible for the design and performance of the lagging using no less than a 3 in. nominal rough-sawn thickness and timber with a minimum allowable bearing stress of 1000 psi.